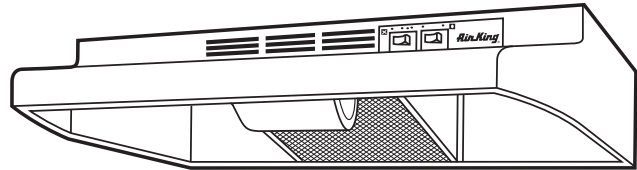




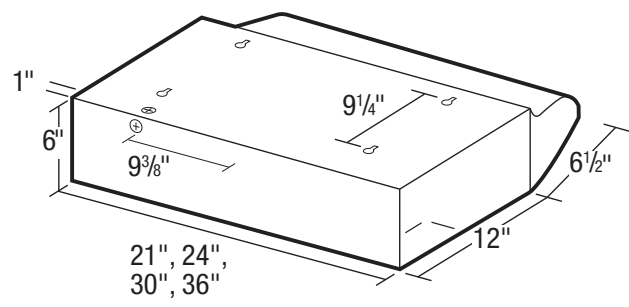
SPECIFICATIONS  
**AD SERIES**  
 DUCTLESS RANGE HOODS

**Advantage Series Ductless Range Hood**

- Dimensions**  
 Overall bottom projection - 18 1/2"  
 Overall top projection - 12"  
 Height - 6"  
 Available widths: 21", 24", 30" & 36"
- Hood Body**  
 Stainless Steel: 24 gauge, grade 430 stainless steel.  
 Painted: 23 gauge cold rolled commercial grade (CRCQ) steel, auto welded, coated with a baked enamel finish.
- Motor**  
 2 speed, single coil, thermally protected, permanently lubricated.  
 Rated 120 volts, 60 hz., 0.7 amps. Complete with 105°C lead wires.
- Lighting**  
 Single 60 watt cook light capacity (bulb not included).
- Ducting Options**  
 Ductless - combination grease/charcoal filter included. (Model RF55)
- Fan Blade**  
 One piece polymeric, electronically balanced blade. 6 1/8" diameter with 3 paddles.
- Electrical connection**  
 Hood top - 7/8" knockout hole for use with 1/2" cable clamp  
 Hood back - 7/8" knockout hole for use with 1/2" cable clamp
- Filters**  
 UL rated, class 2 filter.  
 Combo Grease/Charcoal: RF55 - 8 7/8"x10 3/8" (included).
- Available Finishes**  
 White, Biscuit, Almond, Black & Stainless Steel.



**AD SERIES**



<b>PROJECT</b>							<b>ARCHITECT</b>		
<b>LOCATION</b>							<b>ENGINEER</b>		
<b>CONTRACTOR</b>							<b>SUBMITTED BY</b>		<b>DATE</b>
FAN NUMBER	MODEL NUMBER	CFM	IN W.C.	RPM	WATTS	AMPS	SONES	QTY	OPTIONAL EQUIPMENT & REMARKS



**Air King:** 820 Lincoln Avenue  
 West Chester, Pennsylvania 19380-4466  
 Tel: (610) 692-7400 • 877-304-3785  
 Fax: (610) 696-8048

**Canada:**  
 Brampton, Ontario  
 Tel: 905-456-2033  
 Fax: (905) 456-1015