



SPECIFICATIONS

AKV

EXHAUST FAN



100 CFM/2.0 Sones @ 0.10" SP.
82 CFM @ 0.25 SP.
80 CFM/1.0 Sones @ 0.10" SP.
66 CFM @ 0.25 SP.

50 CFM/0.3 Sones @ 0.10" SP.
37 CFM @ 0.25 SP.
30 CFM/<0.3 Sones @ 0.10" SP.
15 CFM @ 0.25 SP.

Grill

White, polymeric grill secured in place with torsion springs; easily removed if necessary, dimensions - 11" x 13 3/4".

Blower Wheel

One piece polymeric centrifugal blower wheel, 5 1/4" diameter, 2 7/8" wide, with 30 paddles.

Adjustable Capacity Motor

4 capacity settings allow the fan to be set to the required exhaust rate. Dial in capacity knob to meet air balancing requirements. Speed set points include: 30 50 80 & 100 CFM

Heavy duty, permanently split capacitor, plug-in, 4 pole motor, life time lubrication, suitable for continuous operation. Rated 120 volts, 60 hz.

Fan Housing

24 gauge galvanized steel housing. Dimensions: 10 7/8" x 9 3/8" x 7 7/8".

Duct Collar

Plastic collar for 4" duct connection, comes complete with built in non-metallic back draft damper for quiet operation.

Ventilating Area

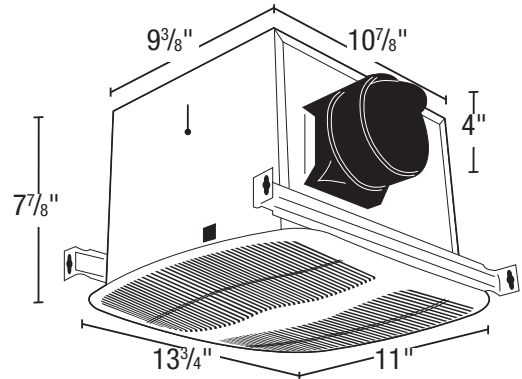
For bathrooms up to 100 sq. ft. For other rooms up to 125 sq. ft.

Electrical Connections

1/2" electrical knockouts provided.

Single Pack Shipping Info

Box Dim Box Dim: 15 15/16" x 14 7/16" x 9 7/8"
Shipping Weight: 12 lbs.



Acceptable for use over tub or shower when installed in a GFCI protected branch circuit.



Unit Mounting

The housing will mount in ceilings with at least 8" of clearance and through drywall thickness up to 3/4", with a rough-in opening of 11 1/8" x 9 5/8". The housing will mount either between 16" or 24" on center joists, using the 4 supplied housing mounting rails. The housing mounting rails can be adapted for overhead mounting (hardware not provided).

PROJECT							ARCHITECT			
LOCATION							ENGINEER			
CONTRACTOR							SUBMITTED BY		DATE	
FAN NUMBER	MODEL NUMBER	CFM	IN W.G.	RPM	WATTS	AMPS	SONES	QTY	OPTIONAL EQUIPMENT & REMARKS	



U.S.: 820 Lincoln Avenue
West Chester, Pennsylvania 19380-4466
Tel: (610) 692-7400 • 877-304-3785
Fax: (610) 696-8048

Canada:
Brampton, Ontario
Tel: 905-456-2033
Fax: (905) 456-1015