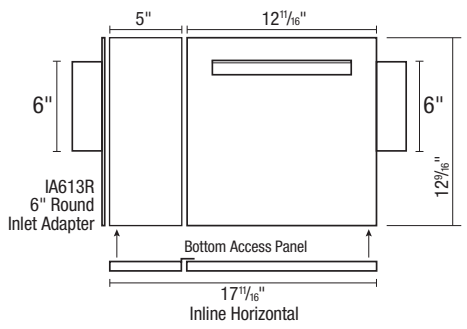
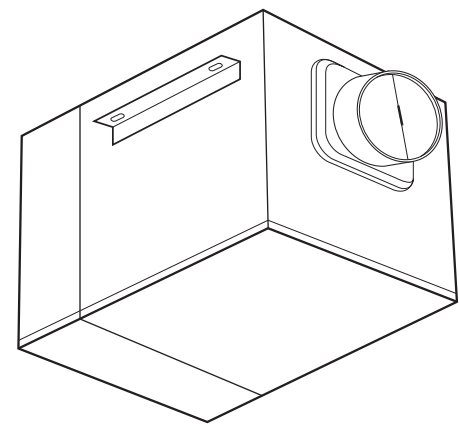




SPECIFICATIONS  
**FAKZA290**  
 FRESH AIR SUPPLY KIT

**AKZA290 Fan**  
**270 CFM @ 0.20" SP., 72 Watts**



- **Blower Wheel**  
 Balanced polymeric dual inlet blower wheel secured in place using a hex nut.
- **Motor**  
 Enclosed 4 pole high efficiency, permanently split capacitor motor (PSC); life time lubrication, suitable for continuous operation. Motor bearings - sleeve. Rated 115/120 volts, 60 Hz.
- **Fan Housing**  
 23 gauge galvanized steel housing with 1" thermal & acoustical insulation and a removable quick release bottom access panel for servicing. Overall dimensions: 12<sup>11/16</sup>"W x 13<sup>1/16</sup>"D x 13<sup>9/16</sup>"H.
- **Duct Collar**  
 6" round, zinc plated metal collar adapter. Gasketed, spring loaded aluminum backdraft damper.  
**Model IA613R** 6" round, zinc plated metal inlet collar adapter included with kit.
- **Electrical Connections**  
 0.5" electrical knockouts provided. Easy wiring access via either internal or external wiring compartment cover.
- **Unit Mounting**  
 2 supplied housing mounting angles. The housing mounting angles can be adapted for inline or top discharge mounting (hardware not provided).

- **Kit Contents**  
 1 - AKZA290 Fan  
 1 - 6" Inlet Adapter  
 1 - FB13 Filter Box  
 1 - Quick Release Bottom Access Panel

EXPANDED PERFORMANCE											
	Static Pressure (inches of w.g.)							Sones @ 0.1 SP	Fan Speed RPM	Maximum Fan Watts	Amps
	0	0.1	0.125	0.2	0.25	0.375	0.5				
<b>Air Flow - CFM</b>	288	280	278	270	264	242	202	1.5	1166	72.0	0.7

<b>PROJECT</b>	<b>ARCHITECT</b>
<b>LOCATION</b>	<b>ENGINEER</b>
<b>CONTRACTOR</b>	<b>SUBMITTED BY</b>
	<b>DATE</b>

FAN NUMBER	MODEL NUMBER	CFM	IN W.G.	RPM	WATTS	AMPS	SONES	QTY	OPTIONAL EQUIPMENT & REMARKS



**U.S.:** 820 Lincoln Avenue  
 West Chester, Pennsylvania 19380-4466  
 Tel: (610) 692-7400 • 877-304-3785  
 Fax: (610) 696-8048

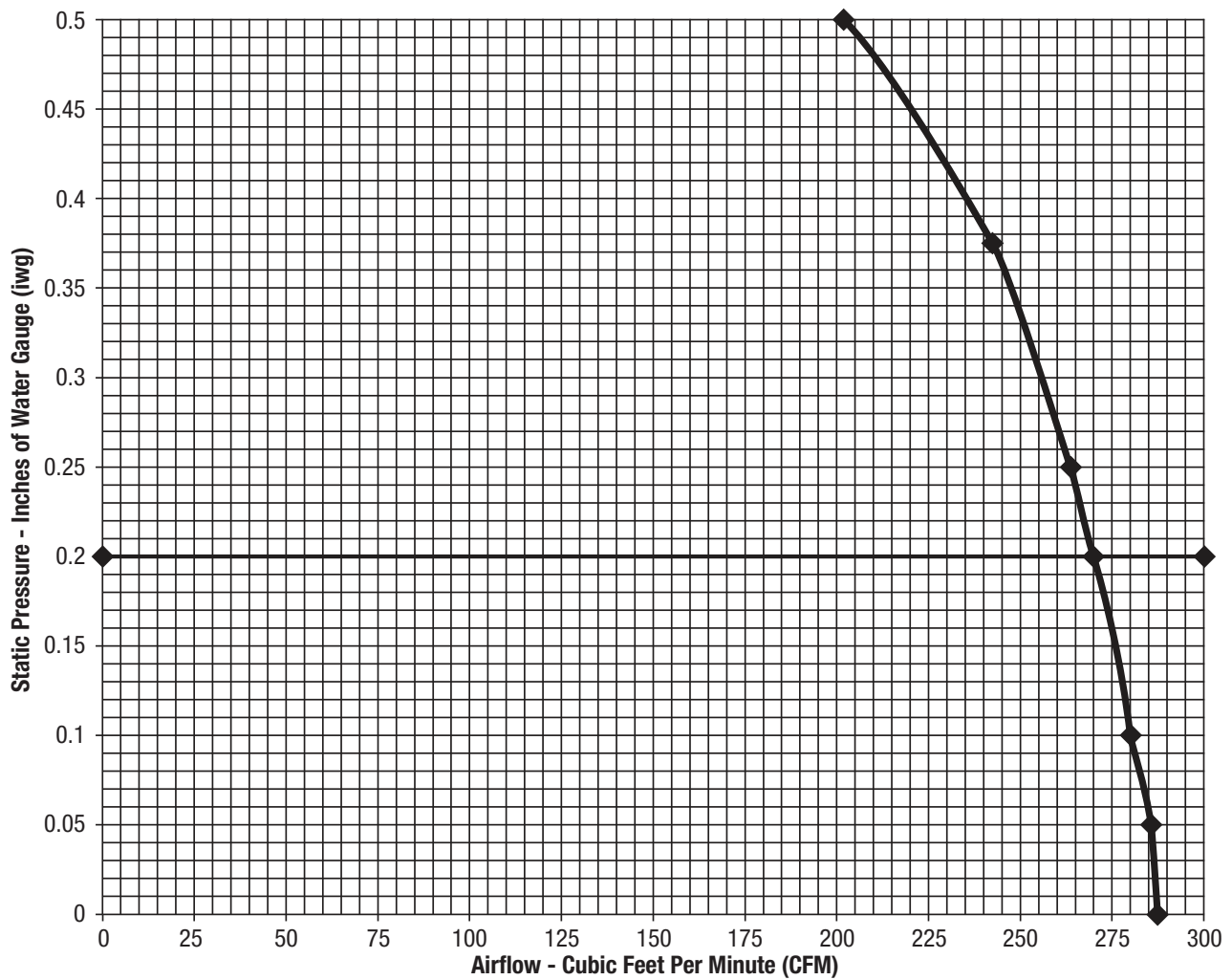
**Canada:**  
 Brampton, Ontario  
 Tel: 905-456-2033  
 Fax: (905) 456-1015



SPECIFICATIONS  
**FAKZA290**  
FRESH AIR SUPPLY KIT

 **AKZA290 Fan**  
**270 CFM @ 0.20" SP., 72 Watts**

**Model AKZA290 Fan Curve**



**U.S.:** 820 Lincoln Avenue  
West Chester, Pennsylvania 19380-4466  
Tel: (610) 692-7400 • 877-304-3785  
Fax: (610) 696-8048

**Canada:**  
Brampton, Ontario  
Tel: 905-456-2033  
Fax: (905) 456-1015