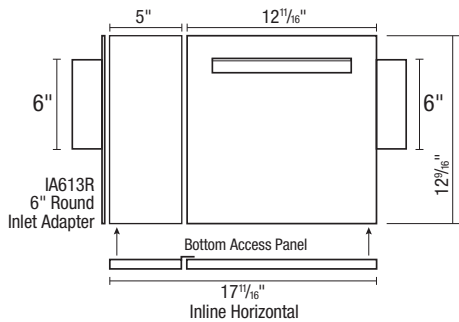
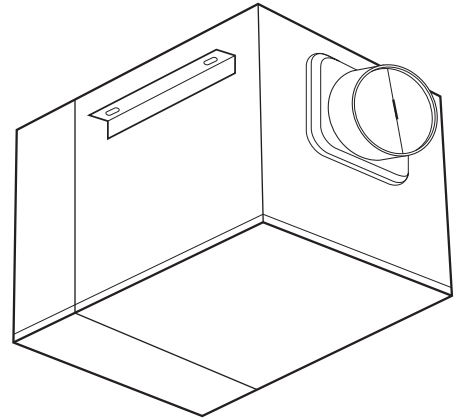




SPECIFICATIONS
QAKZA150
 FRESH AIR SUPPLY KIT

AKZA150 Fan
120 CFM @ 0.20" SP., 34.4 Watts



- **Blower Wheel**
Balanced polymeric dual inlet blower wheel secured in place using a hex nut.
- **Motor**
Enclosed 4 pole high efficiency, permanently split capacitor motor (PSC); life time lubrication, suitable for continuous operation. Motor bearings - sleeve. Rated 115/120 volts, 60 Hz.
- **Fan Housing**
23 gauge galvanized steel housing with 1" thermal & acoustical insulation and a removable quick release bottom access panel for servicing. Overall dimensions: 12^{11/16}"W x 13^{1/16}"D x 13^{9/16}"H.
- **Duct Collar**
6" round, zinc plated metal collar adapter. Gasketed, spring loaded aluminum backdraft damper.

Model IA613R 6" round, zinc plated metal inlet collar adapter included with kit.
- **Electrical Connections**
0.5" electrical knockouts provided. Easy wiring access via either internal or external wiring compartment cover.
- **Controller**
Unit mounted controller monitors temperature and humidity of incoming air and allows installer to configure optimal ventilation.
- **Unit Mounting**
2 supplied housing mounting angles. The housing mounting angles can be adapted for inline or top discharge mounting (hardware not provided).

- **Kit Contents**
 - 1 - AKZA150 Fan
 - 1 - Qu Series Controller
 - 1 - 6" Inlet Adapter
 - 1 - FB13 Filter Box
 - 1 - Quick Release Bottom Access Panel

EXPANDED PERFORMANCE											
	Static Pressure (inches of w.g.)							Sones @ 0.1 SP	Fan Speed RPM	Maximum Fan Watts	Amps
	0	0.1	0.125	0.2	0.25	0.375	0.5				
Air Flow - CFM	167	150	145	120	117	82	-	0.4	839	34.4	0.3

PROJECT							ARCHITECT				
LOCATION							ENGINEER				
CONTRACTOR							SUBMITTED BY			DATE	
FAN NUMBER	MODEL NUMBER	CFM	IN W.G.	RPM	WATTS	AMPS	SONES	QTY	OPTIONAL EQUIPMENT & REMARKS		



U.S.: 820 Lincoln Avenue
 West Chester, Pennsylvania 19380-4466
 Tel: (610) 692-7400 • 877-304-3785
 Fax: (610) 696-8048

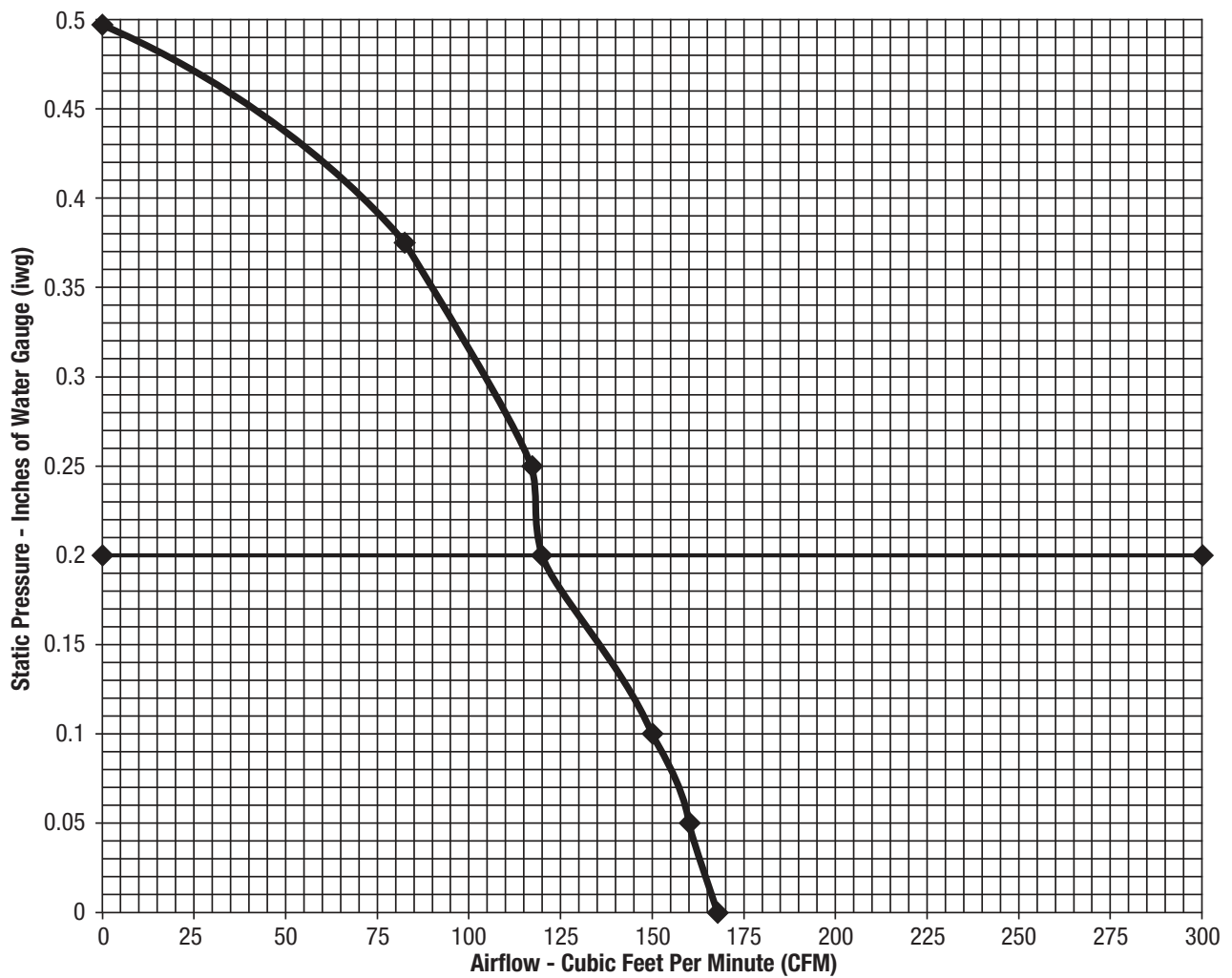
Canada:
 Brampton, Ontario
 Tel: 905-456-2033
 Fax: (905) 456-1015



SPECIFICATIONS
QAKZA150
FRESH AIR SUPPLY KIT

 **AKZA150 Fan**
120 CFM @ 0.20" SP., 34.4 Watts

Model AKZA150 Fan Curve



U.S.: 820 Lincoln Avenue
West Chester, Pennsylvania 19380-4466
Tel: (610) 692-7400 • 877-304-3785
Fax: (610) 696-8048

Canada:
Brampton, Ontario
Tel: 905-456-2033
Fax: (905) 456-1015