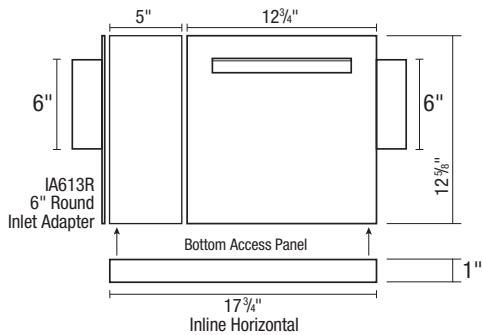
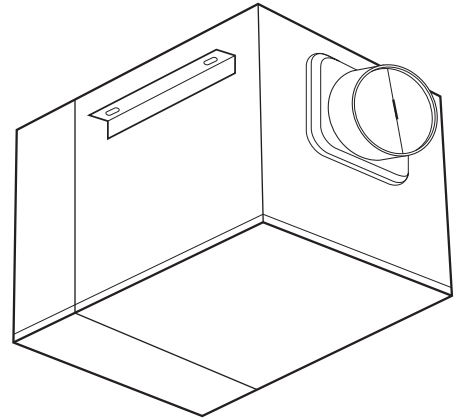




**SPECIFICATIONS**  
**QAKZA200**  
 FRESH AIR SUPPLY KIT

**AKZA200 Fan**  
**210 CFM @ 0.20" SP., 55 Watts**



- **Blower Wheel**  
Balanced polymeric dual inlet blower wheel secured in place using a hex nut.
- **Motor**  
Enclosed 4 pole high efficiency, permanently split capacitor motor (PSC); life time lubrication, suitable for continuous operation. Motor bearings - sleeve. Rated 115/120 volts, 60 Hz.
- **Fan Housing**  
23 gauge galvanized steel housing with 1" thermal & acoustical insulation and a removable quick release bottom access panel for servicing. Overall dimensions: 17 3/4"W x 13 7/8"D x 13 5/8" H.
- **Duct Collar**  
6" round, zinc plated metal collar adapter. Gasketed, spring loaded aluminum backdraft damper.  
  
**Model IA613R** 6" round, zinc plated metal inlet collar adapter included with kit.
- **Electrical Connections**  
0.5" electrical knockouts provided. Easy wiring access via either internal or external wiring compartment cover.
- **Controller**  
Unit mounted controller monitors temperature and humidity of incoming air and allows installer to configure optimal ventilation.
- **Unit Mounting**  
2 supplied housing mounting angles. The housing mounting angles can be adapted for inline or top discharge mounting (hardware not provided).

- **Kit Contents**
  - 1 - AKZA200 Fan
  - 1 - Qu Series Controller
  - 1 - 6" Inlet Adapter
  - 1 - FB13 Filter Box
  - 1 - Quick Release Bottom Access Panel

**EXPANDED PERFORMANCE**

	Static Pressure (inches of w.g.)							Sones @ 0.1 SP	Fan Speed RPM	Maximum Fan Watts	Amps
	0	0.1	0.2	0.3	0.4	0.5	0.6				
<b>Air Flow - CFM</b>	225	218	210	198	178	147	86	1.0	1169	55.0	0.5

<b>PROJECT</b>							<b>ARCHITECT</b>				
<b>LOCATION</b>							<b>ENGINEER</b>				
<b>CONTRACTOR</b>							<b>SUBMITTED BY</b>			<b>DATE</b>	
FAN NUMBER	MODEL NUMBER	CFM	IN W.G.	RPM	WATTS	AMPS	SONES	QTY	OPTIONAL EQUIPMENT & REMARKS		



**U.S.:** 820 Lincoln Avenue  
 West Chester, Pennsylvania 19380-4466  
 Tel: (610) 692-7400 • 877-304-3785  
 Fax: (610) 696-8048

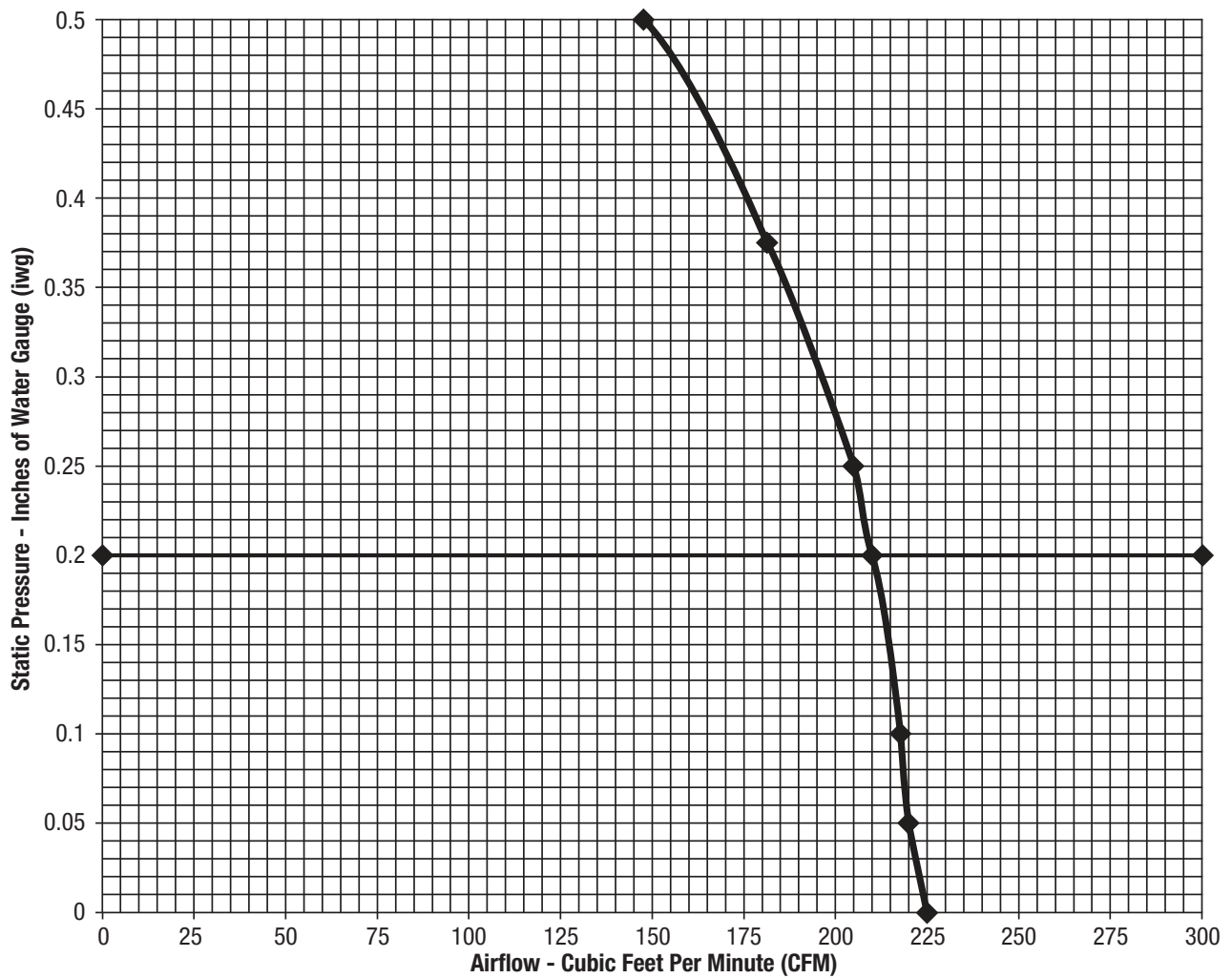
**Canada:**  
 Brampton, Ontario  
 Tel: 905-456-2033  
 Fax: (905) 456-1015



SPECIFICATIONS  
**QAKZA200**  
FRESH AIR SUPPLY KIT

 **AKZA200 Fan**  
**210 CFM @ 0.20" SP, 55 Watts**

### Model AKZA200 Fan Curve



**U.S.:** 820 Lincoln Avenue  
West Chester, Pennsylvania 19380-4466  
Tel: (610) 692-7400 • 877-304-3785  
Fax: (610) 696-8048

**Canada:**  
Brampton, Ontario  
Tel: 905-456-2033  
Fax: (905) 456-1015