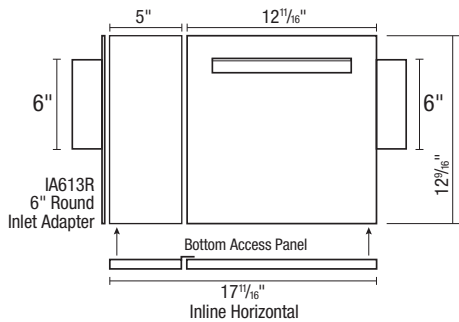
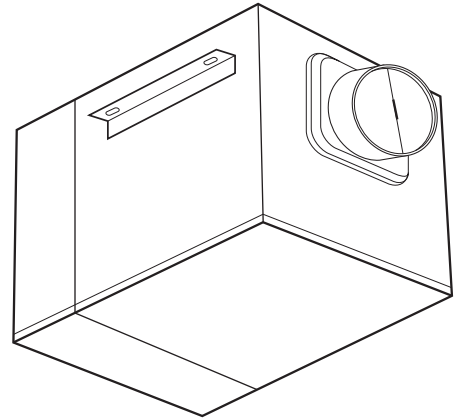




SPECIFICATIONS
QAKZA200
 FRESH AIR SUPPLY KIT

AKZA200 Fan
210 CFM @ 0.20" SP., 55 Watts



- **Blower Wheel**
Balanced polymeric dual inlet blower wheel secured in place using a hex nut.
- **Motor**
Enclosed 4 pole high efficiency, permanently split capacitor motor (PSC); life time lubrication, suitable for continuous operation. Motor bearings - sleeve. Rated 115/120 volts, 60 Hz.
- **Fan Housing**
23 gauge galvanized steel housing with 1" thermal & acoustical insulation and a removable quick release bottom access panel for servicing. Overall dimensions: 12^{11/16}"W x 13^{1/16}"D x 13^{9/16}"H.
- **Duct Collar**
6" round, zinc plated metal collar adapter. Gasketed, spring loaded aluminum backdraft damper.

Model IA613R 6" round, zinc plated metal inlet collar adapter included with kit.
- **Electrical Connections**
0.5" electrical knockouts provided. Easy wiring access via either internal or external wiring compartment cover.
- **Controller**
Unit mounted controller monitors temperature and humidity of incoming air and allows installer to configure optimal ventilation.
- **Unit Mounting**
2 supplied housing mounting angles. The housing mounting angles can be adapted for inline or top discharge mounting (hardware not provided).

- **Kit Contents**
 - 1 - AKZA200 Fan
 - 1 - Qu Series Controller
 - 1 - 6" Inlet Adapter
 - 1 - FB13 Filter Box
 - 1 - Quick Release Bottom Access Panel

EXPANDED PERFORMANCE											
	Static Pressure (inches of w.g.)							Sones @ 0.1 SP	Fan Speed RPM	Maximum Fan Watts	Amps
	0	0.1	0.2	0.3	0.4	0.5	0.6				
Air Flow - CFM	225	218	210	198	178	147	86	1.0	1169	55.0	0.5

PROJECT							ARCHITECT				
LOCATION							ENGINEER				
CONTRACTOR							SUBMITTED BY			DATE	
FAN NUMBER	MODEL NUMBER	CFM	IN W.G.	RPM	WATTS	AMPS	SONES	QTY	OPTIONAL EQUIPMENT & REMARKS		



U.S.: 820 Lincoln Avenue
 West Chester, Pennsylvania 19380-4466
 Tel: (610) 692-7400 • 877-304-3785
 Fax: (610) 696-8048

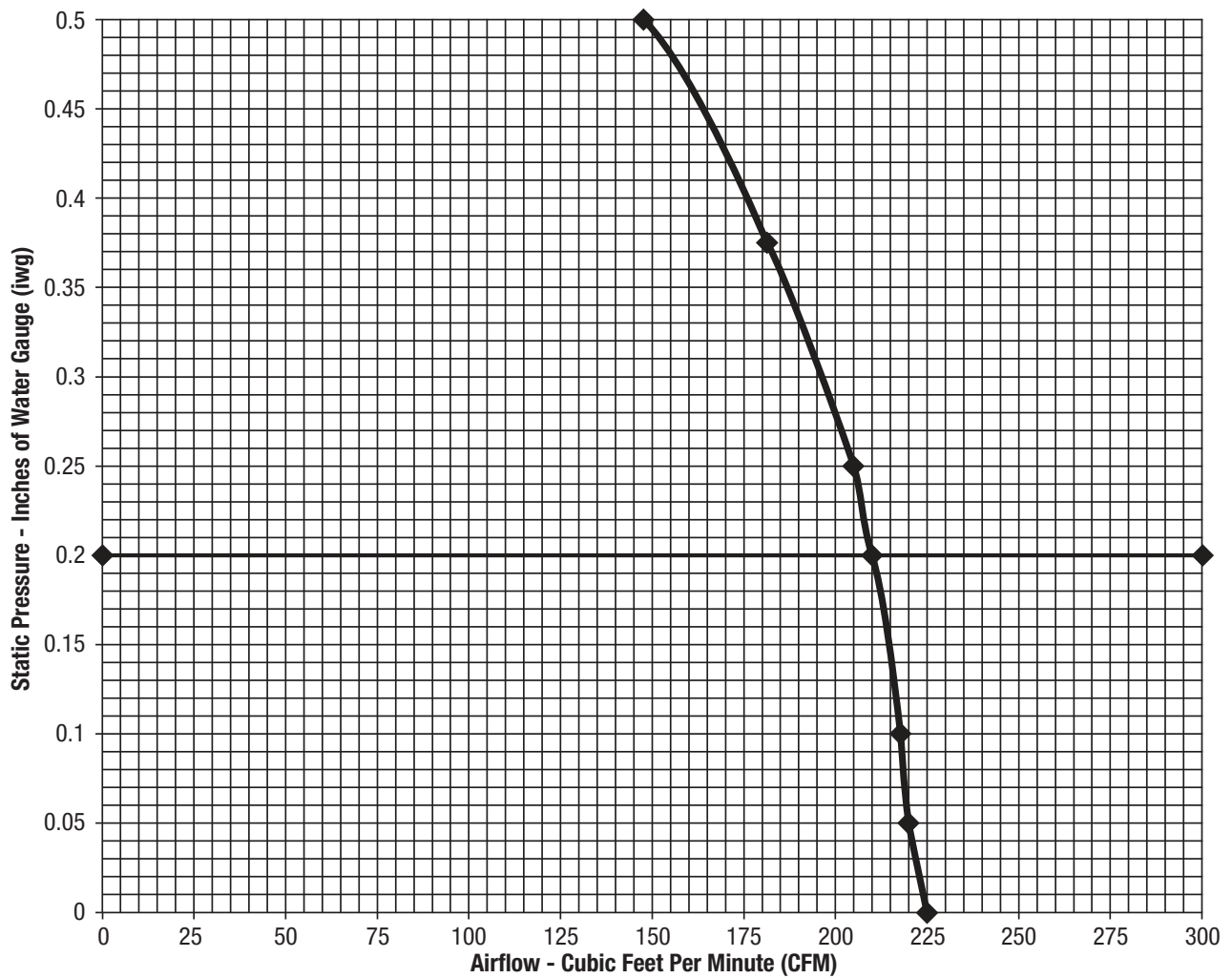
Canada:
 Brampton, Ontario
 Tel: 905-456-2033
 Fax: (905) 456-1015



SPECIFICATIONS
QAKZA200
FRESH AIR SUPPLY KIT

 **AKZA200 Fan**
210 CFM @ 0.20" SP., 55 Watts

Model AKZA200 Fan Curve



U.S.: 820 Lincoln Avenue
West Chester, Pennsylvania 19380-4466
Tel: (610) 692-7400 • 877-304-3785
Fax: (610) 696-8048

Canada:
Brampton, Ontario
Tel: 905-456-2033
Fax: (905) 456-1015