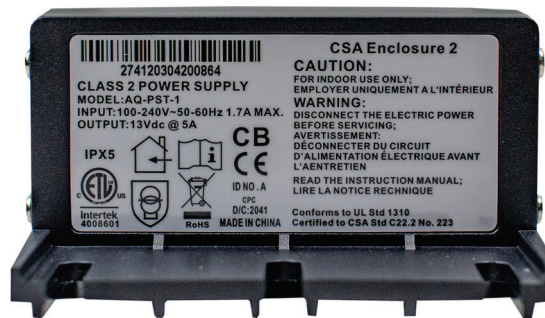


PST-1

(AQ-PST-1) (PS111)

110/240V AC FEMALE SPADE CONNECTORS



12V DC Female Spade Connectors

KEY FEATURES

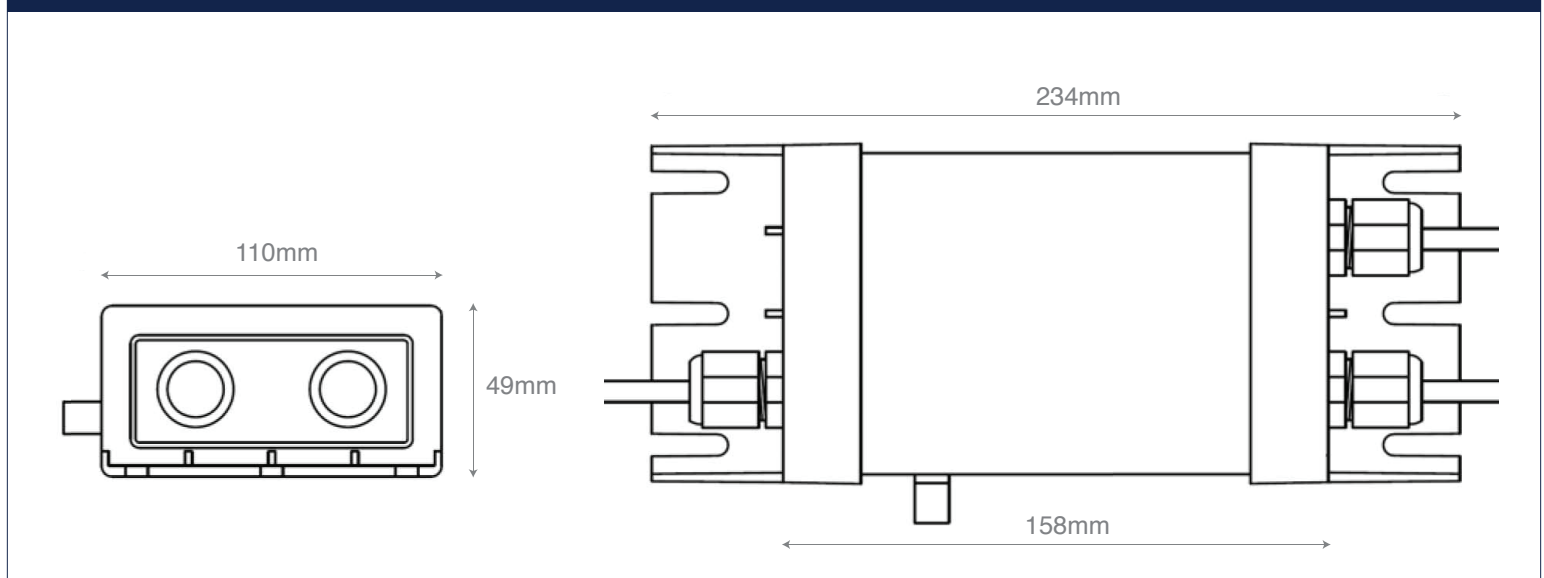
- 110/240V AC Input Voltage with a power factor of 0.9 or greater
- Has a power efficiency of 87% or greater
- Durable against water, over voltages, over currents, and over temperatures.
- Compatible Output Connector: 12 V DC Female Spade Connectors
- UL, CB, and CE certified

Design and specification subject to change without notice.E&OE

SPECIFICATIONS

Type:	Regulated switching mode power supply ($\leq 10A$, 13V DC)
Waterproof:	Yes - IPx5
Input Voltage:	100-240V AC (power input auto sensing/switching)
Input Frequency:	50/60 Hz
Efficiency:	$\geq 87\%$
Power Consumption:	$\leq 0.5W$ (at 240V AC)
Power Factor:	≥ 0.9 (at full load)
Short Circuit Protection:	Continuous
Output Plug:	2x female spade connectors (+13V DC (red), Neg (black))
Output Voltage:	13V DC regulated
Output Current:	5A
Ripple & Noise:	260mV (max)
Voltage Accuracy:	$\pm 5\%$
Line Regulation:	$\pm 5\%$
Load Regulation:	$\pm 5\%$
Operating Temperature:	$-20^{\circ}C - 70^{\circ}C$
Storage Temperature:	$-20^{\circ}C - 85^{\circ}C$
Dimensions:	49 x 234 x 110 mm
Certifications:	UL1563 class2, UL1310, CSA, CE
Additional Features:	Over Voltage Protection, Over Current Protection Over Temperature Protection

DIMENSIONS



Design and specification subject to change without notice.E&OE