



PRODUCT FEATURES:

- Smart-Play Integration system allows connection of Android and other phones to the Toyota infotainment system.
- Made for Android Auto and CarPlay.
- Retains functionality of the OEM backup camera if present.
- Utilizes the factory microphone for voice controls.
- Uses the factory touch screen for Smart-Play controls.
- Retains functionality of the factory Bluetooth handsfree system.
- Wired Smart-Play connection for smartphone charging.

NOTE: Video image quality is limited to the factory Toyota screen resolution which is not HD quality.

PARTS INCLUDED:



ACPTY-05 Module



Power Harnesses



Smart-Play Interface Module



USB Extension Cable



3.5MM Extension Cable



4K HDMI Cable

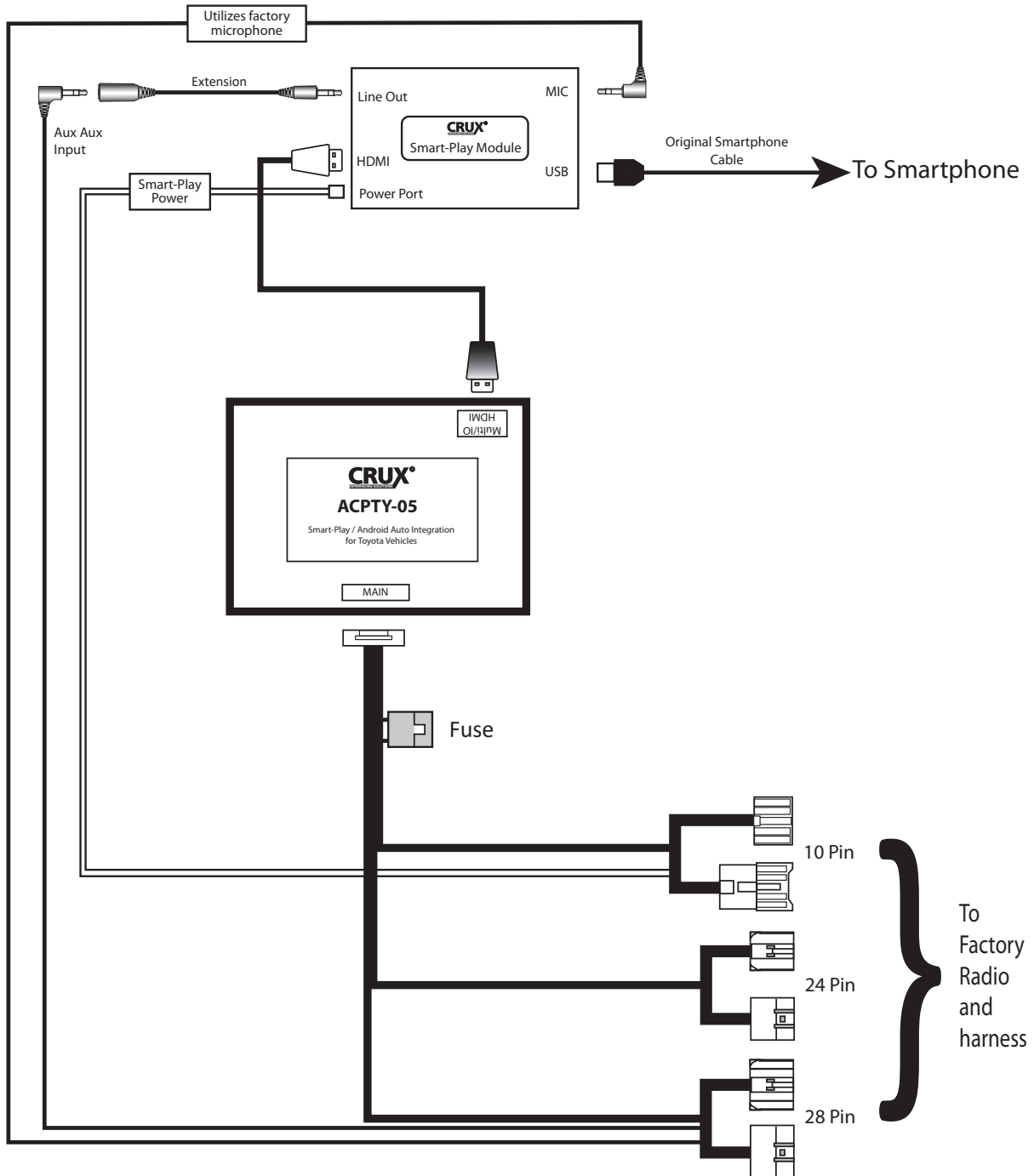
DIP SWITCH SETTINGS:

DIP	SETTING	OEM RADIO MANUFACTURER
1 to 8	OFF (ALL UP)	PIONEER
3	ON (DOWN)	FUJITSU TEN
4	ON (DOWN)	PANASONIC WITH JBL
5	ON (DOWN)	PANASONIC WITHOUT JBL
	NOTE:	IF DIP 4 OR 5 DOES NOT WORK, USE DIP 2 ON (DOWN) AND REST OFF (UP)
		PANASONIC RADIO ADDITIONAL DIP SWITCH SETTINGS
ADD 6	ON (DOWN)	IF RADIO AUTOMATICALLY GOES TO SMART-PLAY MODE WITHOUT PRESSING ANY BUTTONS ON THE RADIO.
ADD 7	ON (DOWN)	IF RADIO HAS A 6" SCREEN

Unplug the main harness on the module after changing the DIP switch settings.



WIRING DIAGRAM:



AUDIO INPUT TO VEHICLE:

The Smart-Play audio will use the vehicle’s auxiliary input via the factory radio connector. Make sure to plug in the 3.5mm audio connector of the ACPTY-05 Audio Aux input to the Smart-Play module **“Line Out”** port. See diagram on page 2. Change the factory radio **“Audio Source”** to **“AUX”** in order for the Smart-Play audio to be heard on the factory audio system. Note that the factory aux input cannot be used while in Smart-Play mode.

The ACPTY-05 utilizes the factory microphone. Make sure to plug in the 3.5mm MIC connector of the ACPTY-05 to the Microphone port of the Smart-Play module. See diagram on page 2.

To retain use of the factory Bluetooth handsfree function, pair the phone to the radio. Use the steering wheel controls to pickup and hang up phone calls. Use the touch screen for Smart-Play controls.



Select AUX for Audio source on the factory radio.

SMART-PLAY ACTIVATION:

<u>MODEL</u>	<u>RADIO MANUFACTURER</u>	<u>ACTIVATION</u>
PRIUS	PANASONIC	DOUBLE CLICK (HALF SECOND INTERVAL) THE POWER BUTTON DOUBLE CLICK AGAIN TO RETURN TO OEM SCREEN
CAMRY	PIONEER	DOUBLE CLICK (HALF SECOND INTERVAL) THE POWER BUTTON DOUBLE CLICK AGAIN TO RETURN TO OEM SCREEN
SIENNA	PIONEER	DOUBLE CLICK (HALF SECOND INTERVAL) THE POWER BUTTON DOUBLE CLICK AGAIN TO RETURN TO OEM SCREEN
RAV-4	FUJITSU TEN	DOUBLE CLICK (HALF SECOND INTERVAL) THE POWER BUTTON PRESS “AUDIO” BUTTON ONCE TO RETURN TO OEM SCREEN
4RUNNER	PANASONIC	DOUBLE CLICK (HALF SECOND INTERVAL) THE POWER BUTTON DOUBLE CLICK AGAIN TO RETURN TO OEM SCREEN
HIGHLANDER	PANASONIC	DOUBLE CLICK (HALF SECOND INTERVAL) THE POWER BUTTON DOUBLE CLICK AGAIN TO RETURN TO OEM SCREEN
TACOMA	PANASONIC / JBL	DOUBLE CLICK (HALF SECOND INTERVAL) THE POWER BUTTON DOUBLE CLICK AGAIN TO RETURN TO OEM SCREEN
COROLLA	FUJITSU TEN	DOUBLE CLICK (HALF SECOND INTERVAL) THE POWER BUTTON PRESS “AUDIO” BUTTON ONCE TO RETURN TO OEM SCREEN
COROLLA	PANASONIC	DOUBLE CLICK (HALF SECOND INTERVAL) THE POWER BUTTON DOUBLE CLICK AGAIN TO RETURN TO OEM SCREEN
RAV-4	FUJITSU TEN	DOUBLE CLICK (HALF SECOND INTERVAL) THE POWER BUTTON PRESS “AUDIO” BUTTON ONCE TO RETURN TO OEM SCREEN
PRIUS C	FUJITSU TEN	DOUBLE CLICK (HALF SECOND INTERVAL) THE POWER BUTTON PRESS “AUDIO” BUTTON ONCE TO RETURN TO OEM SCREEN



VEHICLE APPLICATIONS:

Compatible with Toyota vehicles with touch screen.

Toyota

- 2014-2019 4Runner
- 2015-2018 Avalon
- 2014-2017 Camry
- 2014-2018 Corolla
- 2014-2019 Highlander (not compatible with models with 360 bird's eye view system)
- 2015-2019 Prius (models with JBL system will have a lower image resolution due to screen limitation)
(not compatible with Prius Prime with 11.6" screen)
- 2016-2019 Prius c
- 2016-2017 Prius v
- 2014-2018 RAV4
- 2014-2019 Sequoia
- 2015-2017 Sienna (models with JBL system will have a lower image resolution due to screen limitation)
- 2016-2019 Tacoma (models with JBL system will have a lower image resolution due to screen limitation)
- 2014-2019 Tundra
- 2014-2018 Yaris
- 2017-2019 86



2016 Camry



2018 4Runner



2018 Tacoma



2018 Tundra

