

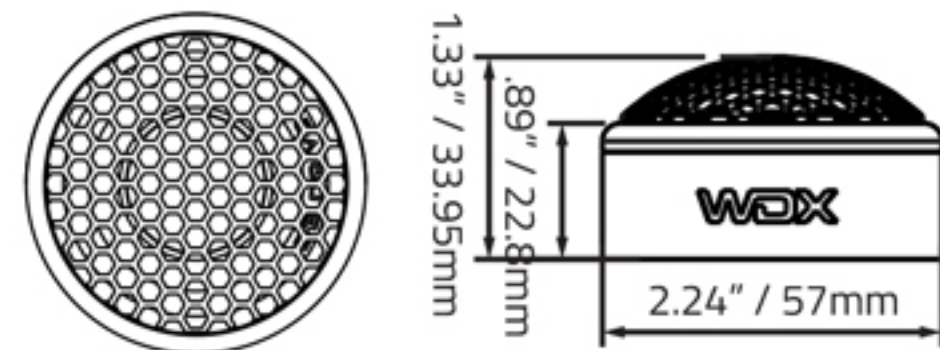
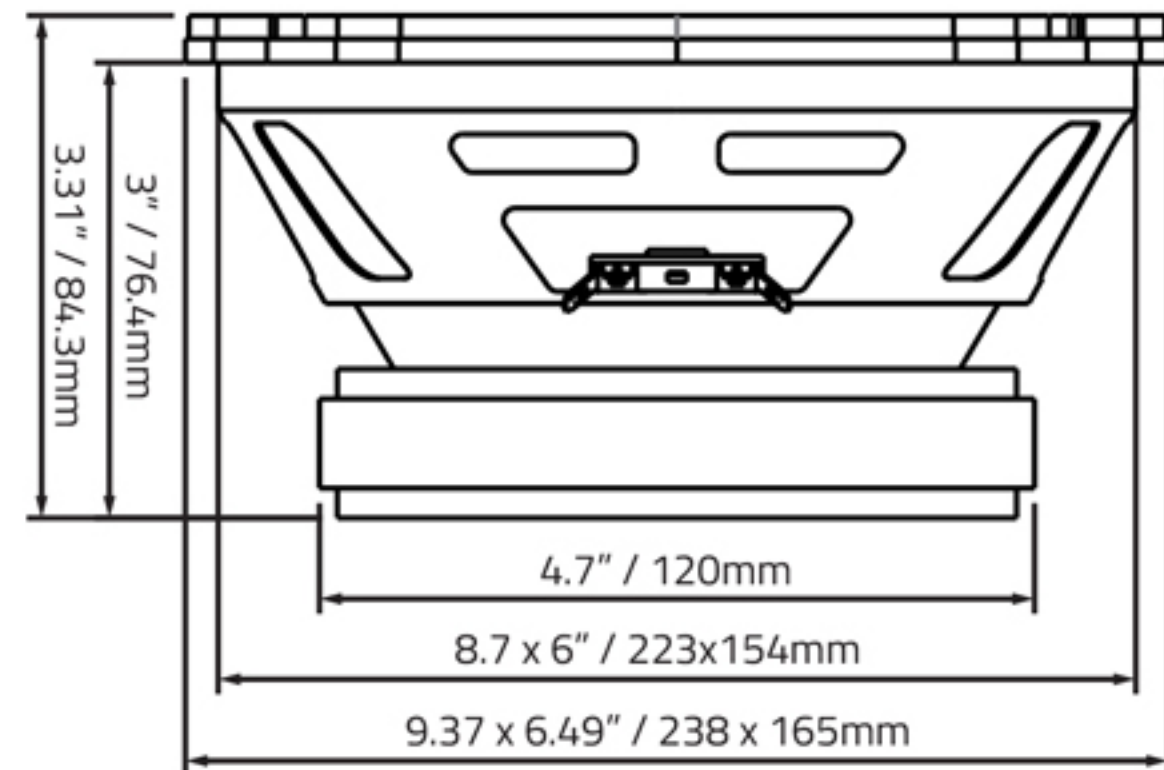
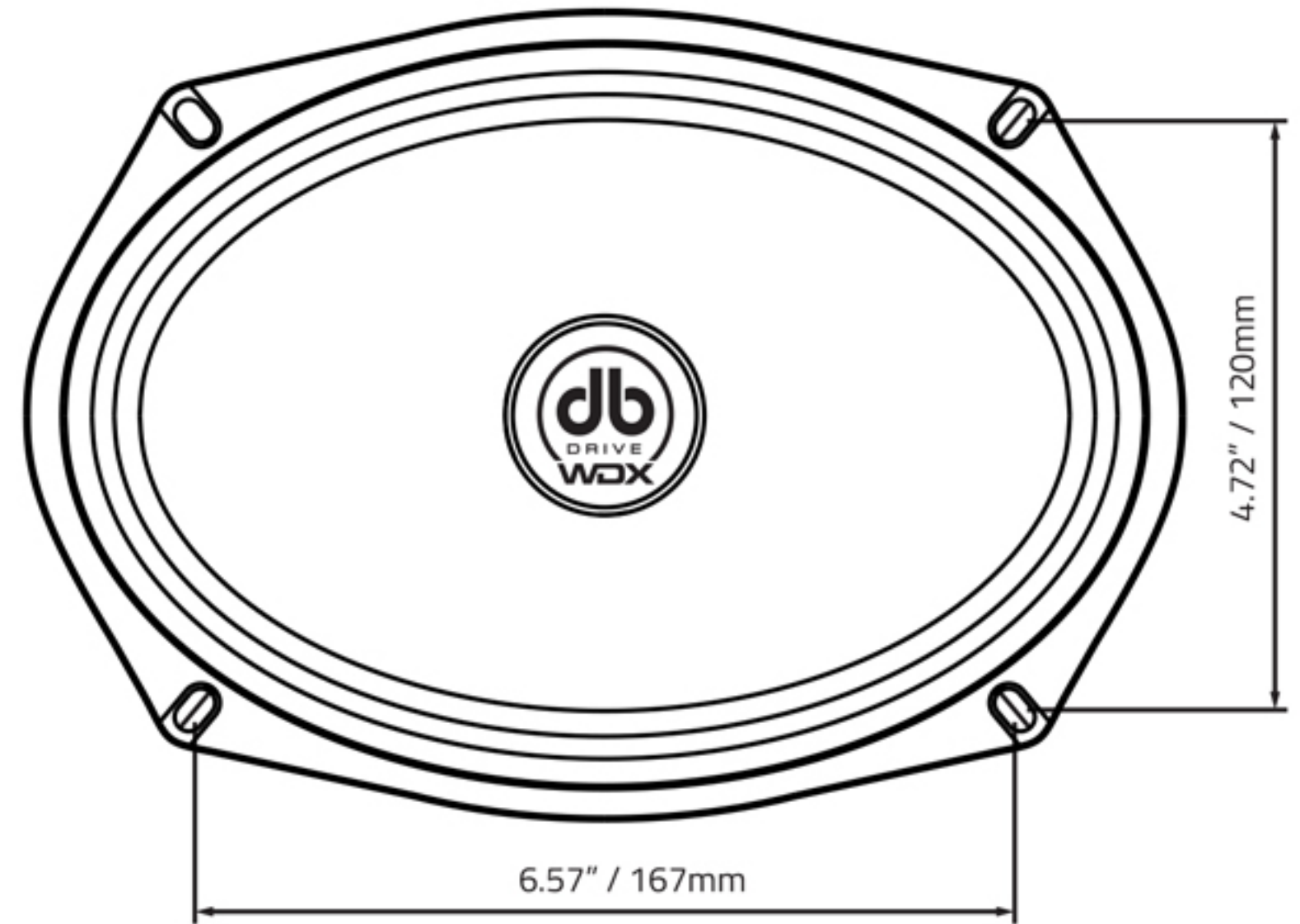


WDX 69C-G2

6 X 9" COMPONENT LOUDSPEAKERS • 600 WATTS

FEATURES

- High Efficiency Component System
- 6 x 9" Component Loudspeakers
- Ultra Light Weight Treated Cone
- High Reaction Ribbed Treated Cloth Surround
- 1.5" High Temperature Voice coil
- Stamped Steel Basket
- Radial Voice Coil Bending
- Protective Grill Included
- 1.25" Aluminum Dome Tweeter w/ resonance chamber
- Multi-Mount Tweeter Flange
- 12dB passive Crossover Network



SPECIFICATIONS

- Dynamic Power Handling: 600 Watts
- Nominal Power Handling: 300 Watts
- Frequency Response: 75Hz - 21KHz
- Impedance: 4Ω
- Sensitivity: 103.7dB

6 x 9" DIMENSIONS

- Mounting Depth : 3" / 76.4mm
- Cutout Diameter : 8.7 x 6" / 223x154mm

