



PCAM-IRC2

IP68 CMOS Commercial Camera with Night Vision

User Manual



Introduction

Thank you for purchasing your EchoMaster automotive camera.

The following part numbers are supported:
▶ **PCAM-IRC2-N**

EchoMaster cameras are designed to improve safety during driving by providing high quality images of surrounding areas and obstacles in the vicinity of the vehicle. They will also improve vehicle maneuvering capability by displaying blind spots not normally visible to the driver.

Please ensure you read and understand all aspects of this manual before fitting or using your EchoMaster Camera. Choose a suitable mounting place dependent on the application. Ensure that there are no wiring harnesses or hoses/pipes located behind this panel before drilling.

Key Features

- ▶ 1/4" CMOS Sensor
- ▶ Operates at 0 LUX
- ▶ 18 IR LEDs
- ▶ IP68 Rated
- ▶ 170 Degree Viewing Angle
- ▶ FMVSS 111 Compliant

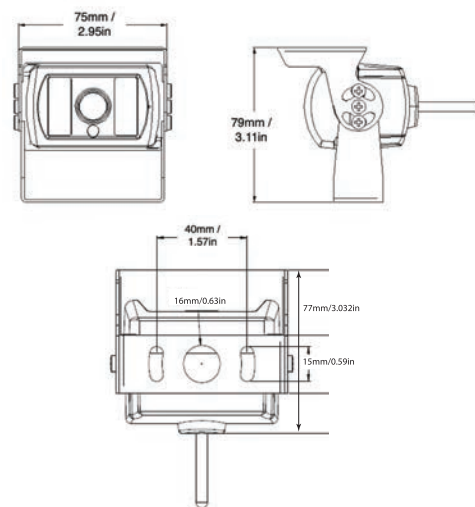
Specifications

	PCAM-IRC2-N
Sensor	1/4" CMOS
LEDs	18 IR
Illumination	0 LUX
Viewing Angle	170° Degrees
Mirror Image	YES
Normal Image	YES
Water/Debris-Proof	IP68
Audio	YES
Power Supply	9-24V
Current	<300mA
Working Temperature	-20°C - +65°C
Dimensions (mm)	D (75) x W (71) x H (79)
System	NTSC
TV Lines	480
Resolution (HxV)	648 x 448

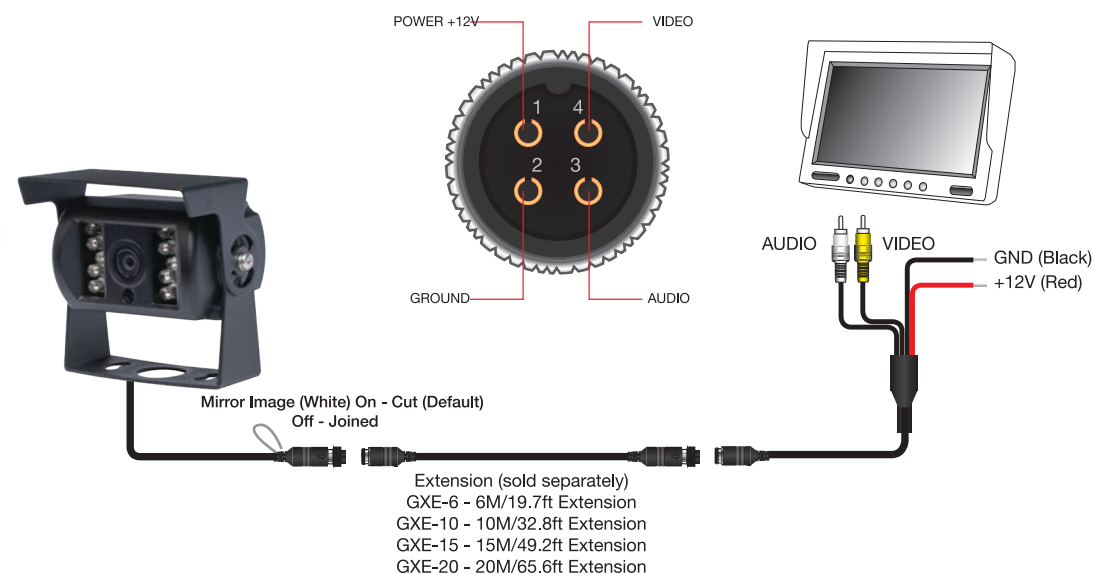
Box Contents

- ▶ Camera
- ▶ Bracket
- ▶ Manual
- ▶ GX12 to RCA adapter

Dimensions



Wiring Diagram & Pin Out



EchoMaster is a Power Brand of AAMP Global
EchoMaster.com

DEFINE YOUR DRIVE

email - support@aampglobal.com (US)
email - technical.eur@aampglobal.com (Europe)

15500 Lightwave Drive, Suite 202
Clearwater, Florida 33760

