

PCAM-IRF



## IP67 Commercial Camera with Night Vision User Manual



## Introduction

Thank you for purchasing your EchoMaster Pro automotive camera.

The following part numbers are supported:

- ▶ PCAM-IRF-P
- ▶ PCAM-IRF-N

EchoMaster cameras are designed to improve safety during driving by providing high quality images of surrounding areas and obstacles in the vicinity of the vehicle. They will also improve vehicle maneuvering capability by displaying blind spots not normally visible to the driver.

Please ensure you read and understand all aspects of this manual before fitting or using your EchoMaster Camera. Choose a suitable mounting place dependent on the application. Ensure that there are no wiring harnesses or hoses/pipes located behind this panel before drilling.

## Key Features

- ▶ 1/3" CCD Sensor
- ▶ Operates at 0 LUX
- ▶ 18 IR LEDs
- ▶ IP67 Rated
- ▶ 120 Degree Viewing Angle

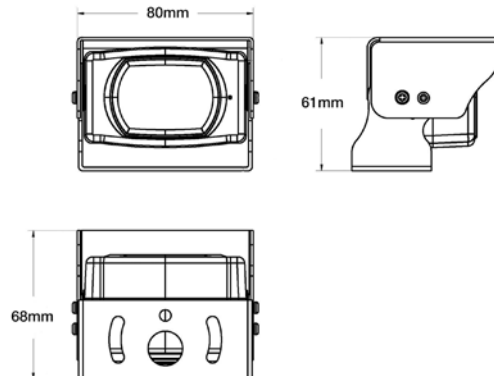
## Specifications

	PCAM-IRF-P   PCAM-IRF-N	
Sensor Type	1/3" CCD	
LEDs	18	
Illumination	0 LUX	
Viewing Angle	120 degrees	
Mirror Image	YES	
Normal View	No	
Water/Debris-Proof	IP67	
Audio	YES	
Power Supply	12V DC	
Current	<120mA	
Working Temperature	-20°C - +70°C	
Dimensions (mm)	D (68) x W (80) x H (61)	
System	PAL	NTSC
TV Lines	480	N/A
Resolution	628 x 582	N/A

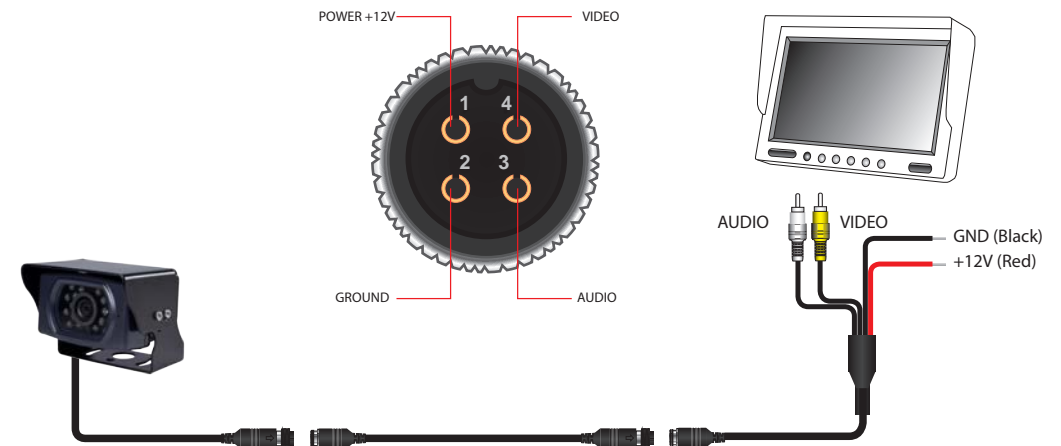
## Box Contents

- ▶ Camera
- ▶ Bracket
- ▶ User Manual
- ▶ Wiring Harness

## Dimensions



## Wiring Diagram & Pin Out



EchoMaster.com  
EchoMaster is a Power Brand of AAMP Global



15500 Lightwave Drive, Suite 202  
Clearwater, Florida 33760  
email - support@aampglobal.com (US)  
email - technical.eu@aampglobal.com (Europe)

