

# PB965YP/BP

## GE Profile™ 30" Smart Free-Standing Electric Double Oven Convection Range with No Preheat Air Fry

### DIMENSIONS AND INSTALLATION INFORMATION (IN INCHES)

#### RECEPTACLE LOCATIONS

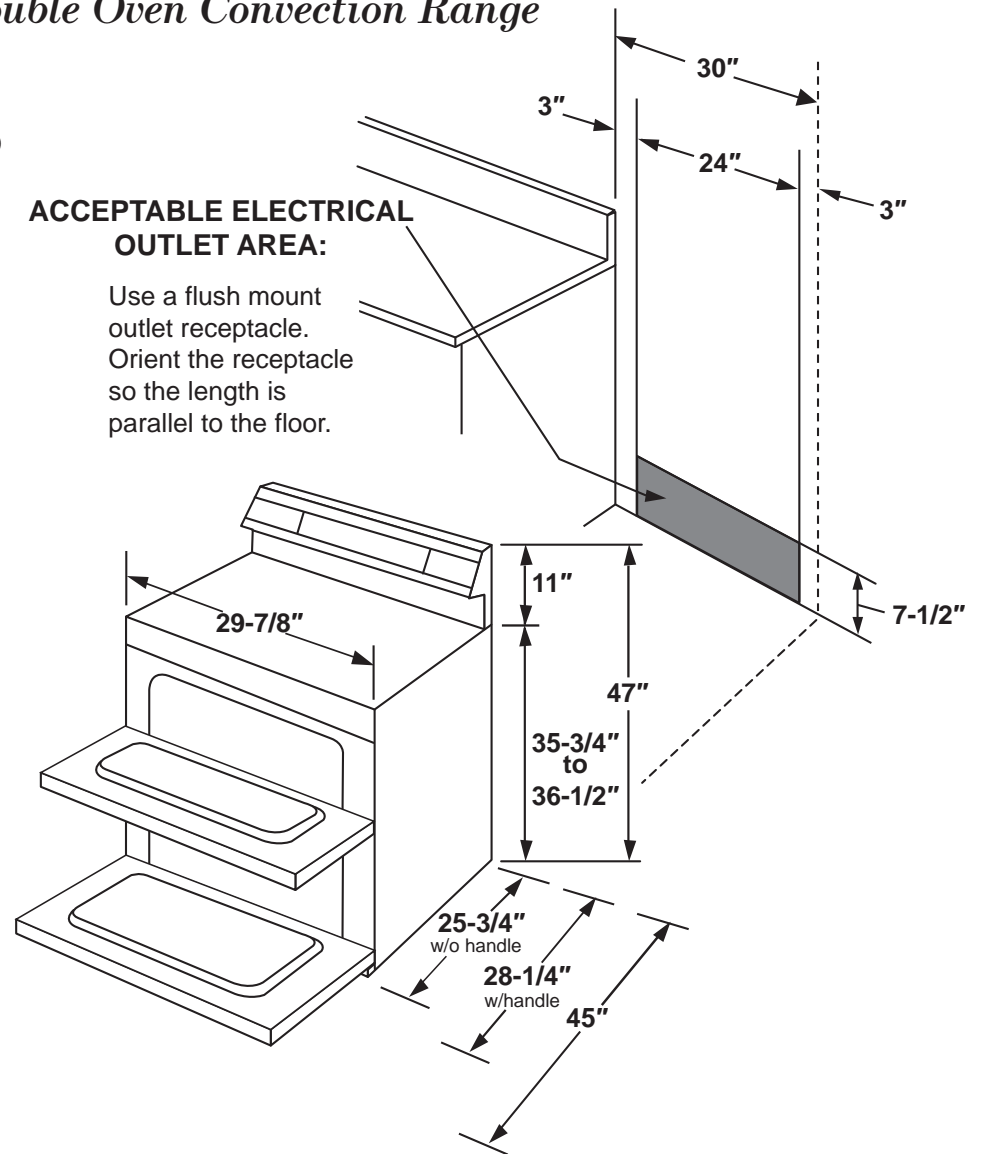
Locally approved flexible service cord or conduit must be used because terminals are not accessible after range installation. See shaded area in drawing for location of electrical outlet box. Recommended outlet locations allow range to be installed directly against wall.

**NOTE:** This appliance has been approved for 0" spacing to adjacent surfaces above the cooktop. However, a 6" minimum spacing to surfaces less than 15" above the cooktop and adjacent cabinet is recommended to reduce exposure to steam, grease splatter and heat.

**INSTALLATION INFORMATION:** Before installing, consult installation instructions for current dimensional data and additional requirements.

KW Rating	
240V	16.0
208V	12.0
Breaker Size	
240V	40 Amps <sup>†</sup>
208V	40 Amps <sup>†</sup>

<sup>†</sup>**NOTE:** Check local codes for required breaker size.



For answers to your Monogram, GE Café™, GE Profile™ or GE Appliances product questions, visit our website at [geappliances.com](http://geappliances.com) or call GE Answer Center® Service, 800.626.2000.



All GE Appliances ranges are equipped with an Anti-Tip device. The installation of this device is an important, required step in the installation of the range.



# PB965YP/BP

## *GE Profile™ 30" Smart Free-Standing Electric Double Oven Convection Range with No Preheat Air Fry*

### **FEATURES AND BENEFITS**

**No Preheat Air Fry** – With this air fryer right in the oven, you can cook healthier, crispier versions of your favorite foods. There's no preheat required and it shortens the cook time because every minute counts.

**Built-in WiFi** – This smart oven features built-in WiFi so you can control oven functions with the SmartHQ app on your smart device.

**Fingerprint Resistant Stainless** – A stainless finish that makes it easy to keep your appliances free of smudges and prints.

**12"/9"/6" Power Boil Element** – A power boiler produces concentrated heat for rapid boiling in a flexible 12-inch/9-inch/6-inch burner size, so you spend less time waiting and more time cooking.

**8"/5" Dual Element** – A dual burner cooktop lets you choose between 8-inch and 5-inch electric elements for a more convenient cooking experience.

**Griddle Zones** – Create the perfect place for a griddle, grill or other large cookware with two burners that work together to create an evenly heated griddle zone right on the cooktop.

**Synchronized Clocks and Lights** – Synchronize your oven and GE Appliances over-the-range microwave so that clocks are always matching and lights and ventilation automatically come on when a burner is activated with Chef Connect.

**True Convection with Precise Air** – This oven features True Convection, an advanced convection system that uses a third heating element and reversing fan for the highest level of heat and air circulation.

**Fast Preheat** – Preheat the oven quickly and cut down on preheat time with a speedy preheat feature.

**Fifth Element Warming Zone** – A convenient low-heat warming zone provides even temperature control for foods on the cooktop.

**Self-Clean with Steam Clean** – This self-cleaning oven uses optional steam cleaning for light soils to clean the oven cavity with less heat and odor.

Model PB965YPFS – Fingerprint Resistant Stainless Steel

Model PB965BPTS – Black Stainless

