

AVS-B2210

2MP Starlight HD-AVS IR Bullet Camera



- Starlight, 120dB true WDR, 3DNR
- Max. 30fps@1080P
- HD/SD output switchable
- Audio in interface
- 2.8mm fixed lens
- Max. IR length 30m, Smart IR
- IP67, DC12V±30%

System Overview

One of our most popular Bullet style cameras, now in an HD over Coax offering! The AVS-B2210 is a fixed lens, 2.0 Megapixel HD-AVS camera. It's solid metal construction means this camera is well suited for use in outdoor environments. The lens itself is a wide angle, 3.6mm lens which yields a 70 degree Horizontal Field of View. IR Illumination on this camera is effective up to 65'.

With both Standard Definition CVBS, and High Definition HD-AVS, this camera can be used for retrofit as well as green field installations. Typical applications for this type of camera include: Small to medium businesses, Residential, and light commercial installations.

Like all HD-AVS cameras from IC Realtime, a compatible HD-AVS recorder is required to provide HD 1080P video transmission up to 800' over conventional Coaxial cable.

Functions

4 Signals over 1 Coaxial Cable

HD-AVS technology supports 4 signals to be transmitted over 1 coaxial cable simultaneously, i.e. video, audio*, data and power. Dual-way data transmission allows the HD-AVS camera to interact with the AVR, such as sending control signal or triggering alarm. Moreover, HD-AVS technology supports PoC for construction flexibility.

* Audio input is available for some models of HD-AVS cameras.

Long Distance Transmission

HD-AVS technology guarantees real-time transmission at long distances without any loss. It supports up to 2,296' / 700m transmission for 2MP HD video via coaxial cable, and up to 984' / 300m via UTP cable.

Starlight

For challenging low-light applications, Starlight Ultra-low Light Technology offers best-in-class light sensitivity, capturing color details in low light down to 0.006lux. The camera uses a set of optical features to balance light throughout the scene, resulting in clear images in dark environments.

Multiple-formats

The camera supports multiple video formats including HD-AVS, CVBS and other two common HD analog formats in the market. The four formats can be switched over through OSD menu. This feature makes the camera to be compatible with not only AVRs but also most end users' existing HD/SD DVRs.

Wide Dynamic Range

The camera achieves vivid images, even in the most intense contrast lighting conditions, using industry-leading wide dynamic range (WDR) technology. For applications with both bright and low lighting conditions that change quickly, true WDR (120 dB) optimizes both the bright and dark areas of a scene at the same time to provide usable video.

Advanced 3DNR

3DNR is noise reduction technology that detects and eliminates random noises by comparing two sequential frames. IC Realtime's advanced 3DNR technology allows remarkable noise reduction with little impact to sharpness, especially under limited lighting conditions. 3DNR also effectively decreases the required bandwidth and helps lower storage space requirements.

Protection

The camera's outstanding reliability, unsurpassed due to its rugged design. The camera is protected against water and dust with IP67 rating, making it suitable for indoor or outdoor environments. It also features ±30% input voltage tolerance, allowing it to operate under unstable power supply conditions. Its 4KV lightning rating provides protection from the effects of a lightning strike.

Technical Specification

Camera

Image Sensor	1/2.8" CMOS
Effective Pixels	1920(H)×1080(V), 2MP
Scanning System	Progressive
Electronic Shutter Speed	PAL: 1/4s~1/100000s NTSC: 1/3s~1/100000s
Minimum Illumination	0.004Lux/F1.6, 30IRE, 0Lux IR on
S/N Ratio	More than 65dB
IR Distance	Up to 30m (98feet)
IR On/Off Control	Auto / Manual
IR LEDs	18

Lens

Lens Type	Fixed lens / Fixed iris				
Mount Type	Board-in				
Focal Length	2.8mm				
Max. Aperture	F1.6				
Angle of View	H: 110°				
Focus Control	Fixed				
Close Focus Distance	500mm(19.7ft)				
DORI Distance	Lens	Detect	Observe	Recognize	Identify
	2.8MM	39m(128ft)	15m(49ft)	8m(26ft)	4m(13ft)

Pan/Tilt/Rotation

Pan/Tilt/Rotation Range	Pan: 0° ~ 360° Tilt: 0° ~ 90° Rotation: 0° ~ 360°
-------------------------	---

Video

Resolution	1080P (1920×1080)
Frame Rate	25/30fps@1080P, 25/30/50/60fps@720P
Video Output	1-channel BNC high definition video output / CVBS video output (DIP switch)
Day/Night	Auto (ICR) / Manual
OSD Menu	Multi-language
BLC Mode	BLC / HLC / WDR (120dB)
WDR	120dB
Gain Control	AGC
Noise Reduction	2D/3D
White Balance	Auto / Manual
Smart IR	Auto / Manual

Certifications

Certifications	CE (EN55032, EN55024, EN50130-4) FCC (CFR 47 FCC Part 15 subpartB, ANSI C63.4-2014) UL (UL60950-1+CAN/CSA C22.2 No.60950-1)
----------------	---

Interface

Video Interface	1-channel BNC high definition video output / CVBS video output (DIP switch)
Audio Interface	1 RCA in
RS485	N/A
Alarm	N/A

Electrical

Power Supply	12V DC ±30%
Power Consumption	Max. 5.9W (12V DC, IR on)

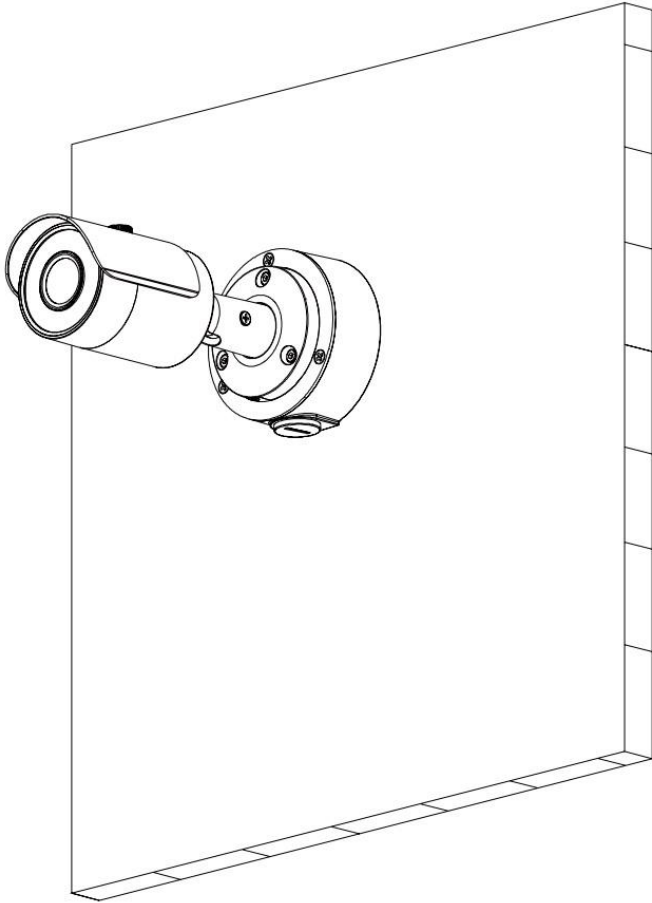
Environmental

Operating Conditions	-40°C ~ +60°C (-40°F ~ +140°F) / Less than 95% RH *Start up should be done at above -40°C (-40°F)
Storage Conditions	-40°C ~ +60°C (-40°F ~ +140°F) / Less than 95% RH
Ingress Protection & Vandal Resistance	IP67

Construction

Casing	Aluminium
Dimensions	164.7mm×70mm×71.6mm (6.48"×2.76"×2.82")
Net Weight	0.40kg (0.88lb)
Gross Weight	0.52kg (1.15lb)

Mounting



Dimensions (mm/in)

