

AVS-B2712SL

2MP Starlight HD-AVS IR Bullet Camera



- Starlight, 120dB true WDR, 3DNR
- Max 30fps@1080P
- HD and SD dual-output
- 2.7-12mm motorized lens
- Max. IR length 100m, Smart IR
- IP67, IK10, AC24V/DC12V

System Overview

When an entry level bullet camera just won't do – look no further than the AVS-B2712SL.

This sleek indoor/outdoor HD-AVS Bullet camera packs some serious hardware. Powered by a large 1/2.8" CMOS i-Sniper sensor, this image sensor achieves maximum light gathering capability with image sharpness levels to match. Due to the large image sensor, the camera itself is able to remain in color (Day) mode longer than typical Day/Night cameras, and display full color video with only minimal lighting.

On top of the i-Sniper imager sits a motorized 2.7mm-12mm lens which provides anywhere from a 95 to 36 degree Field of View.

Supporting HD-AVS, this camera can be used for retrofit as well as green field installations. Typical applications for this type of camera include: Parking Lots, Warehouses, Exterior Residential, and commercial applications.

Like all HD-AVS cameras from IC Realtime, a compatible HD-AVS recorder is required to provide HD video transmission up to 900' over conventional Coaxial cable.

Function

4 Signals over 1 Coaxial Cable

HD-AVS technology supports 4 signals to be transmitted over 1 coaxial cable simultaneously, i.e. video, audio*, data and power. Dual-way data transmission allows the HD-AVS camera to interact with the AVR, such as sending control signal or triggering alarm. Moreover, HD-AVS technology supports PoC for construction flexibility.

* Audio input is available for some models of HD-AVS cameras

Long Distance Transmission

HD-AVS technology guarantees long-distance and real-time transmission without any loss. It supports up to 800m for 1080P Full HD video via coaxial cable, and up to 300m via UTP cable.

Starlight

For challenging low-light applications, Starlight Ultra-low Light Technology offers best-in-class light sensitivity, capturing color details in low light. The camera uses a set of optical features to balance light throughout the scene, resulting in clear images in dark environments.

Wide Dynamic Range

The camera achieves vivid images, even in the most intense contrast lighting conditions, using industry-leading wide dynamic range (WDR) technology. For applications with both bright and low lighting conditions that change quickly, true WDR (120 dB) optimizes both the bright and dark areas of a scene at the same time to provide usable video.

Multi-interfaces

The camera is designed with multi-interfaces for transmitting/receiving various signals. It supports HD-AVS and CVBS video outputs simultaneously with two BNC connectors, and tester out interface for debugging. It also supports audio input interface as well as alarm input/output for connecting external devices. Multi-interfaces covers different requirements of monitoring scenes and facilitates deployment and construction.

Smart IR

With IR illumination, detailed images can be captured in low light or total darkness. The camera's Smart IR technology adjusts to the intensity of camera's infrared LEDs to compensate for the distance of an object. Smart IR technology prevents IR LEDs from whiting out images as they come closer to the camera. The camera's integrated infrared illumination provides high performance in extreme low-light environments up to 100m (328ft).

Protection

The camera's outstanding reliability, unsurpassed due to its rugged design. The camera is protected against water and dust with IP67 rating, making it suitable for indoor or outdoor environments. The camera complies with an IK10 vandal resistance rating making it capable of withstanding the equivalent of 5 kg (11.02 lbs) of force dropped from a height of 40 cm (15.75 in). It also features $\pm 25\%$ input voltage tolerance, allowing it to operate under unstable power supply conditions. Its 4KV lightning rating provides protection from the effects of a lightning strike.

Technical Specification

Camera

Image Sensor	1/2.8" CMOS
Effective Pixels	1945(H)×1097(V), 2.1MP
Scanning System	Progressive
Electronic Shutter Speed	PAL: 1.3s~1/30000s NTSC: 1s~1/30000s
Minimum Illumination	0.005Lux/F1.4, 30IRE, 0Lux IR on
S/N Ratio	More than 65dB
IR Distance	Up to 100m (328ft)
IR On/Off Control	Auto / Manual
IR LEDs	4

Lens

Lens Type	Motorized lens / Auto iris				
Mount Type	Board-in				
Focal Length	2.7-12mm				
Max. Aperture	F1.4				
Angle of View	H: 95°~36°				
Focus Control	Auto / Manual				
Close Focus Distance	300mm 11.81"				
	Lens	Detect	Observe	Recognize	Identify
DORI Distance	Wide	48m(159ft)	19m(64ft)	10m(32ft)	5m(17ft)
	Tele	133m(437ft)	53m(175ft)	27m(87ft)	13m(44ft)

Pan/Tilt/Rotation

Pan/Tilt/Rotation Range	Pan: 0° ~ 360° Tilt: 0° ~ 90° Rotation: 0° ~ 360°
-------------------------	---

Video

Resolution	1080P (1920×1080)
Frame Rate	25/30fps@1080P, 25/30/50/60fps@720P
Video Output	1-channel BNC HD-AVS high definition video output & 1-channel BNC CVBS video output CVBS tester out
Day/Night	Auto (ICR) / Manual
OSD Menu	Multi-language
BLC Mode	BLC / HLC / WDR (120dB)
WDR	120dB
Gain Control	AGC
Noise Reduction	2D/3D
White Balance	Auto / Manual
Smart IR	Auto / Manual

Certifications

Certifications	CE (EN55032, EN55024, EN50130-4) FCC (CFR 47 FCC Part 15 subpartB, ANSI C63.4-2014) UL (UL60950-1+CAN/CSA C22.2 No.60950-1)
----------------	---

Interface

Video Interface	1-channel BNC HD-AVS high definition video output & 1-channel BNC CVBS video output CVBS tester out
Audio Interface	1-channel audio in
RS485	N/A
Alarm	1-channel alarm in & 1-channel alarm out

Electrical

Power Supply	AC 24V±25% / DC 12V±25%
Power Consumption	Max 16.6W (12V DC, IR on)

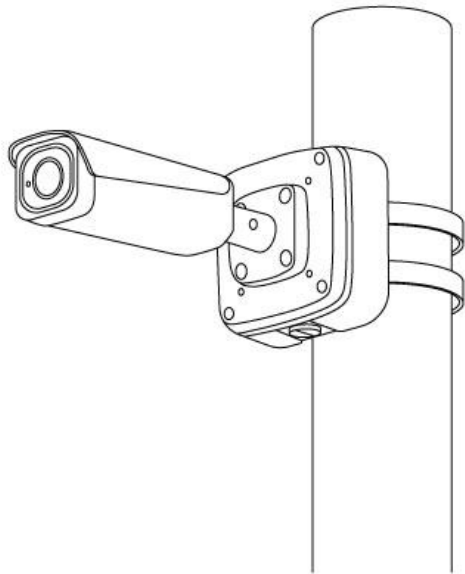
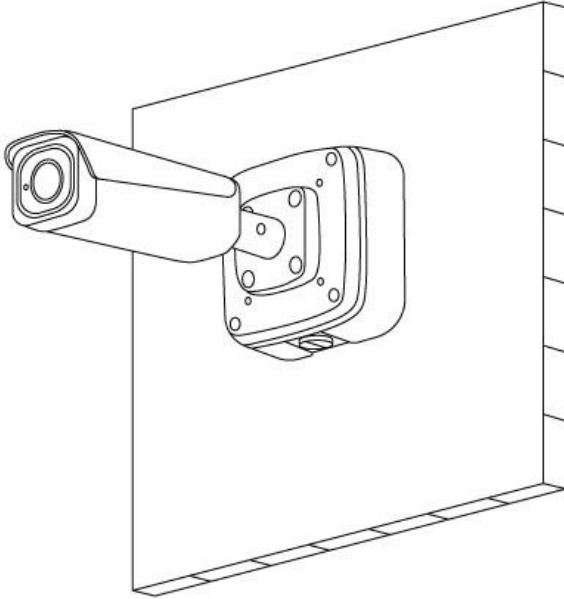
Environmental

Operating Conditions	-30°C ~ +60°C (-22°F ~ +140°F) / Less than 90% RH *Startup should be done at above -30°C (-22°F)
Storage Conditions	-30°C ~ +60°C (-22°F ~ +140°F) / Less than 90% RH
Ingress Protection & Vandal Resistance	IP67 & IK10

Construction

Casing	Aluminium
Dimensions	273.2mm×95.0mm×95.0mm (10.76"×3.74"×3.74")
Net Weight	1.16kg (2.56lb)
Gross Weight	1.52kg (3.35lb)

Mounting



Dimensions (mm/in)

