

MNT-IPMINIDOME-WALL

Waterproof wall mount bracket

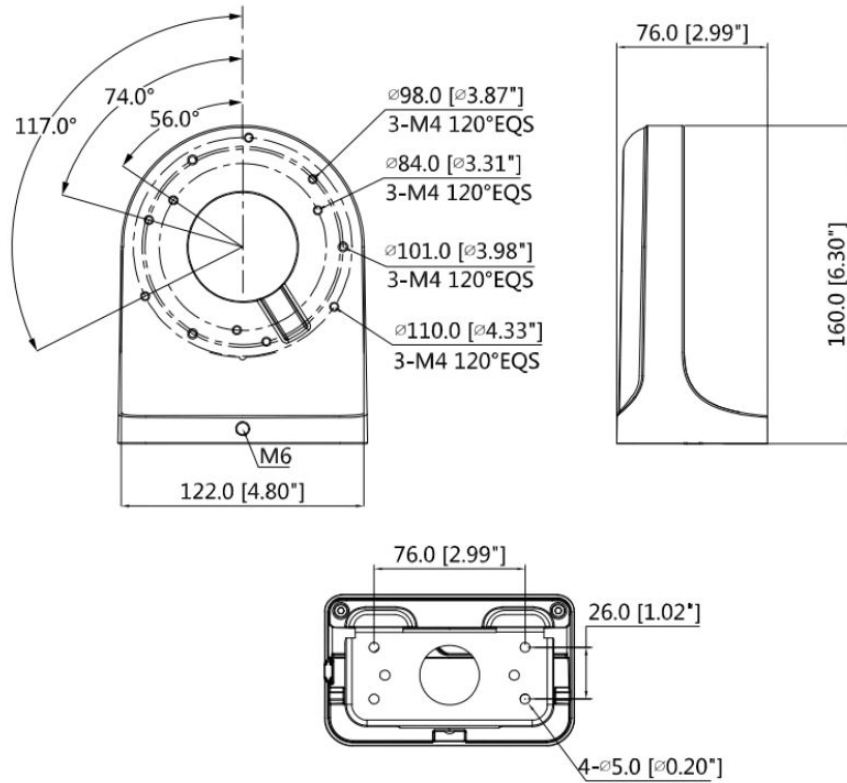


- Aesthetic design
- Material: Aluminum & SECC
- Waterproof wall mount bracket

Technical Specification

Model	MNT-IPMINIDOME-WALL
Physical Properties	
Material	Aluminum & SECC
Dimension(W xH xD)	6.30"x4.80"x2.99" (160mmx122mmx76mm)
Weight	1.1lb (0.5kg)
Load Bearing	1kg (2.2lb)
Color	White
Operating Temperature	40°C~60°C(-40°F~140°F)
Humidity	<90% RH

Dimensions (mm/in)



Application

