

# MNT-JUNCTION BOX 4

Waterproof Junction Box

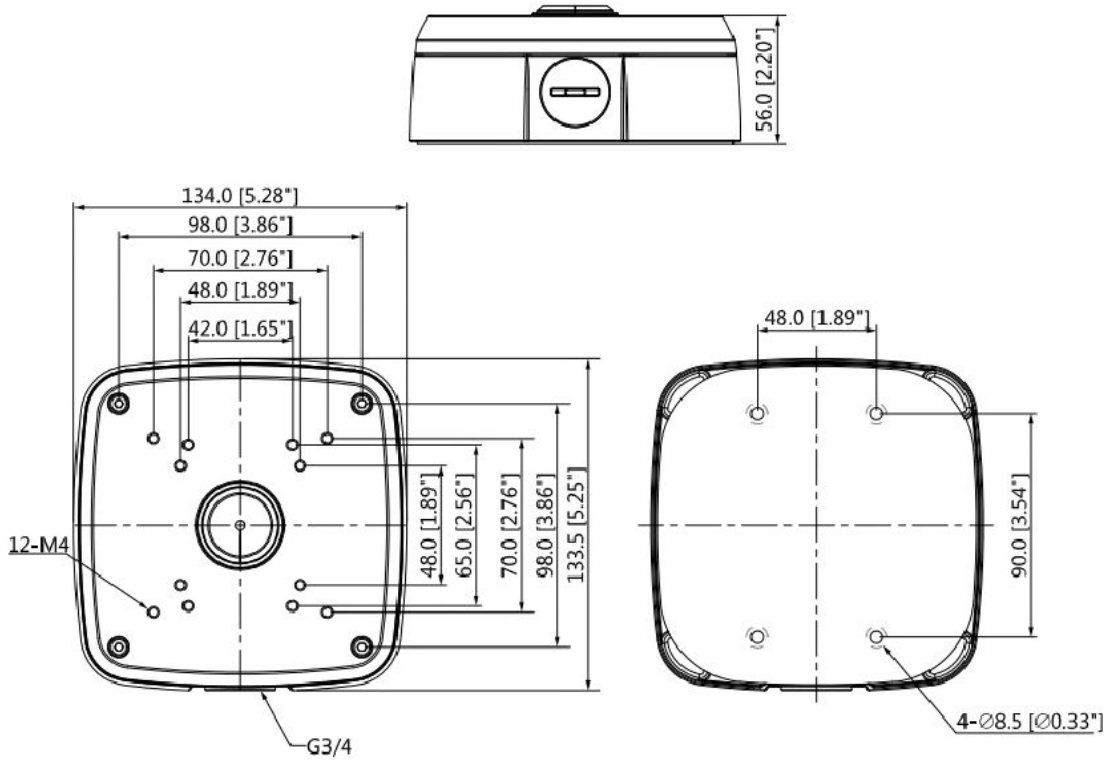


- Neat & Integrated Design
- Outdoor junction box
- Material: Aluminum
- Fits IP Bullet Cameras And 4 Hold Pattern Mini Domes

## Technical Specification

Model	MNT-JUNCTION BOX 4
<b>Physical Properties</b>	
Material	Aluminum
Dimension(W xH xD)	5.2"x5.2"x2.1" (134mm×134mm×55mm)
Weight	1.1lb (0.5Kg)
Threading	M20(G1/2")
Load Bearing	6.6lb (3Kg)
Color	White
Operating Temperature	-40°C ~ 60°C (-40°F ~ 140°F)
Applicable Models:	Compatible with IP Bullet Cameras And 4 Hold Pattern Mini Dome cameras. See compatibility list.

Dimensions (mm/in)



Application

