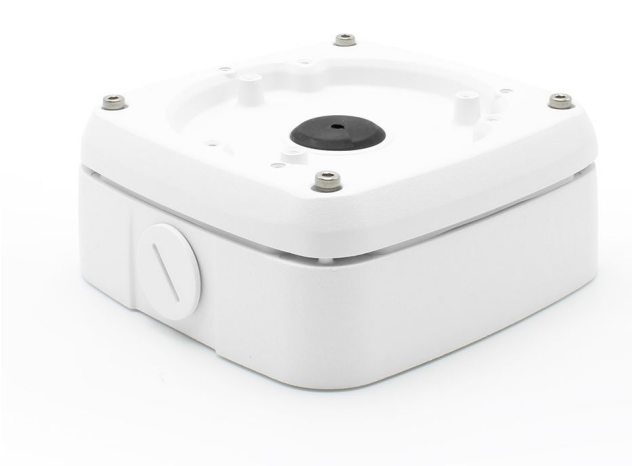


MNT-JUNCTIONBOX-6-SQ

Waterproof Junction Box

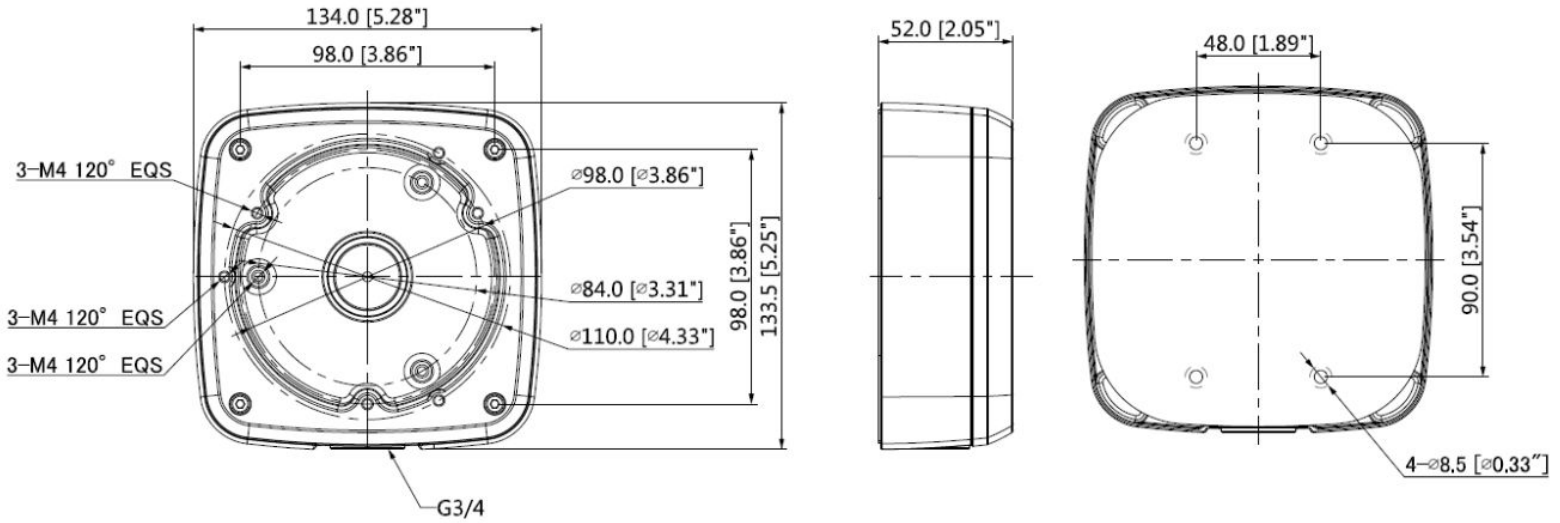


- Aesthetic design
- Material: Aluminum
- Outdoor Junction Box For Medium-Sized Dome Cameras
- IP66 Rated
- Mounting screws and hardware included

Technical Specification

Model	MNT-JUNCTIONBOX-6-SQ
Physical Properties	
Material	Aluminum
Protection	IP66
Dimension(W xH xD)	5.28"x5.25"x2.05" (134.0mmx133.5mmx52.0mm)
Weight	1.19lb (0.54kg)
Load Bearing	6.61lb (3.0kg)
Pipe Threading	G 3/4"
Color	White
Operating Temperature	-40F~+140F(-40°C~+60°C)
Humidity	0~90% RH
Applicable Models:	Medium-Sized Dome Cameras. See Accessory Compatibility List.

Dimensions (mm/in)



Application

