

MNT-MLD-ADAPTER

Adapter Plate

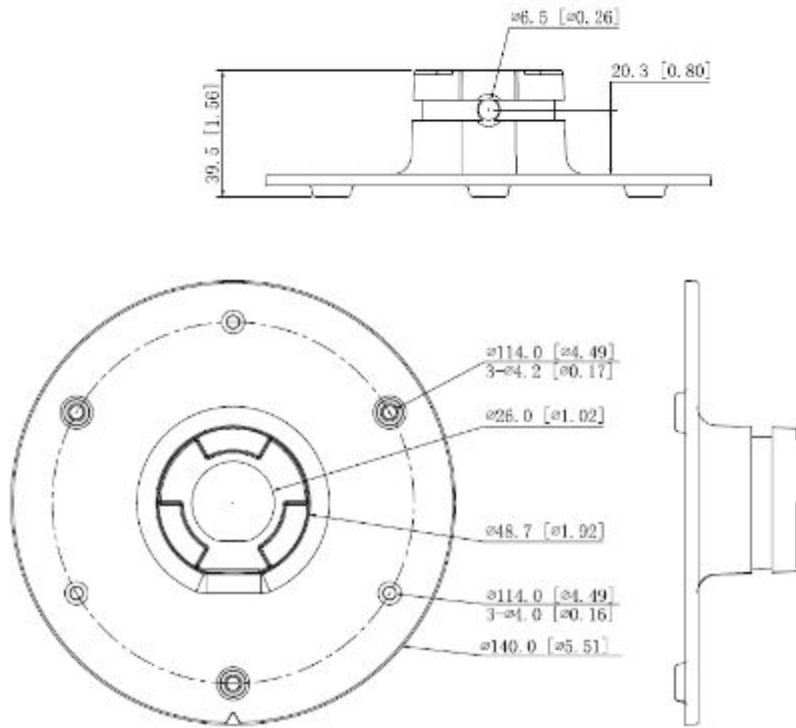


- Aesthetic design
- Aluminum Construction
- Fits IPEL-M80V-IRW1 and ICIP-MLD42-IR
- Includes M4x10 x3 and Wrench x1

Technical Specification

Model	MNT-MLD-ADAPTER
Physical Properties	
Material	Aluminum
Dimension(W xH xD)	140mmx39.5mm (φ5.51"x1.56")
Weight	0.23kg (0.51lb)
Load Bearing	3.0kg(6.61lb)
Color	White
Operating Temperature	40°C~60°C(-40°F~140°F)
Humidity	0~90% RH
Applicable Model	IPEL-M80V-IRW1 and ICIP-MLD42-IR

Dimensions (mm/in)



Application

