

MNT-N23X4D-MPA102

Wall Mount Adaptor

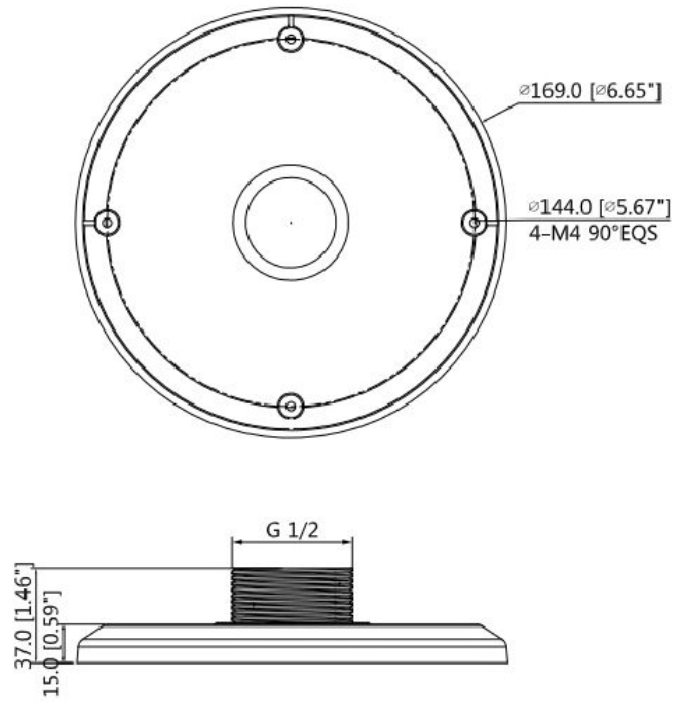


- Neat & Integrated Design
- Wall Mount Adaptor
- Material: Aluminum
- Compatible with IPTZ-N23X4-D And ICIP-P2012T Cameras.

Technical Specification

| | |
|----------------------------|---|
| Model | MNT-N23X4D-MPA102 |
| Physical Properties | |
| Material | Aluminum |
| Dimension(W xH xD) | 6.6"x 1.4" (169 mm×37 mm) |
| Weight | 0.25Kg (0.55lb) |
| Color | White |
| Applicable Models: | Compatible with ICIP-D2812SL5 and D3812SL5 cameras. See compatibility list. |

Dimensions (mm/in)



Application

