

1080P PIN HOLE CAMERA For Telephone Entry Systems



Ideal for adding video surveillance to Linear Telephone Entry Systems.



Record video of guests and events based on motion for playback later.

The Pin Hole Camera is easy to mount inside the Telephone Entry platform. Connect to LAN and configure with NVR. Optionally, store video on SDMicro card in camera.

Features

- H.264, H.265 Video Compression
- SDMicro Card, 128GB
- 1/2.8" Progressive Scan CMOS
- 3.7mm Lens
- 2MP (1080p) Resolution
- Multiple Streams
- Wide Dynamic Range (WDR)
- Region of Interest (ROI)
- Highlight Compensation (HLC)
- Corridor Mode

Benefits

- Excellent video image, 1080p Resolution, 30 FPS
- Add to building security, covert video surveillance
- Store video in camera on SDMicro Card
- Connect to NVR for longer storage duration
- ONVIF Profile S compliant
- Browser GUI: configuration, live & playback video
- Easy-to-install

1080P PIN HOLE CAMERA PRODUCT SPECIFICATIONS

CAMERA

Image Sensor	1/2.8" Progressive Scan CMOS
Min. illumination	Color 0.05Lux (AGC ON), B&W 0.01Lux (AGC ON)
Auto Iris	Fixed
Wide Dynamic Range	WDR>120dB
Digital Noise Reduction	3D
Lens	3.7mm
FOV	84°

IMAGE

Video Compression	H.265, H.264, MJPEG
Bit Rate (CBR/VBR)	Main stream: 500Kb - 12,000Kb Sub stream: 200Kb - 8,000Kb
Max. Resolution	1920x1080/30fps
Stream	Stream 1: 1920x1080 / 1280x720 Stream 2: D1/VGA/640x360/CIF /QVGA
Image Setting	Rotate Mode, Saturation, Brightness, Contrast, Sharpness
HLC	Auto
9:16 Corrido mode	Yes
ROI	Yes
Defog	Yes

NETWORK

Network Protocols:	IPv4, RTSP/RTP/RTCP, TCP/UDP, HTTPS, DHCP, DNS, DDNS, PPPoE, SMTP
Alarm Trigger	Motion Detection, Network disconnect, I/O alarm
RTSP Video	Standard RFC2326, Support QuickTime / VLC Player
Security	User security authentication, Reset, Hardware Watch Dog
System Compatibility	ONVIF (Profile S)

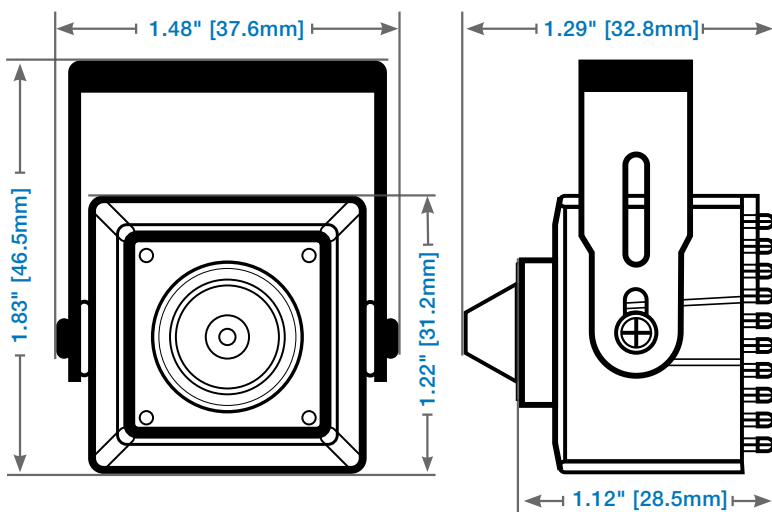
INTERFACE

Ethernet	1 Ethernet (10/100 Base-T) RJ-45 Connector
Edge Storage	SD/SDHC Max 128GB

GENERAL

Power Input	DC12V (e3 Entry provides power for the camera)
Operating Temperature	Starting Temperature: -10°C ~ 50°C (14°F ~ 122°F) Working Temperature: -20°C ~ 50°C (-4°F ~ 122°F)
Approvals	CE / FCC
Product Dimensions	37.6 x 32.8 x 46.5mm

Dimensions:



Ordering Information:

MODELS:

720-100128 Entry-Cam

COMPATIBLE WITH:

Model	Part Number	Description
EN-2A4	720-100101	ArmorTech Enclosure, 4.3-inch Screen (non-touch) w/Keypad
EN-2M4	720-100136	Metal Enclosure, 4.3-inch Screen (non-touch) w/Keypad

Nortek Security & Control | 1950 Camino Vida Roble | Suite 150 | Carlsbad, CA 92008 | 800.421.1587 | linear-solutions.com