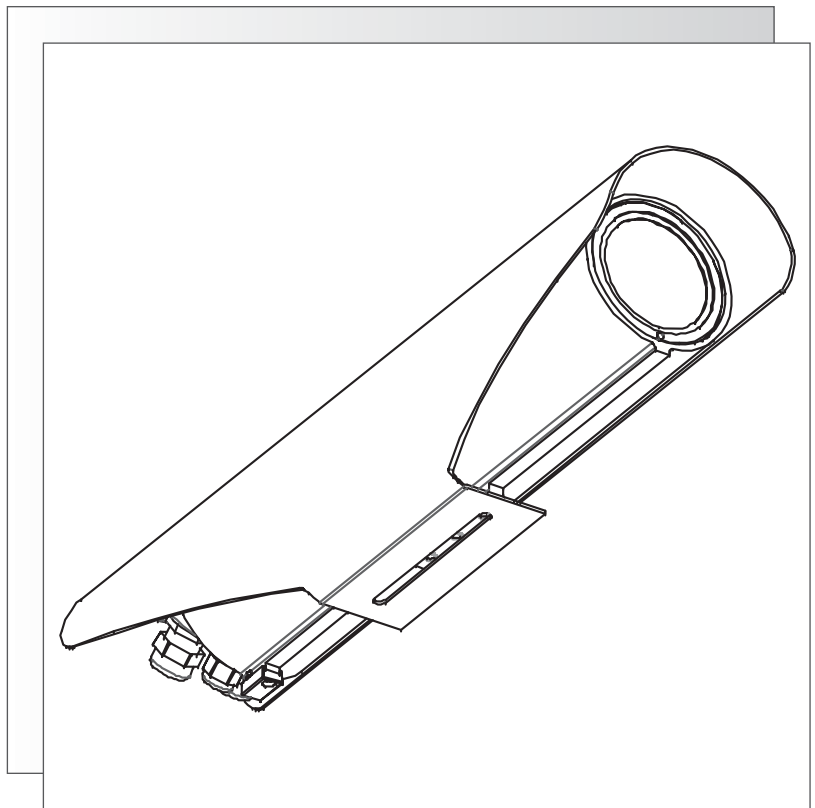


SUNSHIELD



HS9384SS

1 DESCRIPTION

Provides protection from the direct rays of the sun and promotes cooling to reduce internal housing temperatures.

HS9384SS: For use with HS9384 Series Housings.

2 UNPACKING

Unpack carefully. Check for the following:

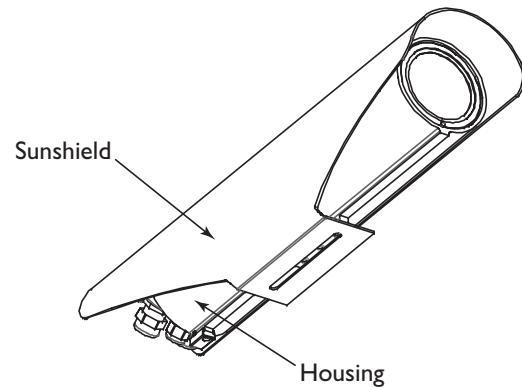
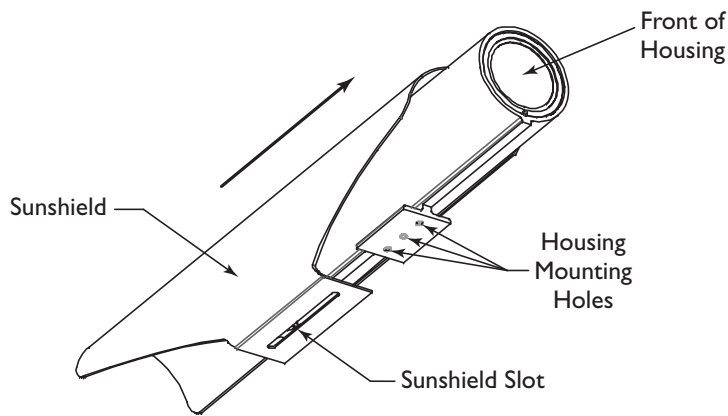
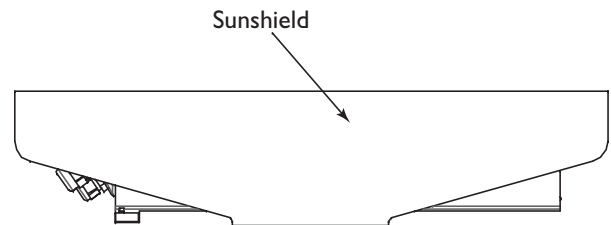
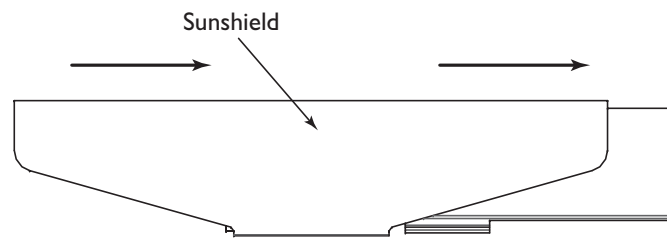
Item	Quantity
HS9384SS Sunshield	1

If an item appears to have been damaged in shipment, replace it properly in its carton and notify the shipper. If any items are missing, notify Aigis Mechtronics.

The shipping carton is the safest container in which the unit may be transported. Save it for possible future use.

3 INSTALLATION

1. Slide the sunshield onto the housing from the rear (shown) or the front of the housing.
2. Position the slot in the sunshield over the housing mounting holes.
3. Secure the sunshield by passing the housing mounting screws (not provided) through the sunshield slot and tightening them.
4. The sunshield can be adjusted forward and back for more or less overhang.



HS9384SS Sunshield Installation



©2002 Aigis Mechtronics
1124 Louise Road, Winston-Salem, NC 27107-5450
Tel: 336.785.7740 Fax: 336.785.7744

Data subject to change without notice

100 0031 001 AIG 10/02
Printed in U.S.A.