



Hyundai Santa Fe (with factory NAV) 2008-2009

KIT FEATURES

- ISO DIN radio provision with pocket
- ISO DDIN radio provision

KIT COMPONENTS

- A) Radio trim panel • B) Radio brackets • C) Pocket • D) (4) #8 x 3/8" Phillips screws • E) (4) #6 x 3/8" Phillips screws

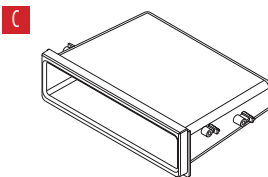
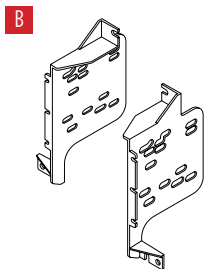
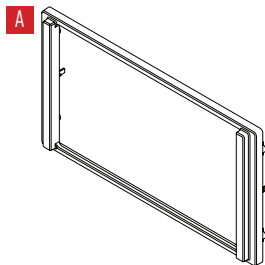


TABLE OF CONTENTS

Dash Disassembly.....	2
Kit Assembly	
–ISO DIN radio provision with pocket.....	3
–ISO DDIN radio provision.....	3

WIRING & ANTENNA CONNECTIONS (sold separately)

- Wiring Harness: 70-1004
- Antenna Adapter: Not required
- Steering Wheel Control Interface: ASWC-1

TOOLS REQUIRED

- Panel removal tool • Phillips screwdriver

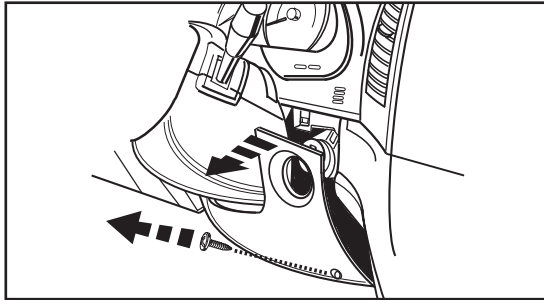
CAUTION! All accessories, switches, climate controls panels, and especially air bag indicator lights must be connected before cycling the ignition. Also, do not remove the factory radio with the key in the on position, or while the vehicle is running.

DASH DISASSEMBLY

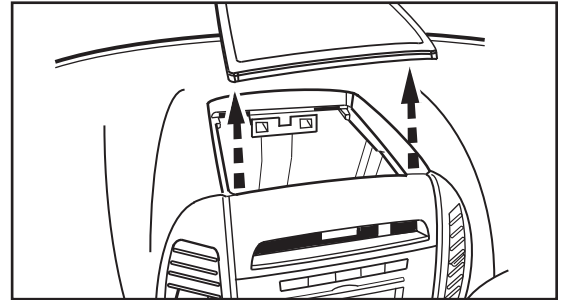
1. Remove (1) Phillips screw from the right side of the panel below the steering column then unclip and let right side of panel hang. (Figure A)
2. Unclip and remove the cover above the clock on top of panel surrounding the radio. (Figure B)
3. Unclip and remove the panel extending across the dash below the a/c control and above the glove box including the ash tray. (Figure C)
4. Remove (2) Phillips screws then unclip and remove the panel surrounding the radio including the A/C vents. (Figure D)
5. Remove (4) Phillips screws securing the radio. Unplug and remove radio.

Note: Illustrations shown are not actual representation of the vehicle.

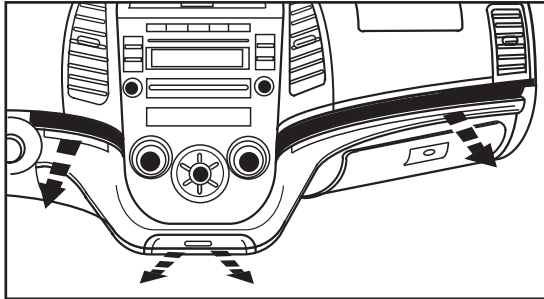
Continue to Kit Assembly



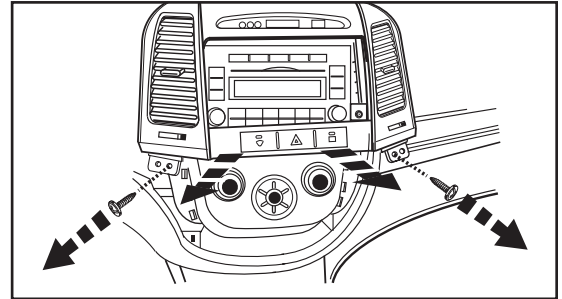
(Figure A)



(Figure B)



(Figure C)

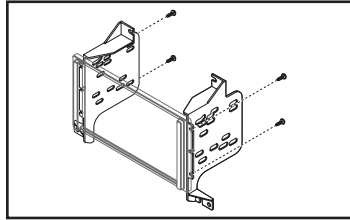


(Figure D)

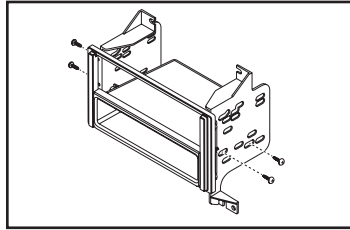
KIT ASSEMBLY

ISO DIN radio provision with pocket

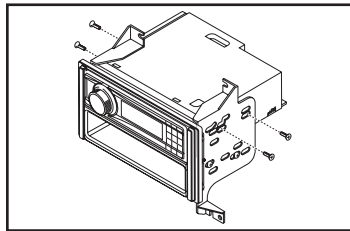
1. Attach the *radio brackets* to the *radio trim panel* using the (4) #6 x 3/8" Phillips screws provided. (Figure A)
2. Attach the *pocket* to the *radio brackets* using the (4) #8 x 3/8" Phillips screws provided. (Figure B)
3. Remove the metal DIN sleeve and trim ring from the aftermarket radio.
4. Slide the radio into the bracket/pocket assembly and then secure it using the screws supplied with the radio. (Figure C)
5. Locate the factory wiring harness and antenna connector in the dash, and complete all necessary connections to the radio. Metra recommends using the proper mating adapter from Metra and/or Axxess. Test the radio for proper operation.
6. Reassemble the dash in reverse order of disassembly.



(Figure A)



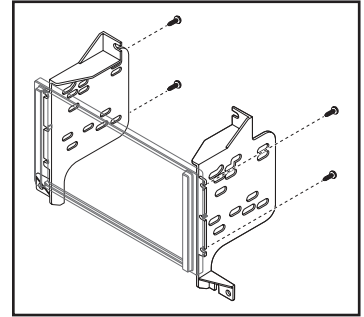
(Figure B)



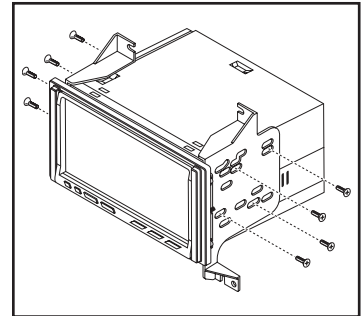
(Figure C)

ISO DDIN radio provision

1. Attach the *radio brackets* to the *radio trim panel* using the (4) #6 x 3/8" Phillips screws provided. (Figure A)
2. Slide the radio into the bracket assembly and then secure it using the screws supplied with the radio. (Figure B)
3. Locate the factory wiring harness and antenna connector in the dash, and complete all necessary connections to the radio. Metra recommends using the proper mating adapter from Metra and/or Axxess. Test the radio for proper operation.
4. Reassemble the dash in reverse order of disassembly.



(Figure A)



(Figure B)



99-7381
INSTALLATION INSTRUCTIONS



IMPORTANT

If you are having difficulties with the installation of this product, please call our Tech Support line at 1-800-253-TECH. Before doing so, look over the instructions a second time, and make sure the installation was performed exactly as the instructions are stated. Please have the vehicle apart and ready to perform troubleshooting steps before calling.



KNOWLEDGE IS POWER

Enhance your installation and fabrication skills by enrolling in the most recognized and respected mobile electronics school in our industry. Log onto www.installerinstitute.com or call 800-354-6782 for more information and take steps toward a better tomorrow.



Metra recommends MECP certified technicians