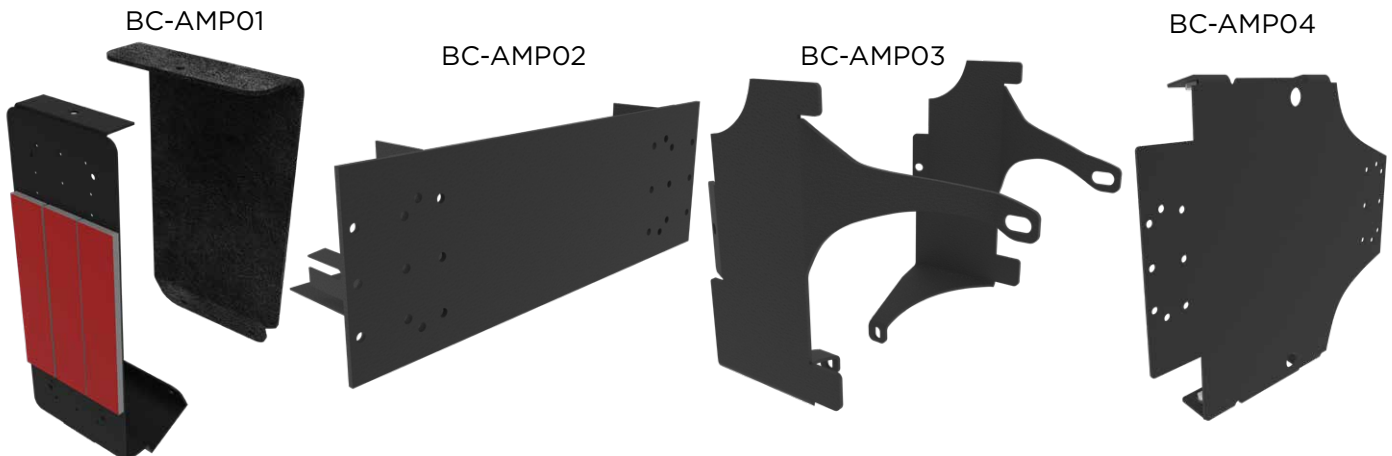


HARLEY-DAVIDSON® AMPLIFIER MOUNTS



CELEBRATING
70
YEARS
OF INNOVATION



BC-AMP01 / BC-AMP02 / BC-AMP03 / BC-AMP04 HARLEY-DAVIDSON® AMPLIFIER MOUNTS



SALES 800-221-0932

PRODUCT OVERVIEW

Saddle Tramp has designed vehicle-specific Harley-Davidson mounting brackets to fit Metra PowerSports amplifiers, which may also fit other micro-amps. Featuring durable steel construction with UV powder coating.

BC-AMP01

Fits all Harley-Davidson Touring models with hard saddlebags

- No drilling required
- Steel construction with UV powder coating
- Pre-drilled for Metra PowerSports amps: MPS-AMP60x4, MPS-AMP100x2, MPS-AMP200-2D
- Works with most other micro-amps
- Molded carpet cover for protection and a clean look

BC-AMP02

Fits 1998-2013 Harley-Davidson Touring Street Glide Models with batwing fairing

- No drilling required
- Steel construction with UV powder coating
- Pre-drilled for Metra PowerSports amps: MPS-AMP60x4, MPS-AMP100x2, MPS-AMP200-2D, MPS-AMP850-5D, MPS-AMP125-4D
- Works with most other micro-amps

BC-AMP03

Fits 1998-2013 Harley-Davidson Touring Street Glide models with batwing fairing

- Used for batwing fairing bracket repair
- Can be used for installation of 2 amplifiers, drilling required
- Steel construction with UV powder coating
- Works with most other micro-amps

BC-AMP04

Fits 2015 and Up Harley-Davidson Road Glide models*

- No drilling required
- Steel Construction with UV powder coating
- Pre-drilled for Metra Powersports Amps: MPS-AMP60x4, MPS-AMP100x2, MPS-AMP200-2D
- Works with most other micro-amps

www.MetraOnline.com

1-800-221-0932 | 386-257-1186

© COPYRIGHT 2019 METRA ELECTRONICS CORPORATION 3/19



WARNING:
Cancer and Reproductive Harm
www.P65Warnings.ca.gov