



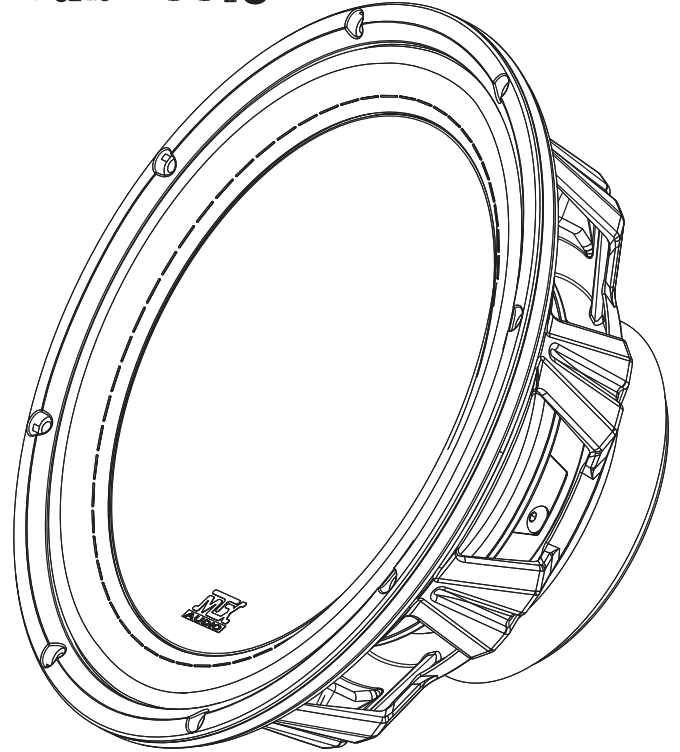
3510-04

500W Peak Power Subwoofer

Parameters

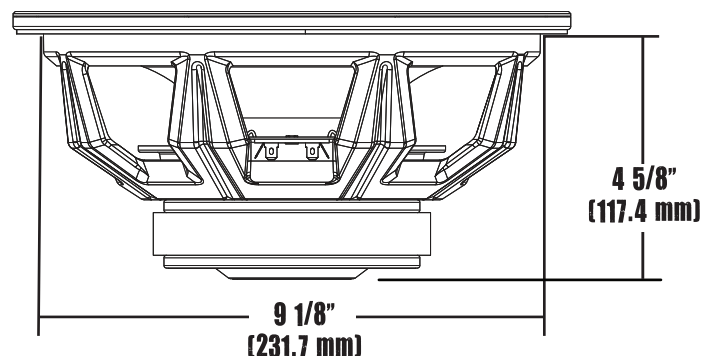
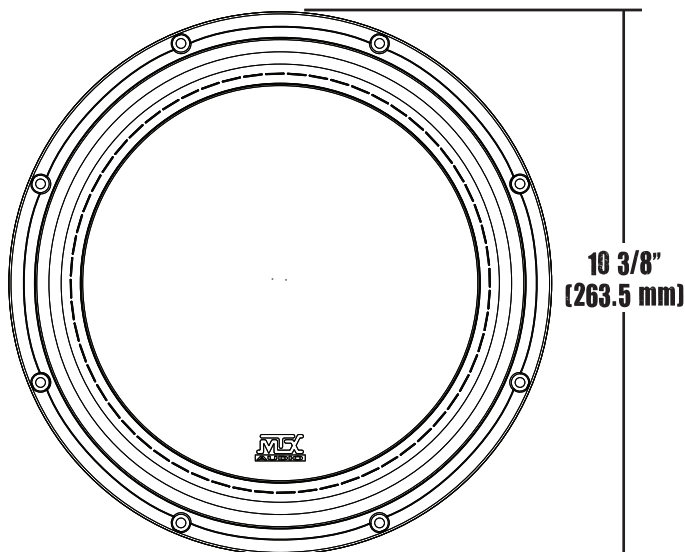
Los parámetros, Paramètres, Parameter

Fs: 33 Hz
Qms: 3.751
Cms: 0.183 mm/N
Mms: 127.4 g
Rms: 7.04 kg/s
Vas: 1.39 ft³ (39.4 liters)
Xmax: 0.32 in (8.128 mm)
D: 8.84 in (224.536 mm)
Sd: 57.195 in² (369 cm²)
Vd: 19.69 in³ (0.322 liters)
Qes: 1.058
Re: 3.47 Ω
Bl: 9.31 Tm
Prms: 250 Watts
Qts: 0.825
n0: 0.129%
SPLo: 83.3 dB
SPL 2.83V/1m: 86.9 dB



Specifications

Las especificaciones, Specifications, Spezifikationen



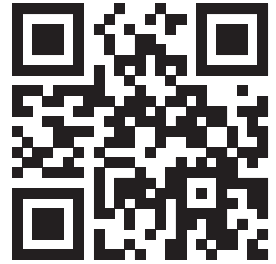
Recommended Power Rating of 125 - 250 Watts RMS

La Potencia nominal recomendada, Le Pouvoir recommandé Evaluant, Empfohlene Kraft Einzuschätze

3510-04 Recommended Enclosures

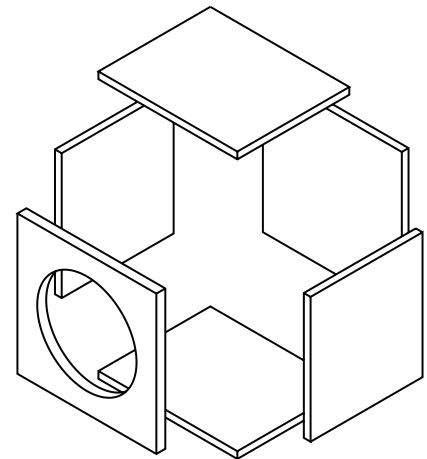
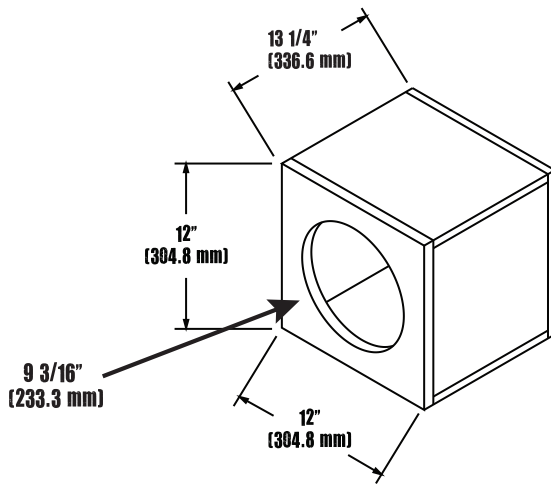
For the best possible sound quality where space is a premium, MTX recommends using a sealed enclosure. For excellent sound quality with increased output compared to sealed enclosures (3dB or more), MTX recommends using a vented enclosure. All recommended enclosures have been designed and thoroughly tested by MTX.

For additional enclosure designs check the MTX website, the barcode will take you to the box design page.



Sealed Enclosure

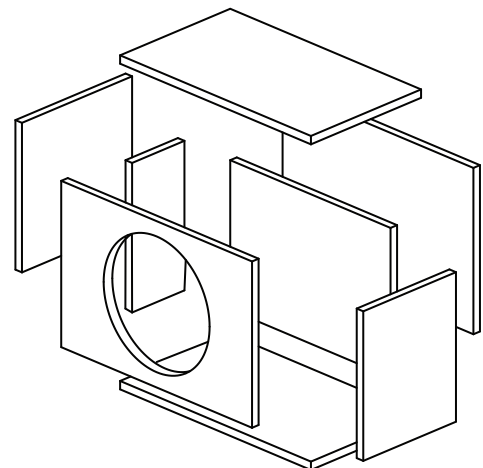
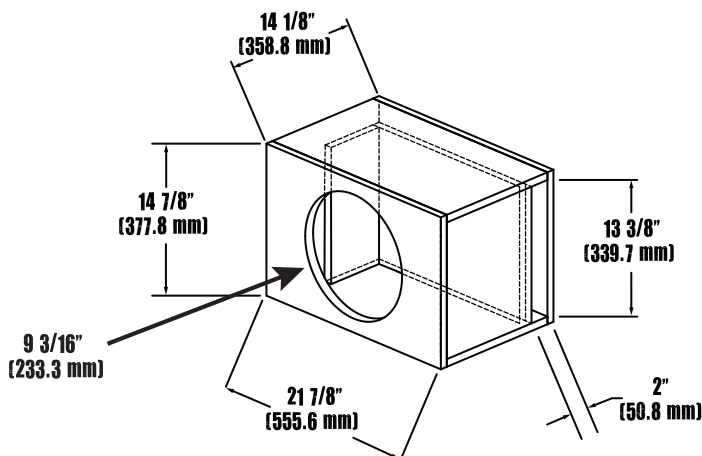
El Cerco sellado, Cloture scellée, Abgedichtete Einschließung



Net Internal Volume: 0.75 ft³

Vented Enclosure

Descargar Cerco, Cloture dorsière vent, Vented Einschließung



Net Internal Volume: 2.00 ft³