



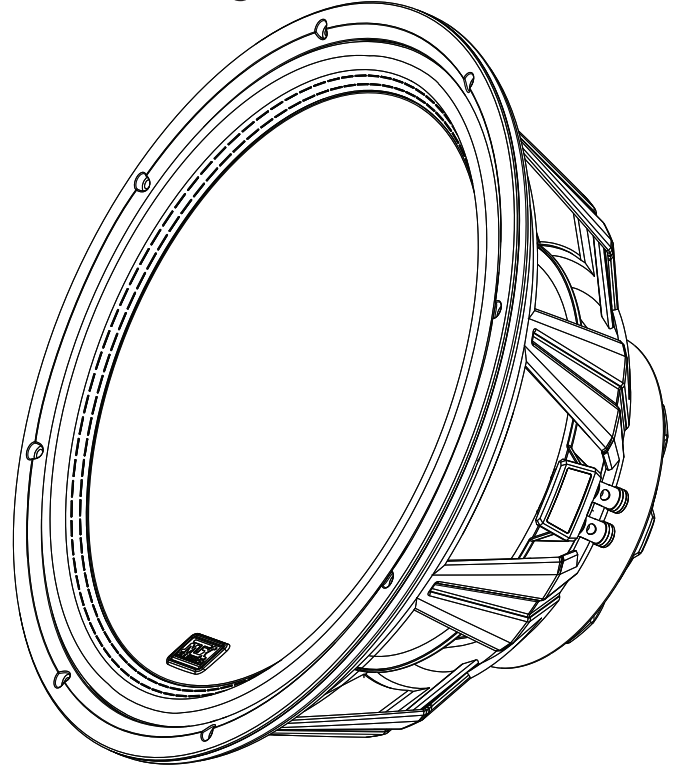
# 5515-44

## 800W Peak Power Subwoofer

### Parameters

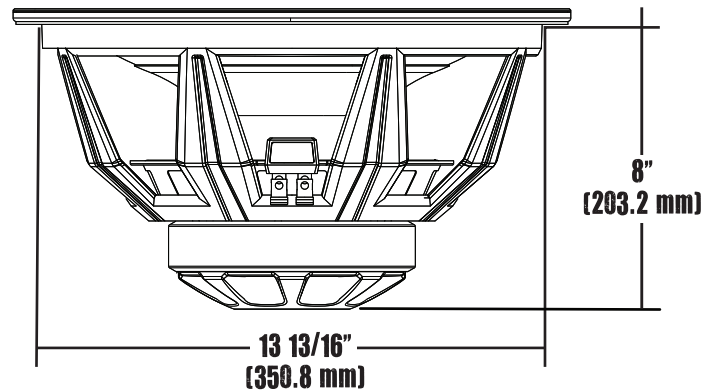
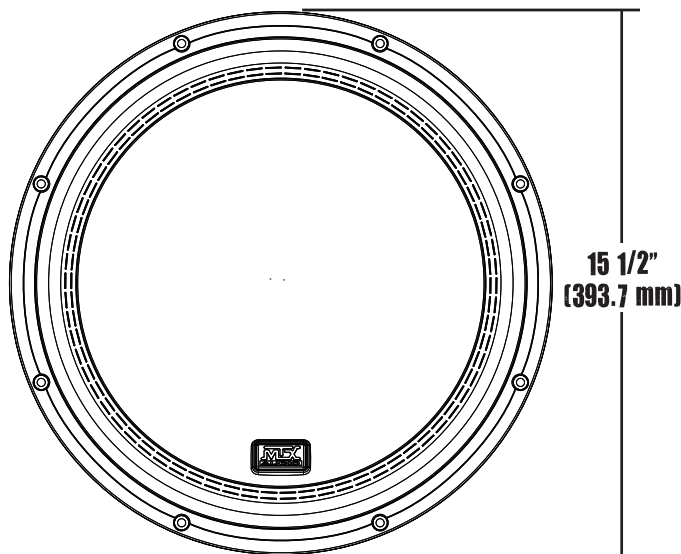
Los parámetros, Paramètres, Parameter

- Fs: 24 Hz
- Qms: 2.773
- Cms: 0.145 mm/N
- Mms: 300 g
- Rms: 16.48 kg/s
- Vas: 6.134 ft<sup>3</sup> (173 liters)
- Xmax: 0.6 in (15.24 mm)
- D: 13.46 in (341.884 mm)
- Sd: 142.38 in<sup>2</sup> (918.6 cm<sup>2</sup>)
- Vd: 85.43 in<sup>3</sup> (1.399 liters)
- Qes: 1.21
- Re: 1.67  $\Omega$
- Bl: 8.21 Tm
- Prms: 400 Watts
- Qts: 0.79
- n0: 0.207%
- SPLo: 85.4 dB
- SPL 2.83V/1m: 92.2 dB



### Specifications

Las especificaciones, Specifications, Spezifikationen

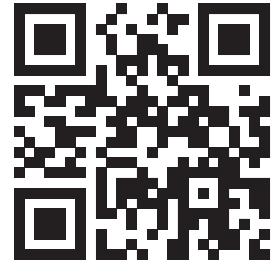


## Recommended Power Rating of 200 - 400 Watts RMS

La Potencia nominal recomendada, Le Pouvoir recommandé Evaluant, Empfohlene Kraft Einzuschätze

# 5515-44 Recommended Enclosures

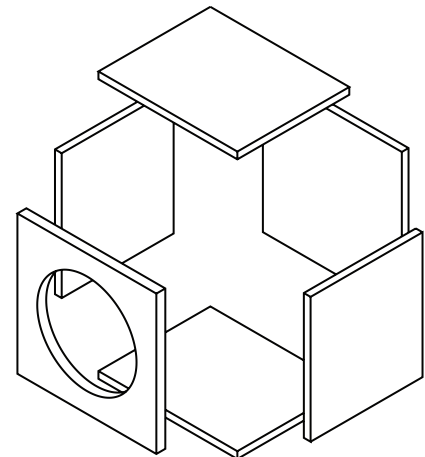
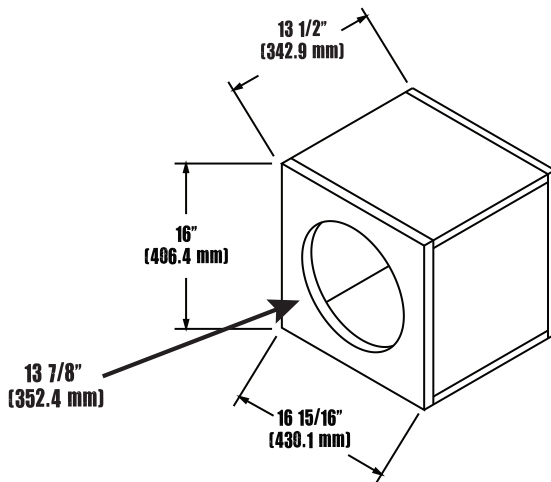
For the best possible sound quality where space is a premium, MTX recommends using a sealed enclosure. For excellent sound quality with increased output compared to sealed enclosures (3dB or more), MTX recommends using a vented enclosure. All recommended enclosures have been designed and thoroughly tested by MTX.



For additional enclosure designs check the MTX website, the barcode will take you to the box design page.

## Sealed Enclosure

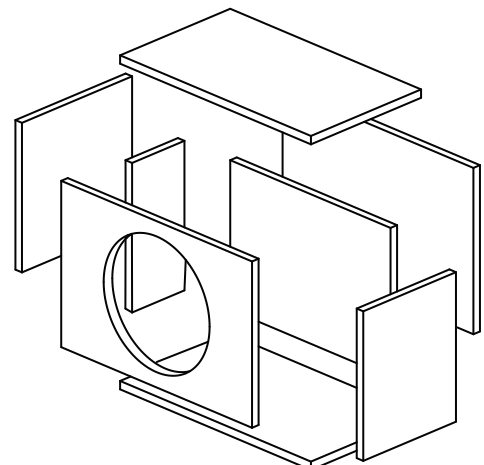
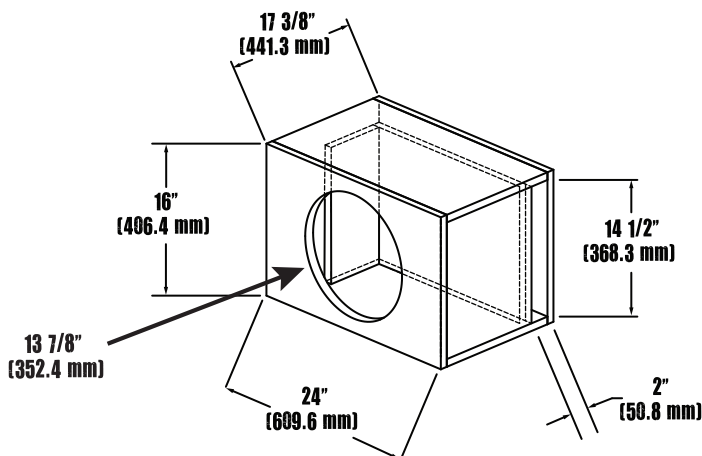
El Cerco sellado, Cloture scellée, Abgedichtete Einschließung



Net Internal Volume: 1.50 ft<sup>3</sup>

## Vented Enclosure

Descargar Cerco, Cloture dorsière vent, Vented Einschließung



Net Internal Volume: 2.48 ft<sup>3</sup>