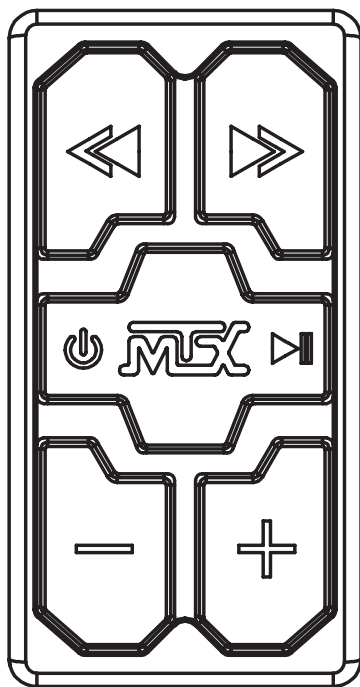




THUNDER
SPORTS™



**AWBTSW
BLUETOOTH SOURCE CONTROLLER
OWNER'S MANUAL**



PRODUCT INFORMATION

Model # _____
Serial # _____
Dealer's Name _____
Date of Purchase _____

IN THE BOX

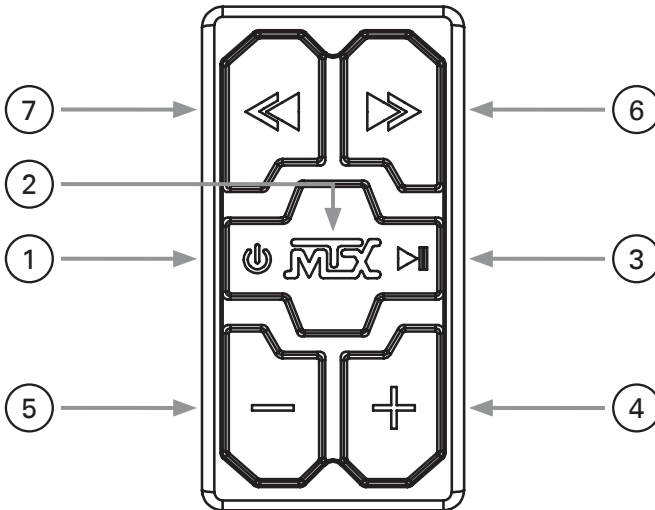
- Bluetooth® Receiver / Remote Control with attached Installation Cables
(Power / Ground / Accessory)

INTRODUCTION

Thank you for purchasing this MTX Audio Bluetooth® Remote Control that is designed to work with most Bluetooth® enabled devices including iPhone® and Android® smartphones and tablets. This easy to install and use all-in-one unit is capable of transforming your Bluetooth® enabled mobile device into the center of your vehicle's audio system. Designed to mount to a variety of vehicles and able to work with most amplifiers, the AWBTSW can be used on side-by-sides, boats, cars, or trucks. Congratulations and enjoy the ultimate audio experience with MTX!

FEATURES

- Bluetooth® Receiver and Remote Controller
- Controls: Volume +/-, Track +/-, Pause, Bluetooth® & Aux Input
- Mounts into a Standard Carling Switch Opening
- 3.5mm Output & Auxiliary Input
- Volume Controls the BT & AUX
- Remote Amplifier Turn On / Off Output
- IP65 Rated, Weather-Proof Design
- Six Front Panel Touch Controls
- Works with Most Bluetooth® Devices Including Smartphones and Tablets



GENERAL OPERATION

1. Power - Press & hold to power on. The AWBTSW defaults to BT mode, which is indicated by the center button constantly backlit BLUE.
2. Mode - Press & hold to switch from BT to AUX input. When in AUX mode the buttons will be constantly backlit RED. When in BT mode the buttons will be constantly backlit BLUE. **Note:** Make sure to evenly press the MTX logo section to avoid pressing the Power button or Play/Pause button.
3. Play/Pause - Press once for play/pause.
4. Volume Up - Press to increase volume.
5. Volume Down - Press to decrease volume.
6. Track Forward - Press to play the next track.
7. Track Back - Press to play the previous track.

BLUETOOTH® PAIRING

1. Turn on AWBTSW by pressing the power button.
2. If not already paired with another learned device, the AWBTSW will automatically enter pairing mode, which is indicated by the backlight flashing BLUE.
3. From your phone's Bluetooth® pairing menu find the AWBTSW and connect to it.

You are now paired to the AWBTSW and will automatically default to this device if in range whenever the AWBTSW is powered on.

MOUNTING

The AWBTSW is designed to snap into a standard Carling style switch opening, which is commonly used in the dashboard of many automobiles and off-road vehicles.

WIRING

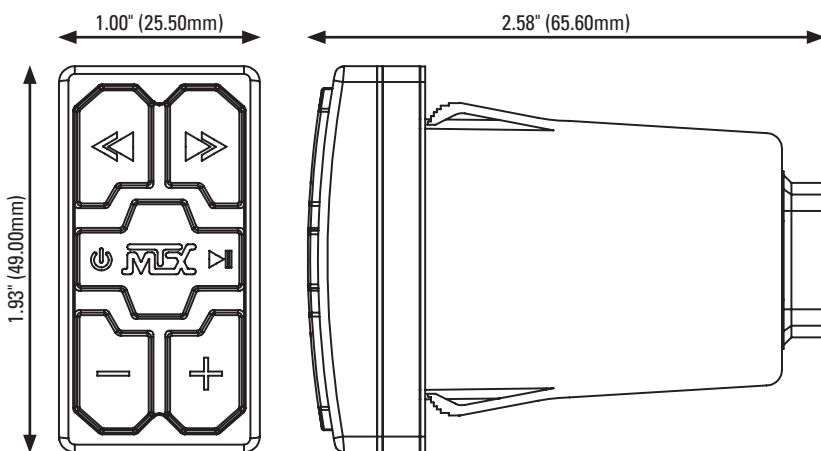
Red - Connect to +12V for Power

Blue - Connect to amplifier to turn on amp when the AWBTSW is powered ON

Black - Connect to -12V for Ground

Main Output - Connect to amplifier input

AUX Input - Connect to an optional auxiliary source other than Bluetooth®



Hole Cut Out Size 0.85" x 1.45"



MUD NATION[®]
LET'S DO SOMETHING DIRTY[®]

This equipment has been tested and found to comply with the limits for a Class B digital device, pursuant to Part 15 of the FCC rules. These limits are designed to provide reasonable protection against harmful interference in a residential installation. This equipment generates, uses, and can radiate radio frequency energy and, if not installed and used in accordance with the instructions, may cause harmful interference to radio communications. However, there is no guarantee that interference will not occur in a particular installation. If this equipment does cause harmful interference to radio or television reception, which can be determined by turning the equipment off and on, you are encouraged to try to correct the interference by one or more of the following measures:

- Reorient or relocate the receiving antenna.
- Increase the separation between the equipment and receiver.
- Connect the equipment to an outlet on a different circuit than the one to which the receiver is connected.
- Consult the dealer or an experienced radio/TV technician for help.

Changes or modifications not expressly approved by Mitek Corporation could void the user's authority to operate this equipment. This device complies with part 15 of the FCC Rules. Operation is subject to the following two conditions: (1) This device may not cause harmful interference, and (2) this device must accept any interference received, including interference that may cause undesired operation

© 2018 Mitek Corporation. All rights reserved. MTX, Mud Nation, and Let's Do Something Dirty are trademarks of Mitek Corporation. All other trademarks are property of their respective owners. Designed and Engineered in the U.S.A.

Due to continual product development, all specifications are subject to change without notice.

MTX Audio, 4545 East Baseline Rd. Phoenix, AZ 85042 U.S.A. 1-800-225-5689

MTX005861 RevC 6/19 • AW0015759 • 21A10743