



ALL-WEATHER UNIVERSAL CAGE MOUNT SPEAKERS



PS65C-BP

Let's Get Social
mtx.com



Like, Follow, & Subscribe

© 2023 MTek Corporation. All rights reserved. MTX is a trademark of MTek Corporation. All other trademarks are property of their respective owners. Designed and Engineered in the U.S.A.
Due to continual product development, all specifications are subject to change without notice.
MTX Audio, 4545 East Baseline Rd. Phoenix, AZ 85042 U.S.A. 1-800-225-5689
MTX007152 RevB 8/23 • AW0016157 • 1-19257

INTRODUCTION

Congratulations on the purchase of your new MTX Audio product. At MTX, we strive to create products that deliver musical reproduction at its best, and we are happy that you chose us for your audio needs. Through our years of engineering experience, hands-on development, and stringent testing procedures, we have created a family of products that deliver the musical experience you not only want but deserve.

For best performance and longevity of your audio gear, we recommend you have your new MTX product installed by an Authorized MTX Audio Dealer. Their installation knowledge and expertise will ensure you get the most out of your new equipment while safeguarding against potential issues. Also, please read your product warranty carefully and retain your receipt and original carton for possible future use.

We're here to help with any installation or technical support. Visit www.mtx.com to chat, call 1-800-225-5689 to speak with an MTX Technical Support representative, or visit www.youtube.com/user/MTXAudioUSA to view product videos.

Don't forget to register your new MTX Audio product. Visit www.mtx.com/productregistration or scan the QR code below.

Model # _____

Serial # _____

Dealer's Name _____

Date of Purchase _____



TABLE OF CONTENTS

2. Introduction / Safety
3. Features / Ratings / Package Contents
4. Installation
6. Wiring
7. Specifications / Diagrams
8. Warranty

SAFETY

- Please read and follow these instructions to prevent injury and damage to the unit.
- If you are unsure about installing the system by yourself, please have it installed by a qualified MTX Audio technician.
- Whenever working on the vehicle, it is recommended to disconnect the battery prior to starting work. Failure to do so may lead to a risk of electric shock or equipment damage.

When connecting power and ground wires ensure that the red power wire is fused at the point where it is connected to the vehicle's battery. Failure to do so can result in damage to the vehicle if a short circuit develops between the vehicle connection point and the product.

⚠ WARNING: This symbol with "WARNING" is intended to alert the user to the presence of important operating and maintenance (servicing) instructions in the literature accompanying the product.

⚠ CAUTION: This symbol with "CAUTION" is intended to alert the user to the presence of important operating and maintenance (servicing) instructions in the literature accompanying the product.

FEATURES

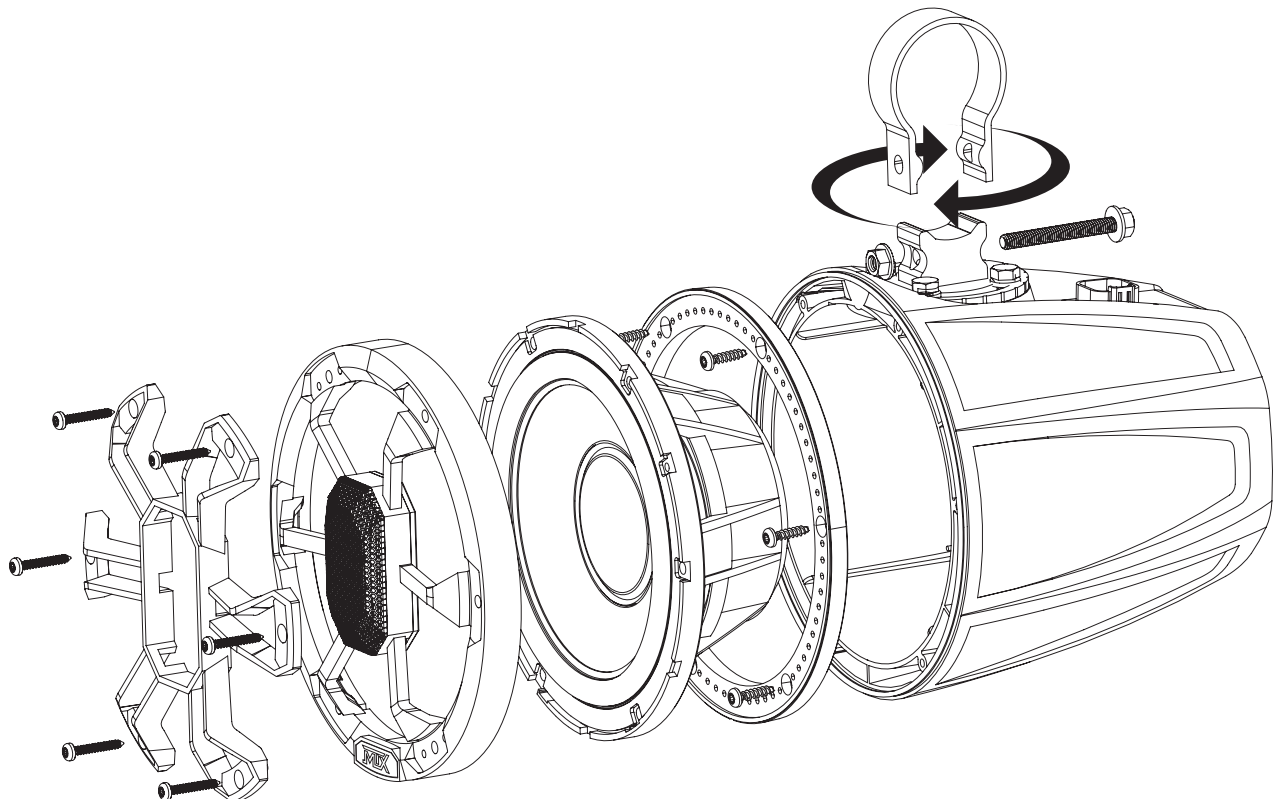
- Integrated RGB LED Lighting
- Includes Brackets for 1.75", 1.85", and 2" Bars
- Rotating Clamp Assembly with Integrated Indexing Points
- ASA Impact Resistant Enclosure and Grille
- Polypropylene Woofer and Dual Tetron Dome Tweeters
- Paintable Speaker Mounting Ring and Grille Overlay
- 6-Pin Waterproof Deutsch / Amphenol Connector
- Rotating Speaker Assembly - 5 Degree Increments

RATINGS

- ASTM G154 UV Testing - 500 Hours
- ISO 16750-4 Salt Spray Testing - 500 Hours
- IP67 Rated
- Mounting Assembly Shock tested to 16G
- CEA-2031 Compliant

PACKAGE CONTENTS

- (1) Pair Speakers and Enclosures
- (2) 6-Wire Pigtail Connectors
- (2) Rear Logo Badges
- (2) Mounting Clamp Assemblies
 - (2) Base Plates
- (6) Bracket Straps
 - (2) 2"
 - (2) 1.85"
 - (2) 1.75"
- For Mounting the Bracket Base to the Enclosure:
 - (8) M6-1.0x14mm Stainless Steel Hex Bolts
 - (8) M6 Stainless Steel Flat Washers
 - (8) M6 Stainless Steel Split Lock Washers
- For Tightening the Bracket Strap to the Base:
 - (2) M6-1.0x50mm Stainless Steel Hex Bolts
 - (2) M6 Stainless Steel Serrated Flange Lock Nuts



INSTALLATION

1. Choose appropriate bracket clamp, 1.75", 1.85", and 2", for the application. If using the PS65C-BP with a ProFit or Profile style cage, use optional **MUDPFC** brackets (*sold separately*), to attach speaker enclosure to cage.
2. Attach bracket base to enclosure at desired angle using a minimum of two (2) M6-1.0x14mm Hex bolts and M6 lock washers. If only two (2) bolts are used, ensure there is a bolt on each side of the round base for secure mounting.
3. Slide bracket clamp over pipe or bar at desired mounting location.
4. Hold the enclosure in place where the base fits in the open section of the clamp. Then place the M6-1.0x50mm Hex bolt through making sure the threads are towards the front of the enclosure.
5. Tighten the M6 serrated nut onto the bolt until the bracket is tight. The nut is serrated and will lock in place. The speaker will not rotate on the bar if it is mounted when these are fully tightened.
6. Adjust and tighten the bolts to the desired position making sure to use a minimum of two bolts, one on each side. Depending on the position of the speaker, only two (2) insertion points will be usable.

To help with left and right speaker alignment, we have added indexing points along the circumference of the base plate shown in Figure 2. These can be used as a reference upon installation to ensure the speakers are positioned at the correct angles relative to one another before final tightening of the bolts.

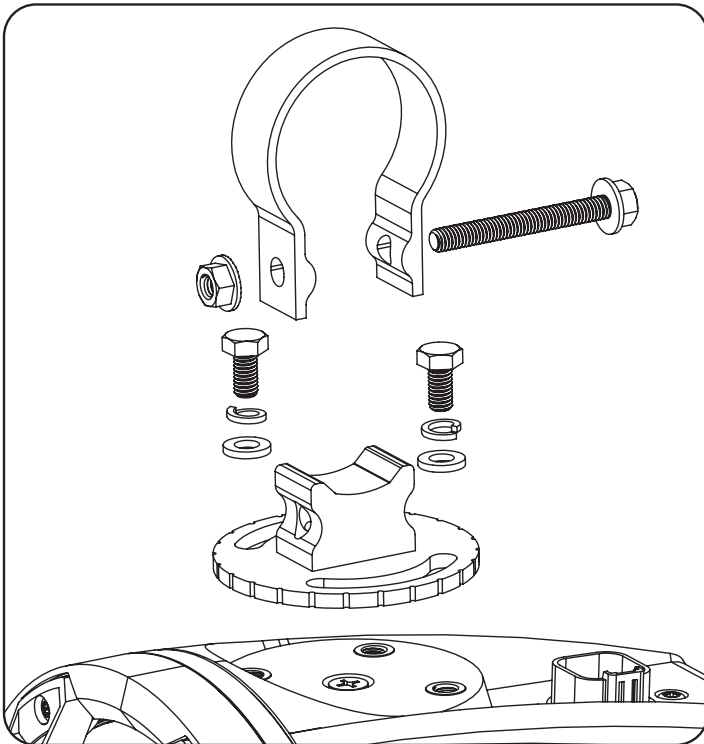


Figure 1

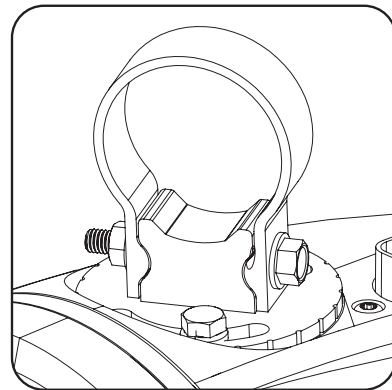
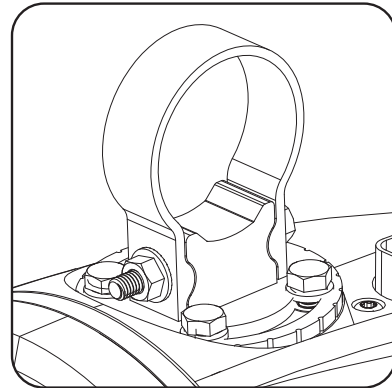


Figure 2

MTX RECOMMENDS

The MUDPFC is a replacement clamp designed to fit ProFit or Profile style cages. Includes brackets for two (2) PS65C-BP speakers.



7. Attach the MTX badge to the rear recess of the enclosure with the included double stick tape.

Customize the Look

If you wish to customize the look of your speaker cans, the grille insert, and speaker spacer ring as highlighted in Figure 3 can be painted to match your vehicle color scheme. Disassembly of the can is required to remove and paint the spacer ring. Take care not to damage any of the wire connections and take note of the connection position for reassembly. Also take note of the positioning of the speaker in the can for alignment reasons.

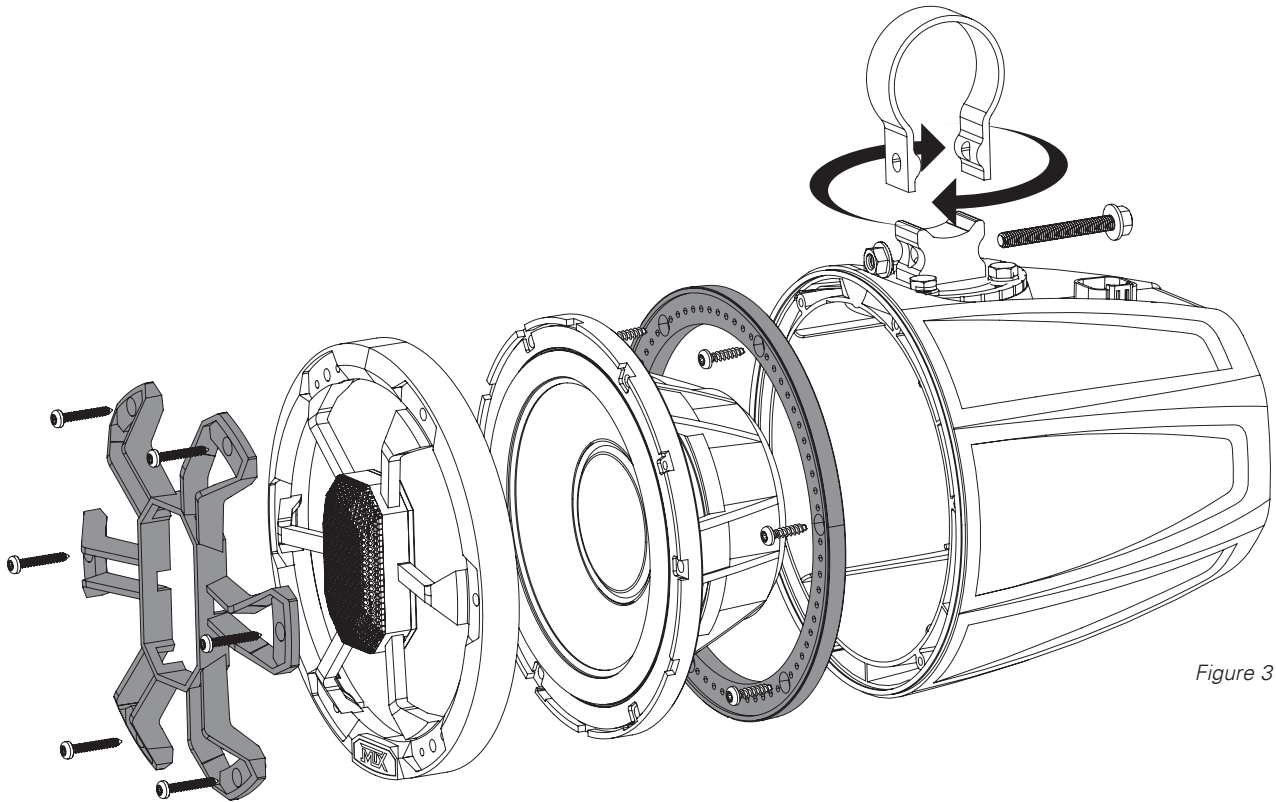


Figure 3

WIRING

1. Connect the pigtail harness to the can. **Note:** If installing as part of an MTX Audio UTV kit, the pigtail will not be used.
2. Connect the speaker wires to your amplifier ensuring correct polarity, Blue to positive (+) and Silver to negative (-).
3. The PS65C-BP includes speaker illumination. When hard-wiring the RGB lighting, the Black lead is +12V and the Red, Green, and Blue leads are ground. There are seven colors available, depending on the wiring configuration. MTX recommends using the **MUDLEDC** remote control (*sold separately*) for more colors, patterns and special effects.

Color Wiring Options	
Grounded Wire(s)	LED Color Output
Red	Red
Green	Green
Blue	Blue
Red / Green	Lime Green
Red / Blue	Magenta
Green / Blue	Aquamarine
Red / Green / Blue	Blue-White

Connect the colored wires on the left to make output colors on the right.

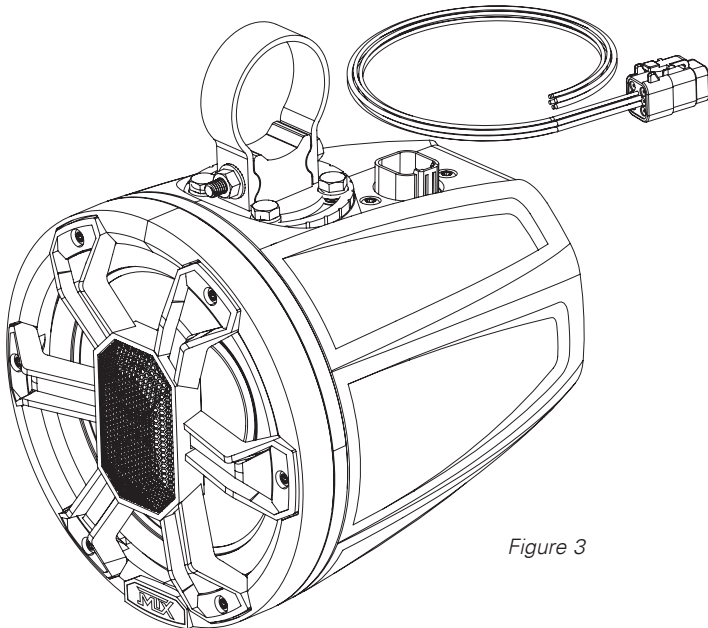


Figure 3

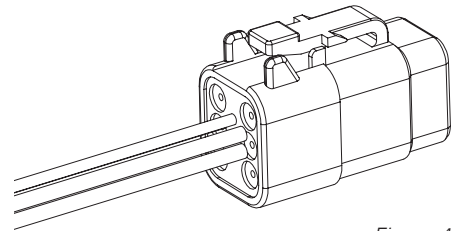


Figure 4

MTX RECOMMENDS

The MUDLEDC is a remote control and wiring control harness that is designed to work with a variety of RGB LED enabled MTX Audio products.

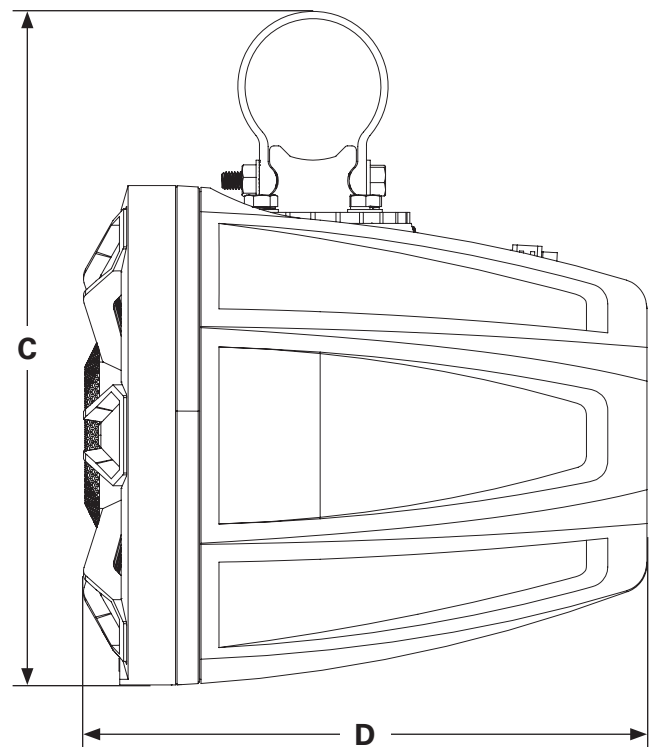
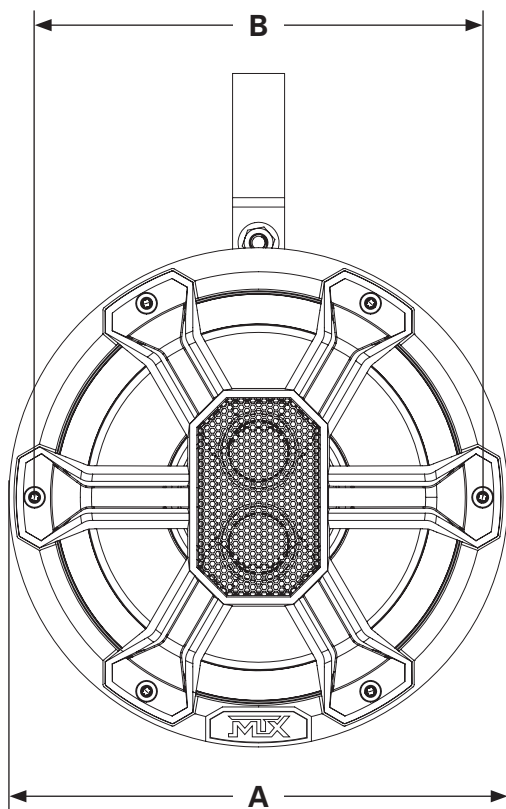


SPECIFICATIONS

<i>Model</i>	<i>Nominal Size</i>	<i>Speaker Type</i>	<i>Power Handling (RMS)</i>	<i>Power Handling (Peak)</i>	<i>Sensitivity (2.83V/1m)</i>	<i>Frequency Response</i>	<i>Impedance</i>
PS65C-BP	6 1/2" (165mm)	Coaxial	85-Watts	170-Watts	90dB	110Hz - 20kHz	4Ω

DIAGRAMS

<i>Model</i>	<i>Speaker Diameter (A)</i>	<i>Screw Mounting Diameter (B)</i>	<i>Overall Height (C)</i>	<i>Overall Depth (D)</i>
PS65C-BP	6 13/16" (173mm)	6 3/16" (156mm)	9 3/16" (233mm)	7 11/16" (195mm)



MITEK WARRANTY

MiTek Mobile products (including, but not limited to: MTX, Coustic, Streetwires, Xtant, BassSlammer, and Thunder Marine) purchased in the USA from an AUTHORIZED MITEK DEALER are guaranteed against defects in material and workmanship for two years. The warranty period begins the day the product is purchased by the end user, and this warranty is limited to the original retail purchaser of product. Products found to be defective during the warranty period will be repaired or replaced with equivalent product by MiTek at no charge. This warranty is void if it is determined that unauthorized parties have attempted repairs or alterations of any nature, and the warranty does not extend to cosmetics or finish. MiTek disclaims any liability for other incurred or consequential damages resulting from product defects. MiTek's total liability will not exceed the purchase price of the product.

We're here to help! If you experience an issue with any of our products , please contact our customer service technical line at 1-800-CALL-MTX to help troubleshoot your issue. If after speaking with our technical experts it is determined that your product is defective, the technician will provide you with a Return Authorization number and all relevant details you'll need to process your claim quickly.