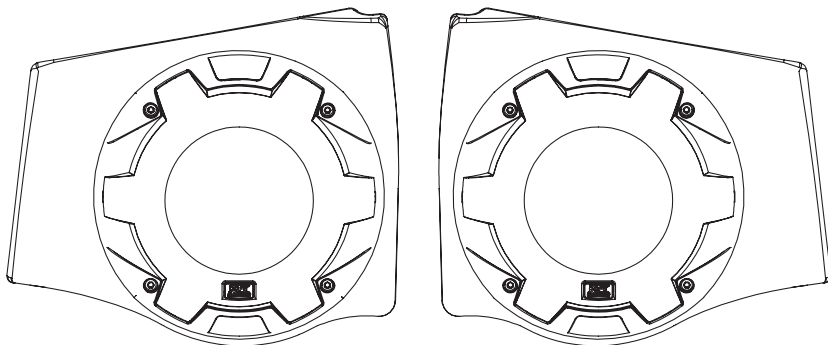




THUNDER
SPORTS™



RNRPOD65
POLARIS® RANGER® DASH SPEAKERS
OWNER'S MANUAL

IMPORTANT NOTICE

If you have any questions regarding wire routing in a vehicle, please contact MTX Technical Support at 1-800-225-5689. When connecting power and ground wires ensure that the red power wire is fused at the point where it is connected to the vehicle's battery. Failure to do so can result in damage to the vehicle if a short circuit develops between the vehicle connection point and the product.

PRODUCT INFORMATION

Model # _____

Serial # _____

Dealer's Name _____

Date of Purchase _____

IN THE BOX

- Dash Speakers (Left and Right Enclosures, Speakers, Grilles)
- (4) #10x3/4" Self-Tapping Stainless Steel Screws
- (8) #8x3/4" Phillips Pan Head Screws (Grille)
- (2) 0.156 Female Bullet Connectors (22-18AWG)
- (2) 0.156 Male Bullet Connectors (22-18AWG)

ADDITIONAL ACCESSORIES NEEDED AND NOT INCLUDED

- 14-16 AWG Speaker Wire for Connection to Amplifier

INSTALLATION TOOLS

The following is a list of suggested tools needed for installation:

- Torx - T20, T40
- 8mm Nut Driver or Socket
- Phillips Screwdriver

INTRODUCTION

Thank you for purchasing the MTX Audio 6" 2-way coaxial weatherproof dash speakers designed for the Polaris® RANGER®. These easy to install dash speakers are the perfect OEM fit solution for your Polaris® RANGER®. Congratulations and enjoy the ultimate audio experience with MTX!

FITS THE FOLLOWING VEHICLES

- RANGER® 570 Full-Size (2014 and up)
- RANGER XP® 900 (2014 and up)
- RANGER XP® 1000 EPS (2014-2017)
- RANGER® Diesel (2014 and up)
- RANGER CREW® 570-4 / 570-6 (2014 and up)
- RANGER CREW® XP 900 / XP1000 (2014 and up)
- RANGER CREW® Diesel (2014 and up)

Will not fit 2018 Northstar Fullsize, Northstar Crew, or High Lifter Edition.

FEATURES

- All Weather Construction with UV Inhibitor
- Custom Fit for RANGER® Dashboard
- No Cutting or Drilling Required

SPECIFICATIONS

- RMS Power Handling: 65-Watts
- Peak Power Handling: 130-Watts
- Sensitivity (2.83V/1m): 95dB
- Sensitivity (1W/1m): 90.7dB
- Frequency Response: 85Hz - 22kHz
- Impedance: 4Ω

INSTALLATION

Step 1 - Remove the two (2) T40 screws found in the top dash cover.



Step 2 - Remove the two (2) trim panel pin rivets found on either side of the dash cover.



Step 3 - Lift and pull back the top dash cover to release the clips holding it in place.



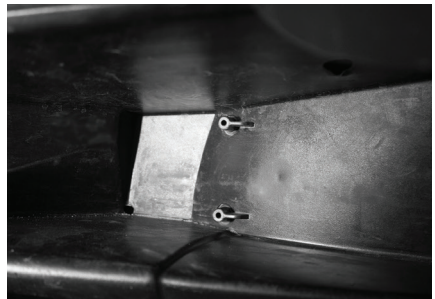
Step 4 - Prepare the speaker pod by removing the four (4) T20 screws holding the speaker in place.



Step 5 - Disconnect the speaker wire connections and set the speakers aside.



Step 6 - The speaker pods mount to the vehicle through the two (2) holes in the back of the enclosure through the back wall of the storage shelf using the provided hardware. Left and right pods are identified by ensuring the MTX logo on the back is right side up.



Step 7 - Start by feeding the speaker wire from the pod up into the dash area through the small holes located above the storage shelf on either side of the vehicle.



Step 8 - Reaching through the top of the dash, pull the wire up and through as you seat the pod in place in the dash.



Step 9 - Secure the pod in place through the back of the enclosure using the provided 8mm hex head screws and an 8mm nut driver or socket.



Step 10 - Reconnect the speaker to the speaker wires and mount the speaker to the pod using a T20 Torx driver and the screws removed in Step 4.

Note: These screws use the threaded brass inserts (M4) and not the pre-drilled holes.



Step 11 - Install the speaker grilles using the supplied Phillips head screws and a Phillips screwdriver or screw gun.



Step 12 - Once secure, make your speaker wire connections and reassemble the top dash panel securing it in place with the hardware removed in previously.



MUD NATION[®]
LET'S DO SOMETHING DIRTY[®]

© 2018 Mitek Corporation. All rights reserved. MTX, Mud Nation, and Let's Do Something Dirty are trademarks of Mitek Corporation. All other trademarks are property of their respective owners. Designed and Engineered in the U.S.A.

Due to continual product development, all specifications are subject to change without notice.

MTX Audio, 4545 East Baseline Rd. Phoenix, AZ 85042 U.S.A. 1-800-225-5689

MTX005689 RevC 7/18 • 21A10649 • AW0015610