



# AAI-GM12

## Class II Auxiliary Audio Input for GM Vehicles

The AAI-GM12 allows direct interface of any preamp level audio source to a GM factory radio, eliminating the need for sound degrading solutions like an FM modulator. The AAI-GM12 interface inputs sources from units such as a DVD, VCP, MP3, Satellite Radio or PlayStation.

**Requirements: 2003-2006 SUV's and trucks with a RDS or Navigation radio. The SUV or truck must have a factory XM receiver, factory DVD Rear Seat Entertainment (RSE) or factory/aftermarket CD changer (factory 6 disc changer built in the radio does not qualify).**

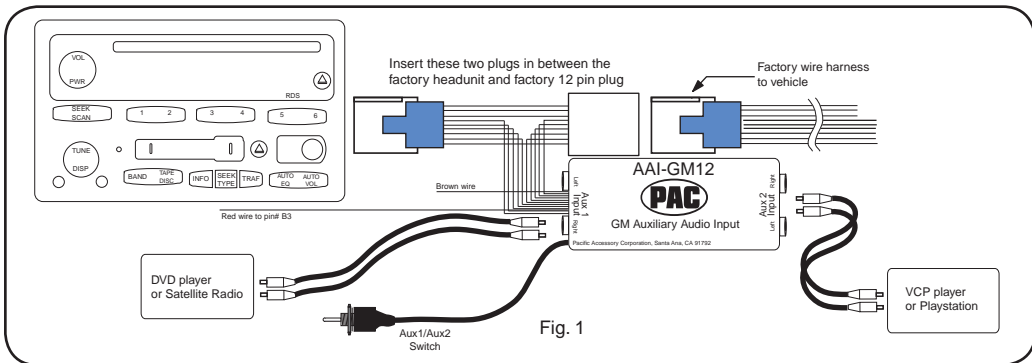
- Lower cost and higher quality sound than a FM modulator.
- Perfect for SUV's like Escalade, Tahoe, Suburban, Denali and Yukon.
- Comes with a three position switch which allows you to switch between two auxiliary inputs and the factory slave unit.
- High quality audio isolation IC eliminates engine noise.
- Internal CMOS electronic switching for long term reliability.
- Completely plug & play. Requires no external wiring.

### Installation

1. Remove factory 12 pin connector from headunit and insert the AAI-GM12 male plug in it's place. Plug factory 12 pin connector into the AAI-GM12 female connector as shown in Fig.1 below.
2. Connect the red wire from AAI-GM12 to pin# B3 of main 24 pin connector of factory radio. Pin# B3 supplies power to the AAI-GM12 when the key is in the ignition. The wire in B3 will either be a pink or dark green. **Some newer vehicles do not have a remote output. You will have to locate a switched +12volts at the fuse box. Fuse wire with an 1 amp fuse. When key is removed and door closed, the factory radio will still stay on, but the AAI-GM12 will turn off.**
3. Plug RCA cables from first audio source into Aux1 input of AAI-GM12. If there is a second audio source, plug RCA into Aux2 input.
4. Mount the toggle switch in a suitable location and insert the 1/8" plug into the AAI-GM12.

### Testing

1. Turn radio on and select either XM band or the CD changer source.
2. With the switch in the middle position you should hear XM or CD audio.
3. When you flip the switch left or right of the middle position, you should hear Aux1 or Aux2 audio.
4. **Portable Players:** Connect the brown wire to chassis ground only if the portable player or other audio source is not using the vehicle's battery as a power supply.



### Using external video source to automatically trigger the AAI-GM12 for Aux2

Most overhead video consoles have a +12 volt trigger output when the video system is turned on. Use a SPDT relay as shown and connect pin 30 of relay to the AAI-GM12 switch's red wire or the middle terminal of the 1/8" plug. Connect pin 87 to the AAI-GM12 switch's shield wire or the shield of 1/8" plug. Use Aux2 as the external audio source input and leave switch in the middle position. This automatic feature will only work on Aux2 input and not Aux1.

