



AAI-GM9

Auxiliary Audio Input for GM Vehicles

OnStar® Ready!

Description

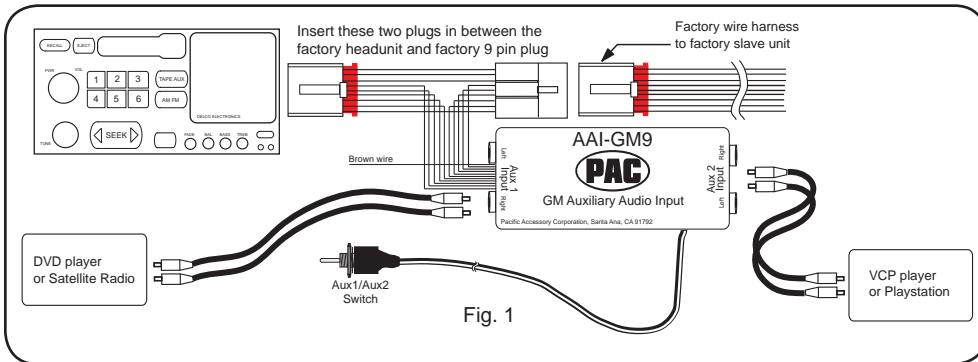
The AAI-GM9 allows direct interface of any preamp level audio source to a GM factory radio with a slave unit, eliminating the need for sound degrading solutions like an FM modulator. The AAI-GM9 interface inputs sources from units such as a DVD, VCP, MP3, Satellite Radio or PlayStation.

- Lower cost and higher quality sound than a FM modulator.
- Perfect for SUV's like Escalade, Tahoe, Suburban, Denali and Yukon.
- Comes with a three position switch which allows you to switch between two auxiliary inputs and the factory slave unit.
- High quality audio isolation IC eliminates engine noise.
- Internal CMOS electronic switching for long term reliability.
- Completely plug & play. Requires no external wiring.
- Seamless operation with OnStar® equipped vehicles.

Requirements: For 1995-2002 vehicles* the Sedan or SUV factory headunit must have a working slave unit which uses the GM 9 pin connector. Slave unit examples are: factory/aftermarket CD changer, separate factory cassette player or single CD player.

Installation

1. Remove factory 9 pin connector from radio and insert the AAI-GM9 male plug in it's place. Plug factory 9 pin connector into the AAI-GM9 female connector as shown in Fig.1 below.
2. Plug RCA cables from first audio source into Aux1 input of AAI-GM9. If there is a second audio source, plug RCA into Aux2 input.
3. Mount the toggle switch in a suitable location.



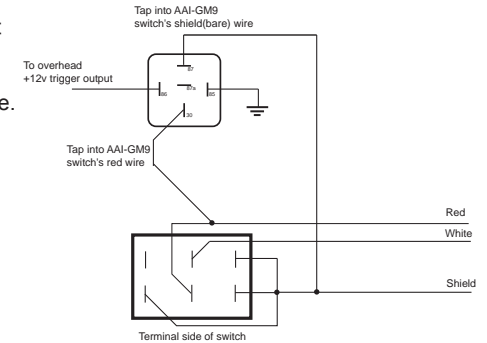
1999-2000 Cadillac Escalade, GMC Denali and 1999-2002 Pontiac Grand Prix, see bulletin.

Testing

1. Turn radio on and select Tape or CD changer source. **Note: a cassette or CD must be inserted into the slave unit and playing.**
2. With the switch in the middle position you should hear the Tape or CD audio.
3. When you flip the switch left or right of the middle position, you should hear Aux1 or Aux2 audio.
4. **Vehicles with OnStar®:** When activating OnStar® with the AAI-GM9 switch to either Aux1 or Aux2, the auxiliary audio will be automatically overridden so OnStar® audio can be heard. When turning off OnStar®, Aux1 or Aux2 audio will resume.
5. **Portable Players:** Connect the brown wire to chassis ground only if the portable player and other audio source is not using the vehicle's battery as a power supply.

Using external video source to automatically trigger the AAI-GM9 for Aux2

Most overhead video consoles have a +12 volt trigger output when the video system is turned on. Use a SPDT relay as shown and connect pin 30 of relay to the AAI-GM9 switch's red wire. Connect pin 87 to the AAI-GM9 switch's shield wire. Use Aux2 as the external audio source input and leave switch in the middle position. This automatic feature will only work on Aux2 input and not Aux1.



Bulletin

1999-2000 Escalade, Denali and 1999-2002 Pontiac Grand Prix

To retain the automatic switching when OnStar® is activated, relocating the Lt. green wire from the AAI-GM9 to the factory 21 pin radio connector will be necessary.

1. Cut the Lt. green wire coming from the AAI-GM9 at white plug leaving the wire in between the two connectors intact. Tap the wire into pin #15 dark green wire of the factory 21 pin connector shown to the right.

