



OS-1 BOSE



General Motors OnStar® Bose® Interface Installation Instructions.

The OS-1 BOSE is a plug and play interface kit that allows replacement of a General Motors factory stereo (without RDS option) and maintain operation of the OnStar® system and the Bose® amplifier and speakers. The kit includes the OS-1 OnStar® interface and the OEM-1 premium sound system interface and cable . The OS-1 has on board switching, and amplification to allow audio from the OnStar® system to play through the two front factory speakers when OnStar® is active, and mute the new replacement radio. The OS-1 can also be used when a stereo and amplifier combination system is installed. Separate speakers can be added if desired.

There are separate gain adjustments for left and right OnStar® audio and an LED indicator that turns on when the OS-1 receives an "ON" command from the OnStar® system.

Supported Vehicles

Cadillac 1999 - 2000 Escalade*, 2002 Escalade. **Chevrolet** 1998 - 2002 Suburban and Tahoe. **GMC** 1998 - 2002 Suburban, Yukon and Denali. **Pontiac***: **Please note 1998-2003 Grand Prix w/Bose® - this interface is not designed for this vehicle, however, you can order the AMP-GM21B (1998-1999 Grand Prix) or AMP-GM21C (2000-2003 Grand Prix) harness to replace the AMP-GM21A harness to make this interface work correctly.**

The OS-1 will interface with all GM radios that use the 21 pin / 9 pin connectors. If there is a "RDS logo on the radio face or the radio uses the 24 pin / 12 pin connectors, this interface will not work.

* See bulletin on page 2

Installation

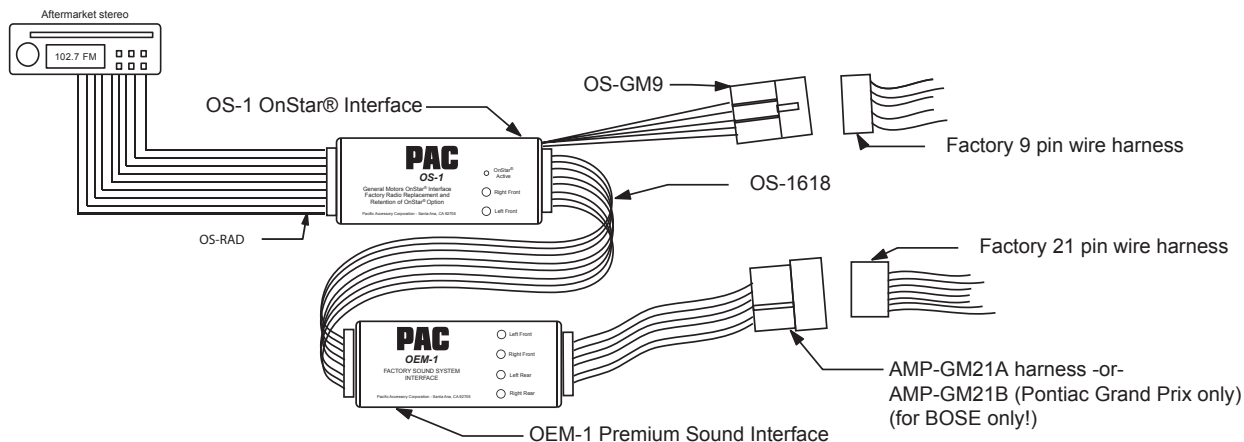
Connecting the aftermarket stereo and OS-1 to the vehicle's factory Bose system.

Step 1.

Pre wire the OS-RAD wire harness to the aftermarket stereo wire harness. If the aftermarket stereo has a mute wire, cut the brown wire as close as possible to the relay socket and connect it to the stereo's mute wire (Fig. 1).

Step 2.

Use the supplied OS-1618 wire harness and connect to the 16 pin connector side to the OS-1. Connect the AMP-GM21A wire harness and OEM-1 interface to the OS-1 according to diagram below. Connect the AMP-GM21A and OS-GM9 connectors to the factory harness.



NOTES:

WARNING! (Vehicles equipped with a 9 pin Y connector) Do not unplug the separate 9 pin female and male connectors that are located farther back in the dash. Doing so will disconnect OnStar® from the OS-GM9 connector.

- Remember to reset OnStar® by turning the ignition off for at least two minutes prior to testing.
- The AMP-GM21A wire harness will ONLY work on a vehicle with a BOSE premium sound system.

Important! Reset OnStar® by turning the ignition off for at least two minutes prior to testing.

Step #1: Adjusting the OEM-1 level controls.

After all connections are made and plugged in, turn on the aftermarket stereo. Adjust the volume on the radio and the OEM-1 level controls to a suitable undistorted listening level. The OEM-1 can be adjusted with a small flat head screwdriver.

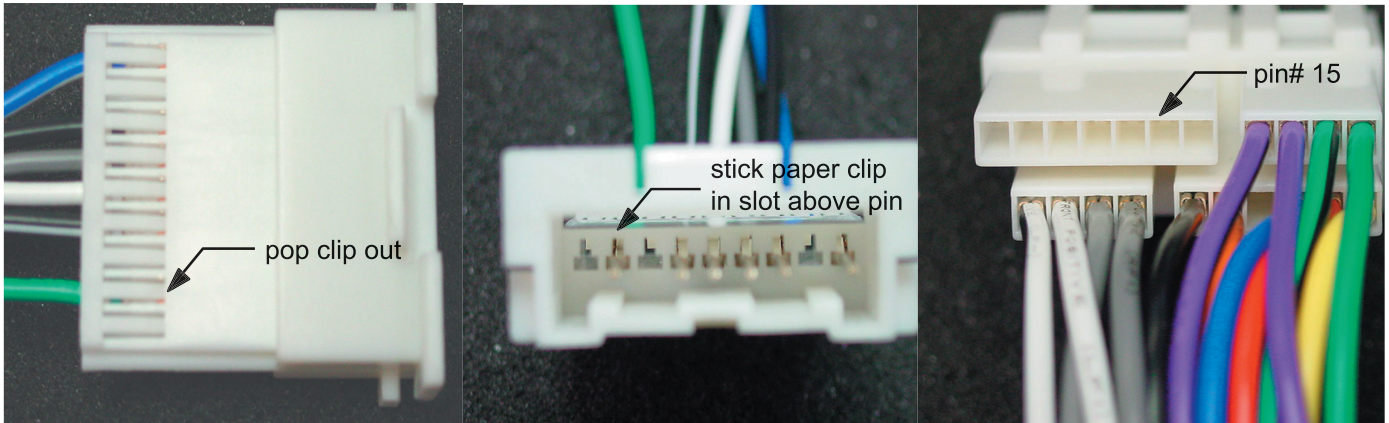
Step #2: Adjusting OS-1 Volume and Testing Operation with OnStar®.

After all connections are made, push the Blue OnStar® button on the vehicle to initiate a call to the service center. The OS-1 LED will turn on and the stereo should either mute or turn off and a greeting message should be heard. Adjust the OS-1 volume to a suitable loudness level. Adjust the audio outputs of the OS-1 with a small flat head screwdriver. Counter clockwise is at minimum and clockwise is maximum output. If the volume sounds distorted, lower the outputs of the OS-1. Pressing the black OnStar® button on the vehicle will end the call and the OS-1 LED will turn off. After a few seconds the stereo should resume playing or will turn back on.

Bulletin*

1998-2003 Pontiac Grand Prix, 1998-2000 GMC Yukon Denali, 1999-2000 Cadillac Escalade (not for 2002 Escalade)

Relocate the green wire in the OS-GM9 connector prior to installation of the OS-1. The green wire will need to go into pin#15 of the AMP-GM21A, AMP-GM21B or AMP-GM21C connector as shown in diagrams below.



Pop white locking clip out on the OS-GM9 connector in the location of the green wire by using a small flat head screw driver.

Insert paper clip into the slot above pin of the OS-GM9 connector and push metal clip down while gently pulling on green wire. If done correctly, wire will pull out easily.

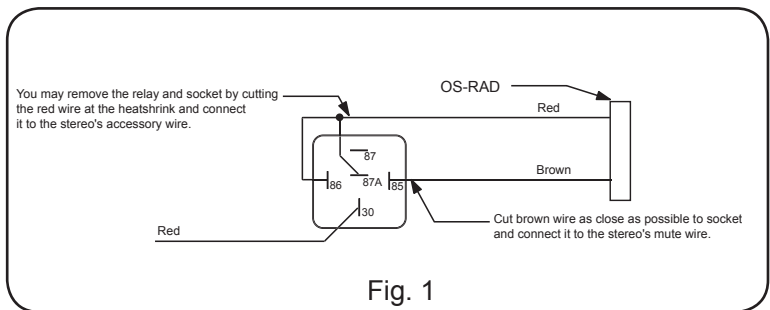
Insert green wire into pin#15 of the OS-GM21 (Grand Prix non/BOSE) or OS-GM21A (Escalade/Yukon Denali) connector. 1999-2000 Pontiac Grand Prix w/BOSE requires a AMP-GM21B and 2001-2003 Grand Prix requires the AMP-GM21C wire harness, not a AMP-GM21A harness.

18 pin OS-RAD Input harness

WIRE COLOR	CIRCUIT	PIN NUMBER	CIRCUIT	WIRE COLOR
WHITE/BLACK	LEFT FRONT (-)	9	MUTE	BROWN
GRAY/BLACK	RIGHT FRONT (-)	8	LEFT FRONT (+)	WHITE
GREEN/BLACK	LEFT REAR (-)	7		
PURPLE/BLACK	RIGHT REAR (-)	6	RIGHT FRONT (+)	GRAY
BLACK	GROUND	5		
BLUE	POWER ANTENNA	4	LEFT REAR (+)	GREEN
ORANGE	ILLUMINATION	3		
BLUE/WHITE	AMP TRIGGER	2	RIGHT REAR (+)	PURPLE
RED	12V SWITCHED/ACC	1	12V CONSTANT	YELLOW

16 pin AMP-GM21A output harness

WIRE COLOR	CIRCUIT	PIN NUMBER	CIRCUIT	WIRE COLOR
ORANGE	ILLUMINATION	8	12V SWITCHED/ACC	RED
BLUE/WHT	AMP TRIGGER	7	12 CONSTANT	YELLOW
BLACK	GROUND	6	POWER ANTENNA	BLUE
PURPLE/BLK	RIGHT REAR (-)	5	RIGHT REAR (+)	PURPLE
GREEN/BLK	LEFT REAR (-)	4	LEFT REAR (+)	GREEN
	N/C	3	N/C	
GRAY/BLK	RIGHT FRONT (-)	2	RIGHT FRONT (+)	GRAY
WHITE/BLACK	LEFT FRONT (-)	1	LEFT FRONT (+)	WHITE



Looking from wire side of plugs
OnStar® is a registered trademark of OnStar® Corporation