

SWITCHES APPLIANCE & SPECIALTY

PUSH BUTTON CANOPY SWITCH (Two Circuit)



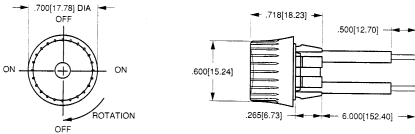
Mounting Hole: 0.406"

SPECIFICATIONS:

Current Rating:	6A @ 125V AC, 3A @ 250V AC		
Initial Contact Resistance:	DC 2.5V-1A, 20 Meg ohm (Min.)		
Insulation Resistance:	500V DC 100 Meg ohm (Min.)		
Dielectric Strength:	1500V AC for 1 minute		
Contact Material:	Brass - Bright Nickel Plate		
Terminal Material:	6" 18 AWG 105 C° Wire		
Terminal Type:	Stripped Wire Leads		
Part No.	Type	Action	Actuator
30-1887	Two Circuit	3-Way (L-1, L-2, L-1&2, OFF)	Black Nylon



FRONT MOUNTED ROTARY SWITCHES



Mounting Hole: 0.500"

SPECIFICATIONS:

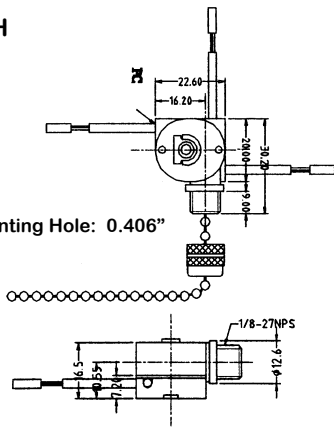
Current Rating:	3A @ 125V AC, 1.5A @ 250V AC		
Initial Contact Resistance:	DC 2.5V-1A, 20 Meg ohm (Min.)		
Insulation Resistance:	500V DC 100 Meg ohm (Min.)		
Dielectric Strength:	1500V AC for 1 minute		
Contact Material:	Brass - Bright Nickel Plate		
Terminal Material:	6" 18 AWG 105 C° Wire		
Terminal Type:	Stripped Wire Leads		
Part No.	Type	Action	Actuator
30-9162	SPST	ON - OFF	Black Plastic Knob
30-19163	SPST	ON - OFF	White Plastic Knob



PULL CHAIN SWITCH (Two Circuit)



Mounting Hole: 0.406"

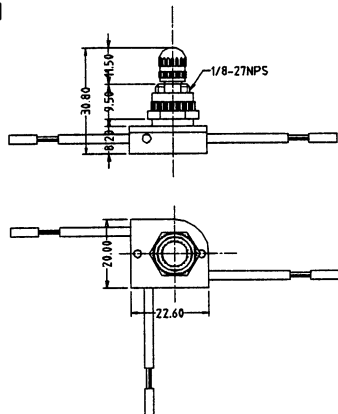


SPECIFICATIONS:

Current Rating:	6A @ 125V AC, 3A @ 250V AC		
Initial Contact Resistance:	DC 2.5V-1A, 20 Meg ohm (Min.)		
Insulation Resistance:	500V DC 100 Meg ohm (Min.)		
Dielectric Strength:	1500V AC for 1 minute		
Contact Material:	Brass - Bright Nickel Plate		
Terminal Material:	6" 18 AWG 105 C° Wire		
Terminal Type:	Stripped Wire Leads		
Part No.	Type	Action	Actuator
30-9158	Two Circuit	3-Way (L-1, L-2, L-1&2, OFF)	Pull Chain



ROTARY CANOPY SWITCH (Two Circuit)



Mounting Hole: 0.400"

SPECIFICATIONS:

Current Rating:	6A @ 125V AC, 3A @ 250V AC		
Initial Contact Resistance:	DC 2.5V-1A, 20 Meg ohm (Min.)		
Insulation Resistance:	500V DC 100 Meg ohm (Min.)		
Dielectric Strength:	1500V AC for 1 minute		
Contact Material:	Brass - Bright Nickel Plate		
Terminal Material:	6" 18 AWG 105 C° Wire		
Terminal Type:	Stripped Wire Leads		
Part No.	Type	Action	Actuator
30-9160	Two Circuit	3-Way (L-1, L-2, L-1&2, OFF)	Knurled Metal

