

**Now charges  
at 5 Volts!**



### GMLAN-POD/S

The GMLAN-POD/S allows you to operate your iPod (Mini, Nano, G3, G4, G5) using the OEM satellite radio controls of your GM group LAN-Bus radio. The GMLAN-POD/S provides iPod charging and full control from the radio, allows you to maintain your factory Satellite radio system, and features an additional adjustable auxiliary audio input.

Control of the iPod through the OEM radio includes, but is not limited to:

- Individual search by artist, album, playlist, song, composer etc...
- Ability to display the following TEXT fields:
- Artist name
- Song name
- Album title
- Playlist name
- The option of using the OEM radio or iPod to control your iPod.
- Direct audio connection for optimal sound quality.
- Charging of the iPod.

### iPod COMPATIBILITY:

mini	classic (G1, G2, G3)
G3	nano (G1, G2, G3, G4, G5)
G4	touch (G1, G2, G3)
video	iPhone (2G, 3G, 3GS, 4)
color	

Note: iPod control functions may not remain the same after updating the iPod with firmware not specified in this manual.

### VEHICLE APPLICATIONS:

For use with the following GM LAN-Bus vehicles when equipped with satellite ready radios (navigation and non-navigation). Non-navigation satellite capable radios will have a "CAT" button:

<u>BUICK</u>	
ENCLAVE	2007-2008
LUCERNE	2006-2007

<u>CADILLAC</u>	
DTS	2007-2008
ESCALADE	2007-2010
SRX	2007-2008

<u>CHEVROLET</u>	
AVALANCHE	2007-2008
IMPALA/SS	2006-2008
MONTE CARLO	2006-2007
SILVERADO (New body)	2007-2008
SUBURBAN	2007-2008
TAHOE	2007-2008

<u>GMC</u>	
SIERRA (New body)	2007-2010
YUKON/XL/DENALI	2007-2010

<u>PONTIAC</u>	
TORRENT	2007

### INTRODUCTION

This operations manual has been prepared to provide a thorough description on how to interface and operate the iPod with your OEM car stereo. All vehicles require different PIE interfaces and installation techniques. The information given is for guidance and each installer should make necessary decisions that are not covered by this guide.

Precision Interface Electronics strongly recommends professional installation of all aftermarket equipment. The terms of warranty demand that professional assistance of an experienced installer be present, as the installation requires special tools and knowledge.

**Please read the installation guide thoroughly, making special note to the warning section, before beginning installation.**

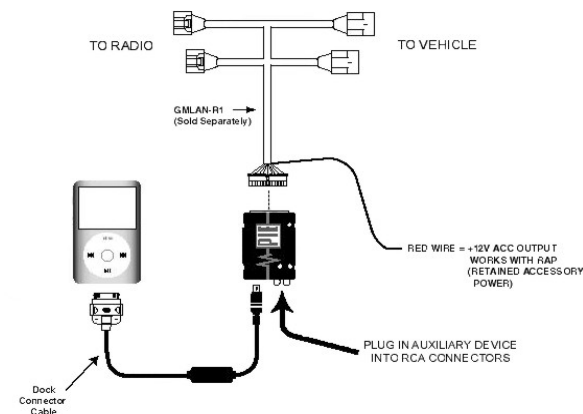
### WARNINGS

1. Ensure that the vehicle's battery terminal (-) is disconnected before installation. Disconnecting the battery terminal before installing this interface ensures proper synchronization and helps avoid possible synchronization errors.

2. Ensure that normal control and operation of the vehicle is not impaired by the installation, mounting all pieces securely and preventing interference to necessary vehicle operation.
3. This interface is suitable for use only in vehicles with a 12-volt negative grounding. Use on other supply voltages or alternative polarity will damage the equipment.

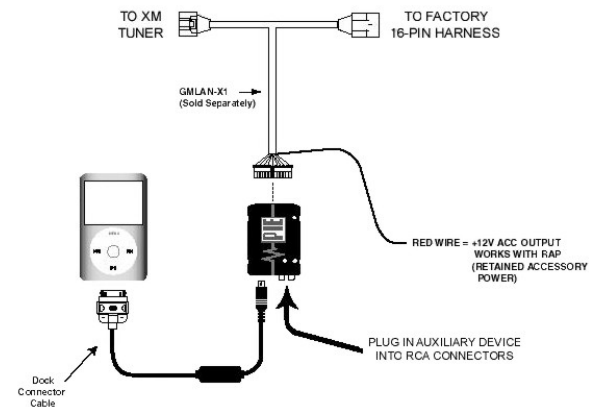
### INSTALLATION (For vehicles without XM):

Connect the GMLAN-POD/S and GMLAN-R1 harness (sold separately) as shown in the following diagram:



### INSTALLATION (For vehicles with XM):

Connect the GMLAN-POD/S and GMLAN-X1 harness (sold separately) as shown in the following diagram:



## Initialization of iPod to interface

**Note: For best synchronization between iPod and radio, radio and iPod should both be ON. SHUFFLE and REPEAT functions on iPod should also be turned OFF.**

1. Connect the routed 17-foot dock cable to the iPod. A symbol showing your battery is being charged will show next to the battery indicator.
2. Wait a few seconds while the iPod interface searches for all the playlists. Searching time may vary depending on the number of playlists.

## Listening to your iPod (Non-Navigation Radios)

Once the GMLAN-POD/S has initialized, you must access the XM satellite radio band to begin listening to your music.

**Without XM installed**, the radio will display "P.I.E. iPod" upon entering XM1 mode and will begin playing the last song that was playing on your iPod before it was disconnected.

**With XM installed**, the radio will enter XM mode as it normally does until you switch to iPod by pressing and holding the <SEEK button until you hear a beep.

To return to XM from iPod, rotate the tune knob until you see "Select XM Radio", then press SEEK>.

## To switch to iPod Advanced Mode

With the iPod now playing, the iPod screen and controls are still functional. This is the MANUAL mode of the iPod. The ADVANCED mode of the iPod allows you to see your iPod information on the radio display only and will lock out the iPod display and controls.

To enter ADVANCED mode, rotate the tune knob until "iPod Manual" is displayed, then press SEEK>.

## Radio Controls for your iPod in 'ADVANCED' mode

Now that your iPod is connected and you are listening to your music, you can begin navigating through your music library using the following menu items:

**<SEEK – To return to previous track**  
**SEEK> - To advance to next track**  
**CAT – To view iPod menu items**

Press CAT button once to display:

**RWnd-FFwd PLAYLISTS ARTISTS**

Press CAT button again to display:

## **ALBUMS GENRES SONGS**

Press either of the two buttons below the menu option you want to browse and the selected option will be highlighted. At this point use the tuning knob to scroll through selections. When you want to make a selection, press either of the two buttons under the menu item again or the SEEK> button.

Rwnd and FFwd buttons are slightly different in that once highlighted, a press of either button will activate the rewind or fast forward function and a second press of the same button will turn it off.

## Example of finding a song by a particular artist:

Press the 'CAT' button – the screen will display:

## Rwnd-FFwd PLAYLISTS ARTISTS

Press either one of the buttons below ARTISTS. The option ARTISTS will become highlighted. Use the tuning knob to scroll through ARTISTS until the desired selection appears on the screen. Press either one of the buttons below ARTIST again. The first song by that artist will begin to play. The screen will now display the second set of menu items:

## ALBUMS GENRES SONGS

The SONGS option will automatically be highlighted. At this point, if you want to select a different song than the one currently playing, use the tuning knob to find the desired selection appears, then press either of the buttons below SONGS to select.

## To select AUX input

While in iPod mode, rotate the tuning knob until "Select Aux In" appears on the screen, then press SEEK>.

*Note: When in Auxiliary Mode if the gain level is much higher or lower than the AM/FM/XM you can switch between High and Low Gain by:*

*Use the tuning knob until Select Gain appears on the screen. Press <SEEK to switch between Gain High and Gain Normal.*

## Listening to your iPod (Navigation Radios)

Access the XM satellite radio band ("XM" touchscreen button) to begin listening to your music.

**Without XM installed**, the radio will display "P.I.E. iPod" upon entering XM mode and will begin playing the last song that was playing on your iPod before it was connected.

**With XM installed**, the radio will enter XM mode as it normally does until you switch to iPod by pressing and holding the <SEEK button until you hear a beep.

To return to XM from iPod, rotate the tune knob until you see "Select XM Radio", then press SEEK>.

## Radio Controls for your iPod in 'ADVANCED' mode

### **Radio hard keys:**

SEEK> – Select previous track  
<SEEK – Select next track

### **On the MAIN MENU screen:**

"MAIN MENU" icon – Press to enter "XM Categories" screen for browsing and source selection

"▶" (to right of MAIN MENU icon) – Press once to begin fast forward through current song; press again to resume play.

"◀" (to left of MAIN MENU icon) – Press once to begin rewinding through current song; press again to resume play.

### **On the XM CATEGORIES screen:**

"Playlists" icon – Press to display first 31 playlists

"Artists" icon – Press to display first 31 artists

"Albums" icon – Press to display first 31 albums

"Genre" icon- Press to display first 31 genres

"P.I.E. iPod" icon – Press to display the following:

- Select iPod
- iPod Manual
- iPod Advanced
- Goto XM Radio
- Select Auxin
- Aux Gain Hi/Lo

Once the desired selection is displayed, press the appropriate radio soft key to select it.

To return to the MAIN MENU screen from the XM CATEGORIES screen, press the BACK soft key.

## OPERATIONAL NOTES:

**iPod Charging:** If left connected, the iPod will continue to charge for 30 minutes after the ignition is turned off.