

**Now charges  
at 5 Volts!**



### TOY03-POD/S

The TOY03-POD/S allows you to operate your iPod (Mini, Nano, G3, G4, G5) using the OEM satellite radio controls of your Toyota or Scion radio. The TOY03-POD/S provides iPod charging and full control from the radio, allows you to maintain your factory Satellite radio system, and features an additional adjustable auxiliary audio input.

Control of the iPod through the OEM radio includes, but is not limited to:

- Individual search by artist, album, playlist, song, composer etc...
- Ability to display the following TEXT fields:
- **Artist name**
- **Song name**
- **Album title**
- **Playlist name**
- The option of using the OEM radio or iPod to control your iPod.
- Direct audio connection for optimal sound quality.
- Charging of the iPod.

### iPod COMPATIBILITY:

mini	classic (G1, G2, G3)
G3	nano (G1, G2, G3, G4, G5)
G4	touch (G1, G2, G3)
video	iPhone (2G, 3G, 3GS, 4)
color	

Note: iPod control functions may not remain the same after updating the iPod with firmware not specified in this manual.

### VEHICLE APPLICATIONS:

For use with the following vehicles when equipped with satellite ready radios (with "SAT" button):

#### LEXUS

ES330	2005-2006	IS 250	2006-2008
ES350	2007-2008	IS 350	2006-2008
GS300	2006	IS-F	2007-2008
GS350	2007	LS430	2004-2006
GS430	2006-2007	LX470	2005-2007
GS450h	2007-2008	RX350	2007-2008
GS460	2008	RX400h	2006-2008
GX470	2007-2008		

#### SCION

Xa	2003-2007	Xd	2008
Xb	2003-2008	Tc	2004-2008

#### TOYOTA

4Runner	2006-2008	Land Cruiser	2005-2007
Avalon	2005-2008	Matrix,XRS,XR	2007-2008
Camry	2005-2008	Prius	2006-2008
Camry Hybrid	2007-2008	RAV4	2006-2008
Corolla, S, LE	2007-2008	Sequoia	2006-2007
FJ Cruiser	2007-2008	Sienna	2006-2008
Highlander	2006-2007	Tacoma	2007-2008
HighlanderHybrid	2007-2008	Tundra	2007-2008

### INTRODUCTION

This operations manual has been prepared to provide a thorough description on how to interface and operate the iPod with your OEM car stereo. All vehicles require different PIE interfaces and installation techniques. The information given is for guidance and each installer should make necessary decisions that are not covered by this guide.

Precision Interface Electronics strongly recommends professional installation of all aftermarket equipment. The terms of warranty demand that professional assistance of an experienced installer be present, as the installation requires special tools and knowledge.

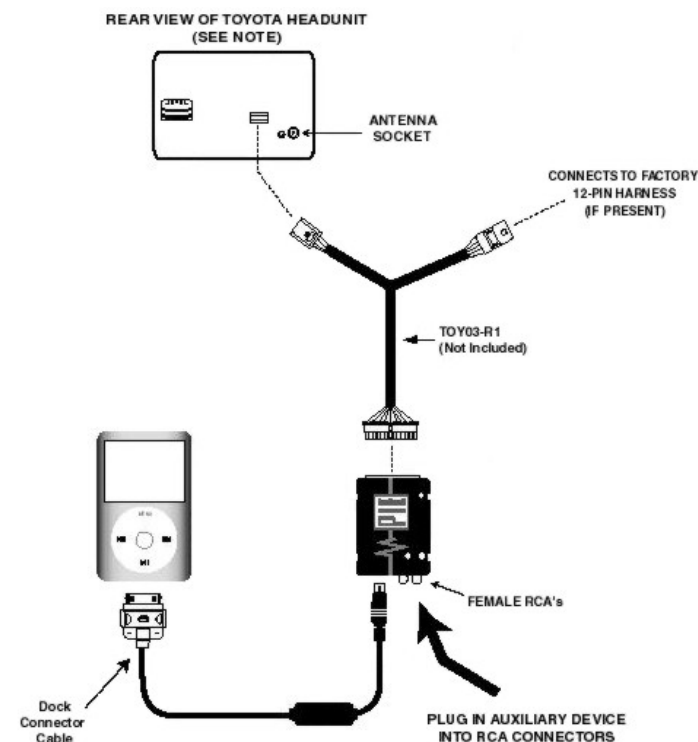
**Please read the installation guide thoroughly, making special note to the warning section, before beginning installation.**

### WARNINGS

1. Ensure that the vehicle's battery terminal (-) is disconnected before installation. Disconnecting the battery terminal before installing this interface ensures proper synchronization and helps avoid possible synchronization errors.
2. Ensure that normal control and operation of the vehicle is not impaired by the installation, mounting all pieces securely and preventing interference to necessary vehicle operation.
3. This interface is suitable for use only in vehicles with a 12-volt negative grounding. Use on other supply voltages or alternative polarity will damage the equipment.

### INSTALLATION

**Connect the TOY03-POD/S and TOY03-R1 harness (sold separately) as shown in the following diagram:**



## INSTALLATION OF IPOD TO INTERFACE

**Note: For best synchronization between iPod and radio, radio and iPod should both be ON. SHUFFLE and REPEAT functions on iPod should also be turned OFF.**

1. Connect the dock cable to the iPod. A symbol showing your battery is being charged will show next to the battery indicator.
2. Press **AM-SAT** button to enter satellite radio (iPod) mode.
3. Wait a few seconds while the iPod interface searches for all the playlist(s). Searching time may vary depending on the number of playlist(s).
4. After connecting the iPod to the interface, the iPod will show an **"OK to disconnect"** message. This message means the iPod is in external control mode and proper synchronization is complete.

**NOTE : If this "OK to disconnect" does not appear within 5-10 seconds, please disconnect the iPod and recheck your connections.**

## IPOD PLAYBACK FUNCTIONS

The control functions for the iPod using the OEM radio's satellite radio controls are similar to those used on the iPod itself. Due to certain radio limitations, there are some differences in how the iPod information is accessed and / or displayed through the OEM radio.

The following describes how to control the iPod from the OEM radio, and any similarity to the iPod's controls or buttons has been noted.

## LISTENING TO YOUR IPOD

Once the iPod is connected to the dock cable and is properly synchronized to the radio, you are ready to begin listening to your iPod.

- **If your iPod was already in play or pause mode, it will begin playing where it last left off.**
- **If your iPod was not in play or pause mode when connected, it will not begin to play until you press preset 3 (to enter 'REMOTE MODE').**

Pressing the **AM-SAT** button a second time will enter the SAT2 band of the radio, which has the same iPod control functions as SAT1. The SAT3 band of the radio (when in

iPod mode) is used to select the auxiliary input channel of the TOY03-POD/S.

## IPOD CONTROL

Now that your iPod is connected and you are listening to your music, you can begin navigating through your music library in much the same way you would from the iPod itself. The radio buttons / iPod controls and their similarity to the buttons / controls on the iPod itself are as follows:

### FOR NAVIGATION RADIOS:

**SEEK DOWN** - Similar to iPod **PREVIOUS TRACK** button

**SEEK UP** - Similar to iPod **NEXT TRACK** button

**TEXT** - Toggles between the two different radio display modes

**TYPE SCAN** – Similar to iPod **SELECT (center)** button when in iPod browse mode

**TUNE KNOB (If present)** – Rotate through the iPod browse categories, software version number, and "PIE"; while in a browse category, used to rotate through artists, albums, songs, etc.

**PRESET 1** – Select Previous Song

**PRESET 2** - Select Next Song

**PRESET 3** – Toggle between **MANUAL** and **ADVANCED** modes of iPod control

**PRESET 4** – Used to enter iPod **BROWSE** mode

**PRESET 5** – Press once to **FF** through current song; press again to stop

**PRESET 6** – Used to switch between iPod and factory satellite radio

### FOR NON-NAVIGATION RADIOS:

**CHANNEL DOWN** - Similar to iPod **PREVIOUS TRACK** button

**CHANNEL UP** - Similar to iPod **NEXT TRACK** button

**TEXT** - Toggles between artist name, album name, and song title; button location varies by headunit

**SCAN** – Similar to iPod **SELECT (center)** button when in iPod browse mode

**TUNE KNOB (If present)** – Rotate through the iPod browse categories, software version number, and "PIE"; while in a browse category, used to rotate through artists, albums, songs, etc.

**FOLDER / TYPE (If present)** – Same as **TUNE KNOB**

**PRESET 1** – Select Previous Song

**PRESET 2** - Select Next Song

**PRESET 3** – Toggle between **MANUAL** and **ADVANCED** modes of iPod control

**PRESET 4** – Press once to **REW** through current song; press again to stop

**PRESET 5** – Press once to **FF** through current song; press again to stop

**PRESET 6** – Used to switch between iPod and factory satellite radio

**NOTE: In factory satellite mode (both NAV and non-NAV), preset #6 is reserved to toggle between satellite and iPod mode and will no longer be available as a satellite radio preset.**

## MANUAL / ADVANCED MODE

There are two modes of iPod control available using the TOY03-POD/S; **MANUAL** and **ADVANCED**. In **ADVANCED** mode, the iPod screen and controls are disabled and all control is done through the radio. Depending on the number of songs on your iPod, it is sometimes more convenient to navigate your iPod music collection using the controls / screen on the iPod itself. By selecting **MANUAL** mode (preset 3) you can do this. In manual mode, the iPod screen and controls are restored and you can control your iPod as you normally would while still being able to hear your music through the audio system. In addition, while in **MANUAL** mode, track up / down, and **FF** / **REW** controls are still available from the radio.

## AUXILIARY INPUT

When in iPod mode, the SAT3 band of the radio is used to access the auxiliary input channel of the TOY03-POD/S. This auxiliary input can be used for an additional audio device such as an aftermarket satellite radio unit, a DVD player, or even another iPod. Independent left and right gain adjustments are provided to allow the installer to match this auxiliary audio level to that of the radio's AM, FM, or CD modes.

## OPERATIONAL NOTES:

**Switching between SAT / iPod:** On some radios, it is necessary to advance to the next SAT band (SAT 1 to SAT2, for example) to begin play after switching from SAT to iPod or vice-versa.

**Connecting iPod:** If after you connect it, the iPod comes up in **PAUSE** mode, disconnect the iPod, wait 5 seconds, then reconnect it.

**Turning off FF / REW:** On some radios, the **SCAN** button needs to be used to turn off **FF** / **REW**.

**iPod Charging:** If left connected, the iPod will continue to charge for 30 minutes after the ignition is turned off.