

Pioneer

TS-DI0LS4 / TS-DI0LS2 10" Single 4Ω or Single 2Ω Voice Coil Subwoofer

D-series sound design

- Bass quality and bass quantity
- High power handling and installation flexibility
- The ultimate all-around performer

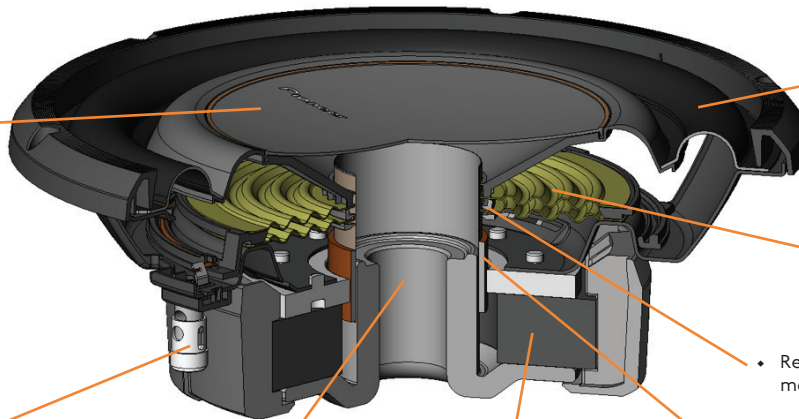
D



- 10" Aramid Fiber Interlaced Injection Molded Polypropylene (IMPP) cone construction
- Butyl rubber surround for strength and linearity during high excursion
- Shallow basket, small enclosure design for sound optimization and installation flexibility
- Smooth and seamless integration with Pioneer D-series full-range automotive loudspeakers

FEATURES AND TECHNOLOGY

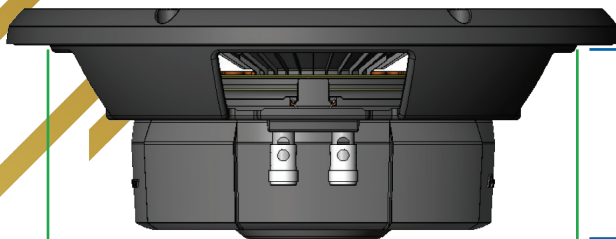
- Aramid fiber interlaced IMPP cone with uniquely optimized shape provides superior rigidity for deep, powerful and undistorted bass



- Butyl rubber surround
- Conex dual spider
- Reinforced spider mounting collar
- 4-layer, copper voice coil
- Powerful motor structure optimized using advanced CAE (Computer Aided Engineering)
- Extended voice coil, dual spider design for increased linearity and high excursion
- 8 AWG push-type input terminals

TOO MUCH ISN'T ENOUGH, EMBRACE THE BASS

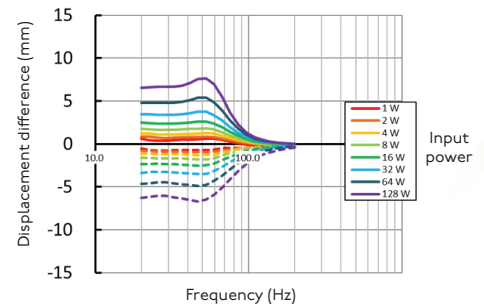
Optimized depth and cutout size for outstanding performance combined with ultimate installation flexibility



Industry leading 84 mm / 3.3" shallow mounting depth

230 mm / 9.0" cutout diameter for easy installation into 3rd party enclosures

Linear, balanced motion in both the forward and reverse directions of cone movement is critical to accurate reproduction of recorded sound waves. Careful engineering of the entire motor structure and suspension system (voice coil, magnet, surround and spider) is required maintain a high level of linearity, even during high output / high excursion transients.

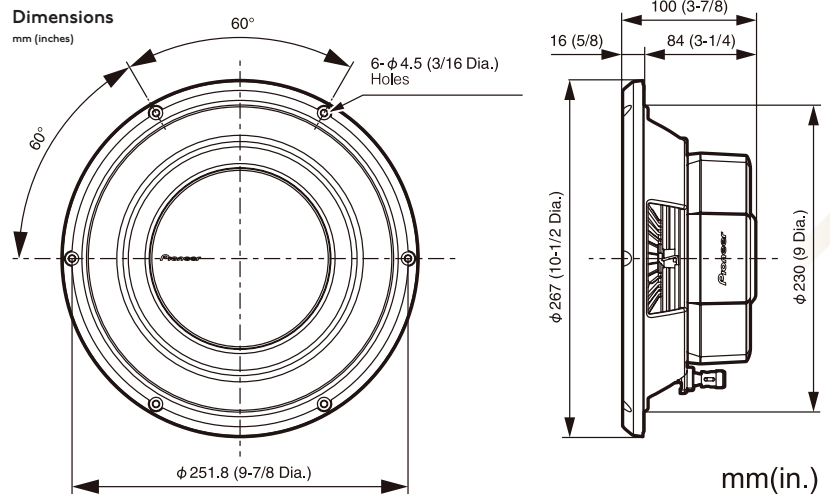


CarSoundFit

For a virtual listening demonstration of these and many other Pioneer car speakers, download the free Pioneer CarSoundFit app.

Download on the **App Store**

GET IT ON **Google Play**



Pioneer A-series Subwoofers	TS-D10LS4	TS-D10LS2
System Type	Component shallow subwoofer	Component shallow subwoofer
Sound Pressure Level (Sensitivity)	76dB (± 1.5dB)	74dB (± 1.5dB)
Frequency Range	20 Hz to 3.4 kHz	20 Hz to 3.4 kHz
Continuous Power Handling (RMS)	350 Watts	350 Watts
Maximum Peak Power Handling	1300 Watts	1300 Watts
Nominal Impedance	Single 4Ω Voice Coil (SVC)	Single 2Ω Voice Coil (SVC)
Woofer Cone Diameter	10"	10"
Woofer Cone Material	Aramid Fiber Interlaced Injection Molded Polypropylene (IMPP)	Aramid Fiber Interlaced Injection Molded Polypropylene (IMPP)
Woofer Surround	Butyl Rubber	Butyl Rubber
Basket Material	Stamped Steel	Stamped Steel
Spider	Conex (double)	Conex (double)
Magnet Material	Ferrite	Ferrite
Magnet Weight	43 oz	43 oz
Voice Coil Former Material	Glass imide	Glass imide
Voice Coil Wire Material	Copper, round wire, 4-layer	Copper, round wire, 4-layer
Mounting Depth	3.3"	3.3"
Fs (Hz)	37 Hz	36 Hz
Qts	0.8	0.75
Vas (liters • cu ft.)	16.1 • 0.57	15.4 • 0.54
Xmax (mm • inch)	8.3 • 0.33	7.9 • 0.31
Sealed Enclosure Volume cu ft. (min • rec • max)	0.35 • 0.6 • 0.7	0.35 • 0.6 • 0.7
Ported Enclosure Volume cu ft. (min • rec • max)	0.5 (3" x 9" port) • 0.6 (3" x 7.5" port) • 0.7 (3" x 6" port)	0.5 (3" x 9" port) • 0.6 (3" x 7.5" port) • 0.7 (3" x 6" port)

Frequency matched Pioneer D-series full-range speakers available in the following sizes and applications:
 TS-D69C, TS-D65C (Component Packages) • TS-D69F (6" x 9") • TS-D68F (6" x 8") • TS-D65F (6.5")

⚠ WARNING: Over time, your hearing "comfort level" adapts to higher volumes of sound, so that what sounds "normal" can actually be doing harm. To protect against hearing loss, set your equipment's volume at a low setting, slowly increase it until you can hear it comfortably and clearly, and leave it there. Do not turn up the volume so high that you can't hear what's around you.

Protect your investment. Purchase from an Authorized Pioneer Dealer. Only products purchased from an Authorized Pioneer Dealer (or Authorized Pioneer Internet Dealer) qualify for the manufacturer's warranty and manufacturer's rebates. Pioneer Electronics (USA) Inc., Post Office Box 1760, Long Beach, California 90801 Pioneer Customer Service Department: 1-800-PIONEER

Note: Specifications, designs, and user interfaces are subject to modification without notice. Product colors and illumination may differ in photographs from actual appearance due to effects of printing and photography.

PIONEER and the Pioneer logo are trademarks or registered trademarks of Pioneer Corporation. All other brand, product names, or logos are trademarks or registered trademarks of their respective holders.

Pioneer Electronics (USA) Inc. proudly supports and encourages you to support the Consumer Technology Association (CTA), Mobile Electronics Certification Program (MECP) for installers and the Specialty Equipment Market Association (SEMA).



CHECK OUT MORE AT PIONEERELECTRONICS.COM/CAR
YOUWILLHEARMORE.COM