

Pioneer

TS-ME100WC 10" Marine Component Subwoofer with 900 Watts Max and Sports Grille Design

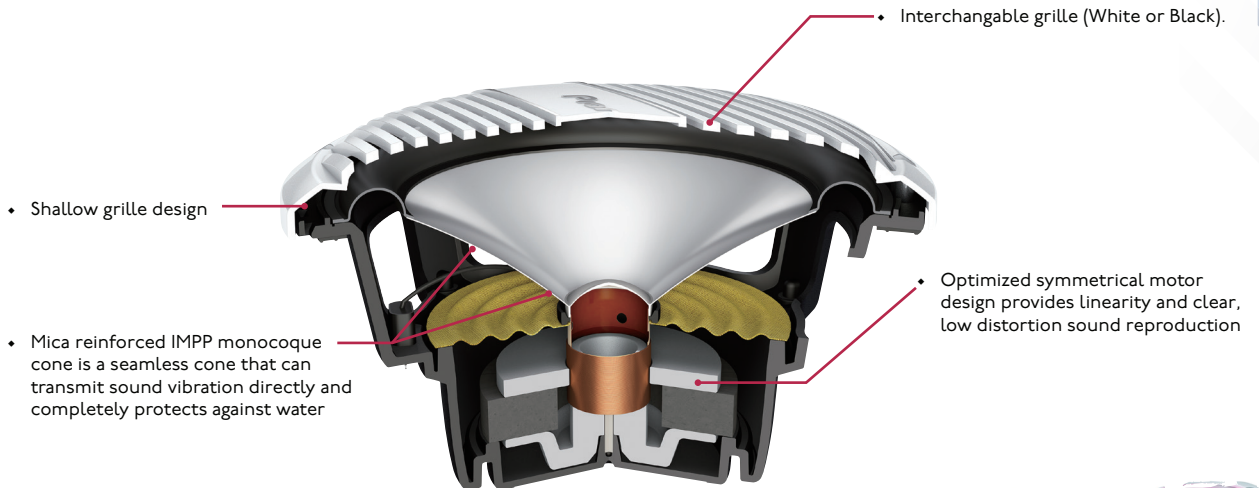


- 300 Watts Nominal Power
- IPX7 Rated
- Rated ASTM D4329 for UV Exposure
- Mica Reinforced IMPP Monocoque Cone
- White and Black Sports Grilles Included



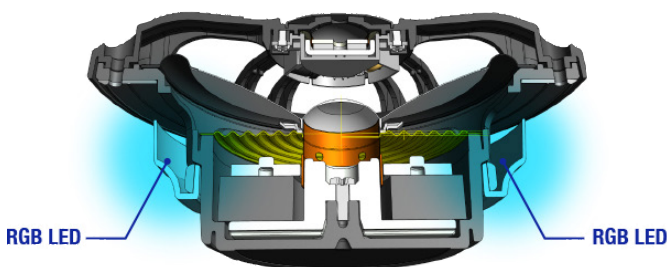
ME-Series Speakers

Pioneer ME-series speakers are protected from the effects of sun and water exposure, meeting both IPX7 and ASTM D4329 UV resistance standard ratings to achieve all-weather reliability. Mica Reinforced IMPP monocoque cone with butyl rubber surround, constructed using an advanced in-mold bonding technique for superior water resistance while maintaining high quality, powerful sound. The symmetrical motor design with high strength suspension is optimized to provide stability, linearity and clear, low distortion sound reproduction. Lightweight polyimide (PI) tweeter diaphragm and uniquely shaped wave guide provides natural and clear vocals with wide dispersion. The TS-ME100WC comes with two sleek modern grilles, one in black and the other in a white finish that cosmetically integrate seamlessly into marine interiors and cabin designs.



Optional UD-ME100LED RGB LED Light Kit

Add illumination to the woofer cone for an enhanced personalization and cosmetic integration with the IPX7-rated UD-ME100LED RGB LED light kit (Sold Separately).



ME-Series Speakers

The Pioneer Marine series now has a variety of choices to meet the open water starting with Pioneer digital receivers, speakers, subwoofers, amplifiers and accessory kits. Visit www.pioneerelectronics.com for more information about our other products we offer to make your water experience delightful.



Marine Series Subwoofers	TS-ME100WS	TS-ME100WC
System Type	Component	Component
Sound Pressure Level (Sensitivity)	84 dB	84 dB
Frequency Range	20 Hz to 3.5 kHz	20 Hz to 3.5 kHz
Continuous Power Handling (RMS)	300 Watts	300 Watts
Maximum Peak Power Handling	900 Watts	900 Watts
Nominal Impedance	4Ω	4Ω
Speaker Grille	Black Sports Grille, White Sports Grille	White
Woofer Cone Diameter	10"	10"
Woofer Cone Material	Mica reinforced IMPP Monocoque Cone	Mica reinforced IMPP Monocoque Cone
Cone Special Feature	Monocoque Construction	Monocoque Construction
Surround Material	Rubber	Rubber
Basket Material	Heat Resistant Resin	Heat Resistant Resin
Woofer Magnet Material	Ferrite	Ferrite
Woofer Magnet Weight	11.28 oz	11.28 oz
Voice Coil Type	Single	Single
Voice Coil Bobbin	Film	Film
Voice Coil Special Feature	Heat Resistant Long Voice Coil	Heat Resistant Long Voice Coil
Voice Coil Wire	Copper	Copper
Damper	Water Resist Single	Water Resist Single
Mounting Depth	5"	5"
Cut Out Dimensions	8-7/8"	8-7/8"
Equivalent Compliance (VAS)	0.95 ft ³	0.95 ft ³
Free Air ResoNance (Fs)	48 Hz	48 Hz
Linear Excursion (Xmax)	9.6 mm	9.6 mm
Recommended Sealed Box Volume	2 ft ³	2 ft ³
RGB LED Lighting	Optional (UD-ME100LED)	Optional (UD-ME100LED)
ASTM D4329	Yes	Yes
Ingress Protection	IPX7	IPX7
Warranty	1 Year	1 Year

For full specifications and other Pioneer products, visit www.pioneerelectronics.com

⚠ WARNING: Over time, your hearing "comfort level" adapts to higher volumes of sound, so that what sounds "normal" can actually be doing harm. To protect against hearing loss, set your equipment's volume at a low setting, slowly increase it until you can hear it comfortably and clearly, and leave it there. Do not turn up the volume so high that you can't hear what's around you.

This device is rated IPX7 using the Ingress Protection rating system. The device has been tested in a controlled environment and shown to be water resistant in certain circumstances and meets the requirements of the classification IPX7 as described by the international standard IEC 60529 - Degrees of Protection provided by Enclosures [IP Code]. Despite this classification, the device is not resistant to water damage in every situation.

Information provided for reference only and does not imply guaranteed compatibility with each model year of the vehicles shown. Consult your Authorized Pioneer Dealer to confirm vehicle compatibility.

Protect your investment. Purchase from an Authorized Pioneer Dealer. Only products purchased from an Authorized Pioneer Dealer (or Authorized Pioneer Internet Dealer) qualify for the manufacturer's warranty and manufacturer's rebates. Pioneer Electronics (USA) Inc., Post Office Box 1760, Long Beach, California 90801 Pioneer Customer Service Department: 1-800-PIONEER

Note: Specifications, designs, and user interfaces are subject to modification without notice. Product colors and illumination may differ in photographs from actual appearance due to effects of printing and photography.

PIONEER, and the Pioneer logo are trademarks or registered trademarks of Pioneer Corporation. All other brand, product names, or logos are trademarks or registered trademarks of their respective holders.

Pioneer Electronics (USA) Inc. proudly supports and encourages you to support the Consumer Technology Association (CTA), Mobile Electronics Certification Program (MECP) for installers and the Specialty Equipment Market Association (SEMA).



CHECK OUT MORE AT PIONEERELECTRONICS.COM/MARINE

[FACEBOOK.COM/PIONEERNORTHAMERICA](https://www.facebook.com/pioneernorthamerica)

[TWITTER.COM/PIONEERUSA](https://twitter.com/pioneerusa)

[INSTAGRAM.COM/PIONEERCARAUDIO](https://www.instagram.com/pioneercaraudio)

[YOUTUBE.COM/PIONEERELECTRONICS](https://www.youtube.com/pioneerelectronics)