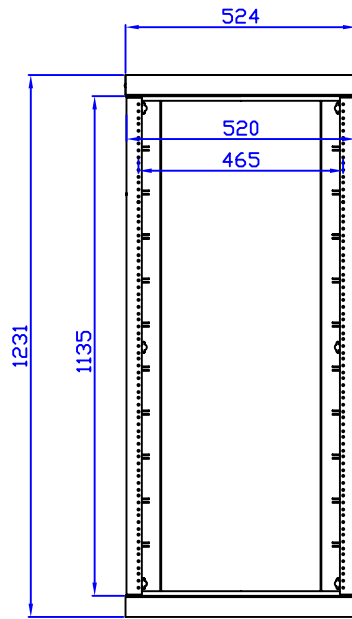
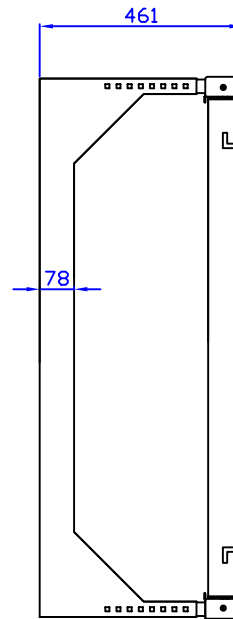


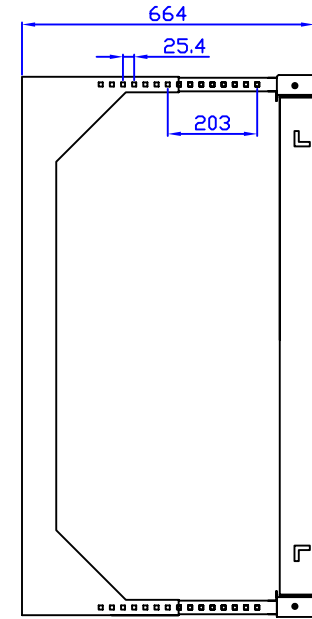
BACK



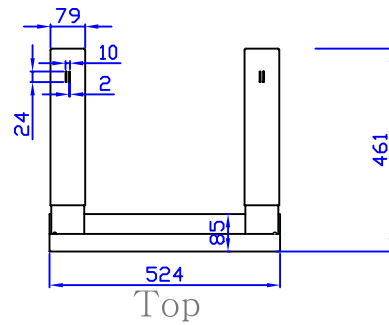
FRONT



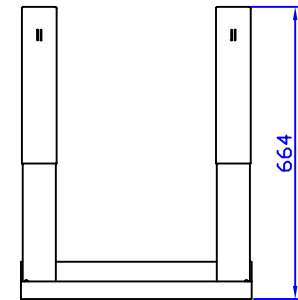
SIDE AT MINIMUM DEPTH



SIDE AT MAXIMUM DEPTH



Top



TOP AT MAXIMUM DEPTH

Quest Manufacturing Corp.

ITEM NO.		SR1921-25-02					
Drawn By		Date		Material	C.R.S.		
Checked By		Date		Unit	mm		
Approved By		Date		Surface Finish	Power Coat		