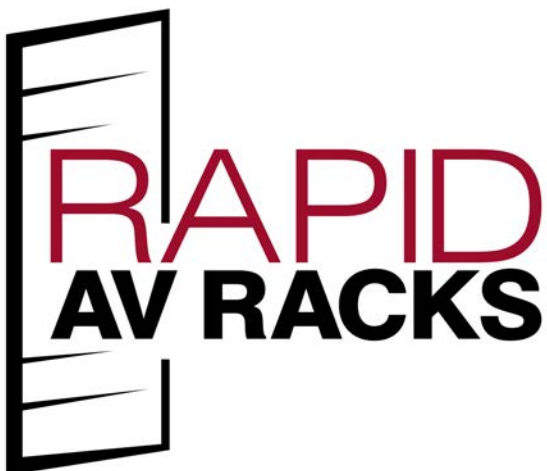
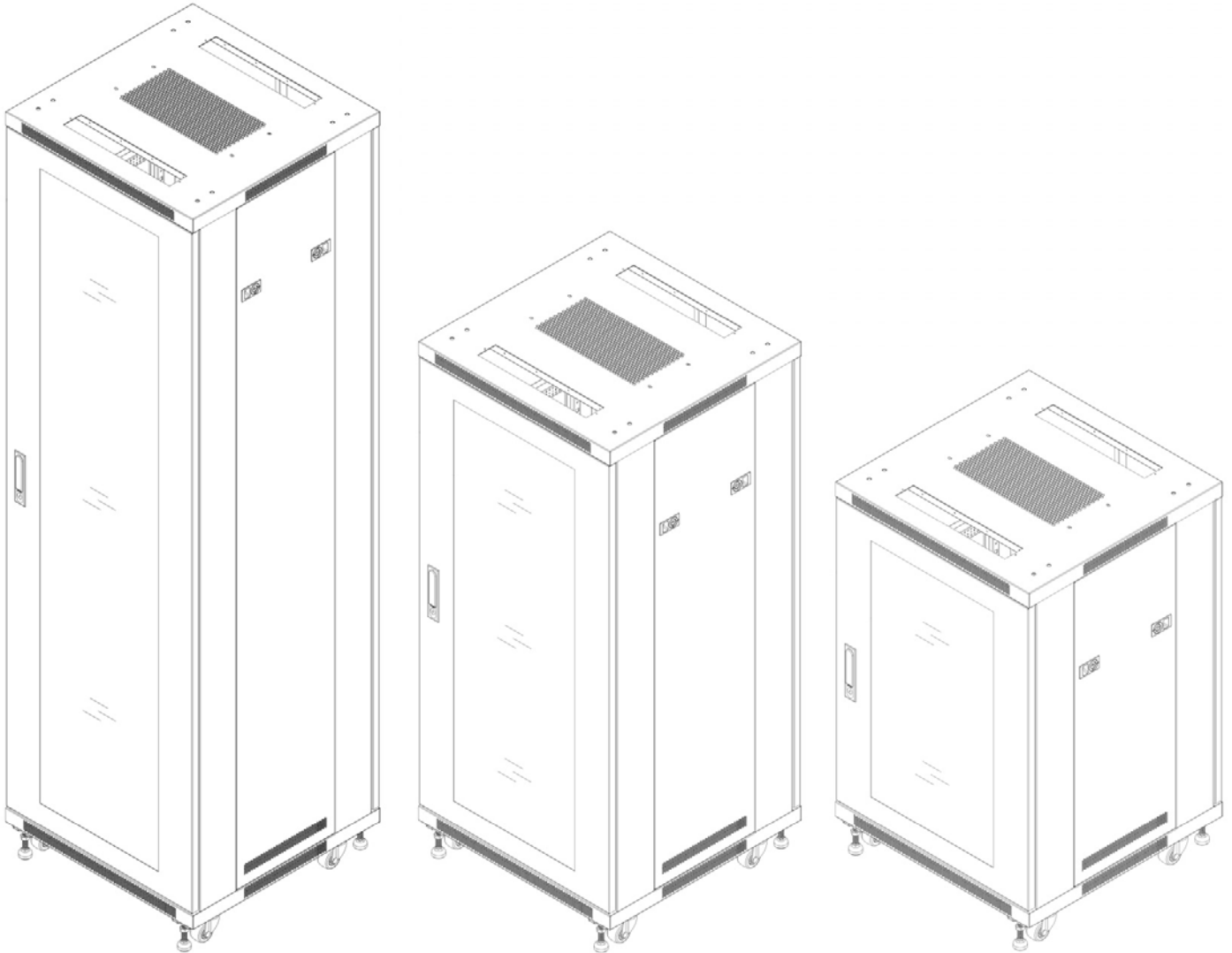


# Rack Enclosures

12, 18, 27, 35, 38, and 42 Space Rack Enclosures

## INSTRUCTION MANUAL



CAUTION: DO NOT EXCEED MAXIMUM LISTED WEIGHT CAPACITY. SERIOUS INJURY OR PROPERTY DAMAGE MAY OCCUR!

**Rack Enclosures:**

**Max Weight:** 12 Space Rack - 135 lbs  
18 Space Rack - 500 lbs  
27 Space Rack - 750 lbs  
35 Space Rack - 900 lbs  
38 Space Rack - 1,000 lbs  
42 Space Rack - 1,100 lbs

## QUESTIONS?

NEED HELP? PLEASE CALL



# 1-602-674-1000



## DISCLAIMER – WARNING INFORMATION

**Disclaimer – RAPID AV RACKS has extended every effort to ensure to accuracy and completeness of this manual.** However, RAPID AV RACKS does not claim that the information covers all installation and or operational variables. The information contained in this document is subject to change without notice or obligation of any kind. Regarding the information contained herein, RAPID AV RACKS makes no representation of warranty, expressed or implied, and assumes no responsibility for accuracy, sufficiency, or completeness of the information contained in this document.

**WARNING: FAILURE TO READ, THOROUGHLY UNDERSTAND, AND FOLLOW ALL INSTRUCTIONS CAN RESULT IN SERIOUS PERSONAL INJURY, DAMAGE TO PERSONAL PROPERTY, OR VOIDING OF FACTORY WARRANTY!**

It is the responsibility of the installer to ensure all components are properly assembled and installed using the instructions provided. If you do not understand these instructions or have any questions or concerns, please contact customer service at 1-602-674-1000 or [info@rapidvideomounts.com](mailto:info@rapidvideomounts.com). Do not attempt to install or assemble this product if the product or hardware is damaged or missing. The included hardware is designed for use on vertical walls constructed of wood studs or solid concrete. A wood stud wall is defined as consisting of a minimum of 2x4 wooden studs (2" wide by 4" deep) with a maximum of 5/8" drywall. The included hardware is not designed for use with metal studs or cinderblock walls. If you're uncertain about the construction of your wall, then please consult a qualified contractor or installer for assistance. For a safe installation, the wall you are mounting to must support 4 times the weight of the total load. If not, then the surface must be reinforced to meet this standard. The installer is responsible for verifying that the wall structure and hardware used in any installation method will safely support the total load.

## CAUTION!!! (MAXIMUM WEIGHT CAPACITY)

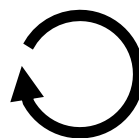
MODEL NUMBER	DESCRIPTION	WEIGHT CAPACITY (LBS)
RAP-R12	12 Space Rack Enclosure	135 lbs
RAP-R18	18 Space Rack Enclosure	500 lbs
RAP-R27	27 Space Rack Enclosure	750 lbs
RAP-R35	35 Space Rack Enclosure	900 lbs
RAP-R38	38 Space Rack Enclosure	1,000 lbs
RAP-R42	42 Space Rack Enclosure	1,100 lbs
N/A	2 Space Shelf	20 lbs
N/A	5 Space Shelf	100 lbs



**Level**  
Nivel  
Niveau



**Caution**  
Precaución  
Attention



**Tighten**  
Ajustar  
Serrer

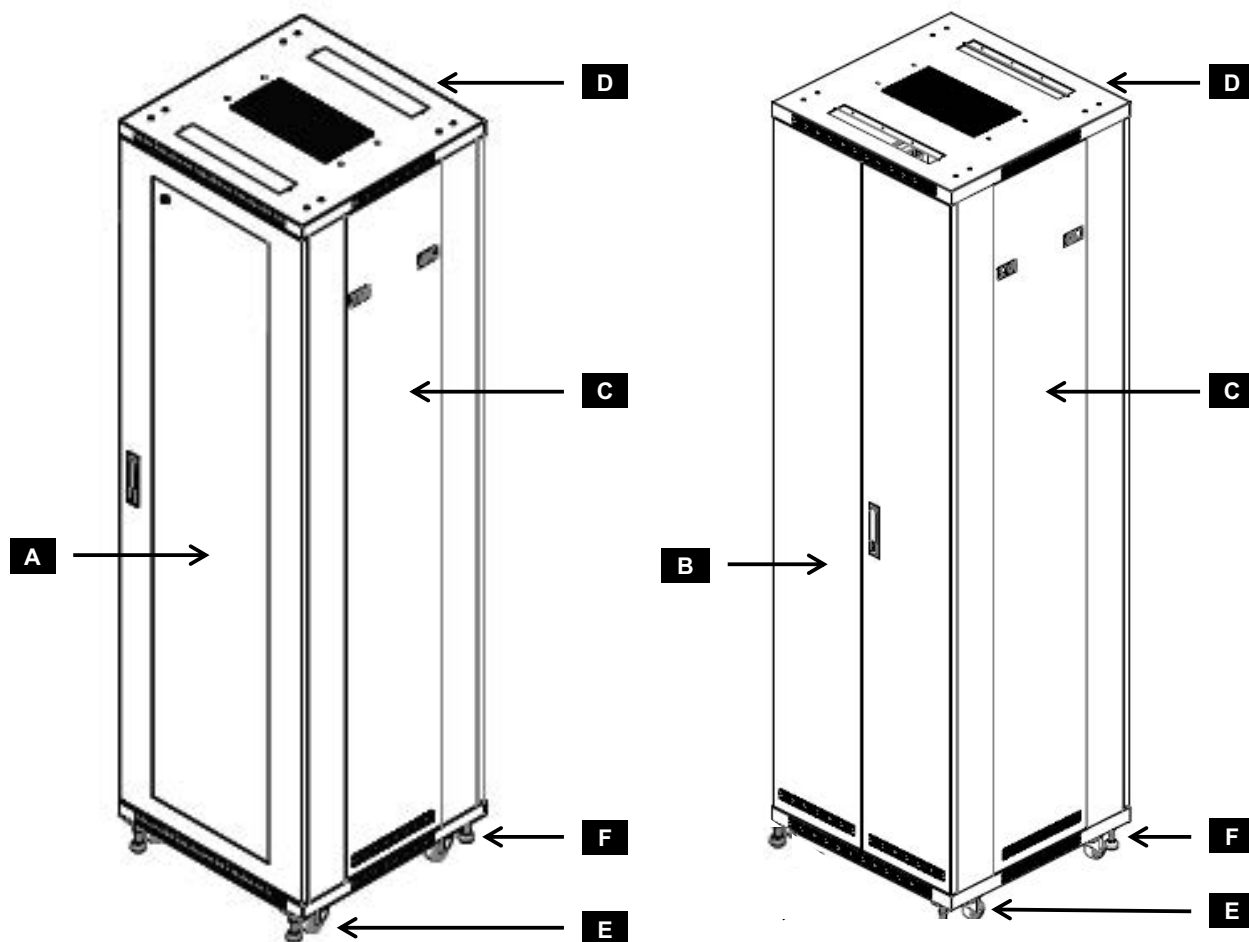


**Screwdriver**  
Destornillador  
Tournevis



**Heavy!**  
Tres Lourds!  
!Pesado!

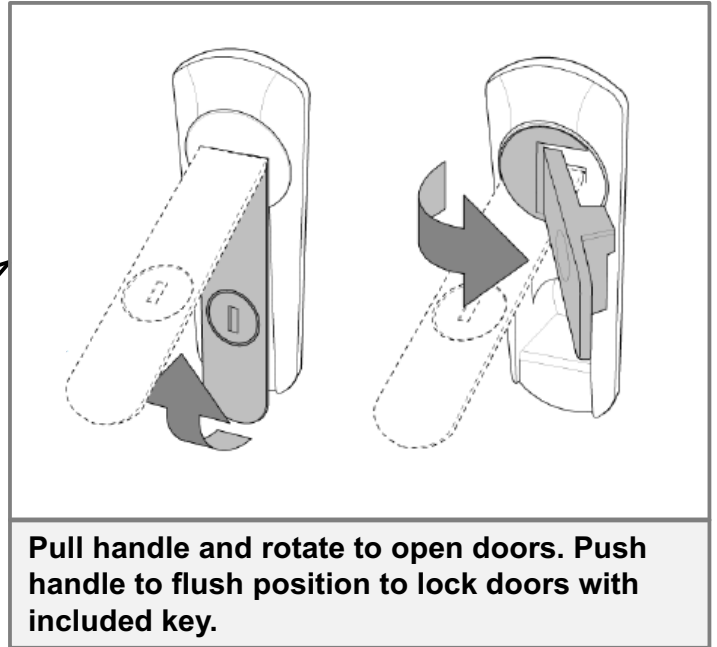
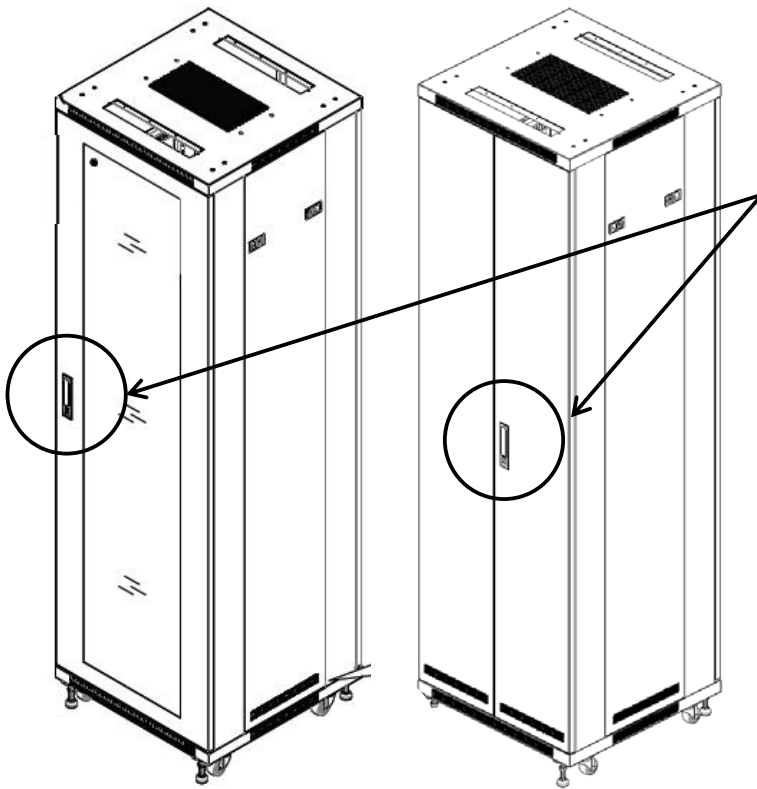
# PRODUCT COMPONENT PARTS



Part Letter	Description	Rack Spacing				
		12 Space	18 Space	27 Space	35/38 Space	42 Space
<b>A</b>	Front Door	1	1	1	1	1
<b>B</b>	Spilt Back Doors	1	1	1	1	1
<b>C</b>	Side Panels	2	2	2	2	2
<b>D</b>	Fan Panel *	0	1	1	1	1
<b>E</b>	Castors	0	4	4	4	4
<b>F</b>	Adjustable Feet	0	4	4	4	4
<b>Accessories</b>	Description	12 Space	18 Space	27 Space	35/38 Space	42 Space
	1U Blank	0	2	3	0	5
	1U Shelf	0	2	3	0	5
	2U Blank	0	1	2	6	4
	2U Shelf	0	1	2	5	2
	5U Shelf	0	0	0	1	2
	Shelf Screws (extra)	10	20	20	20	20
Keys	2	2	2	2	2	

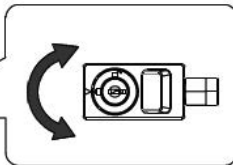
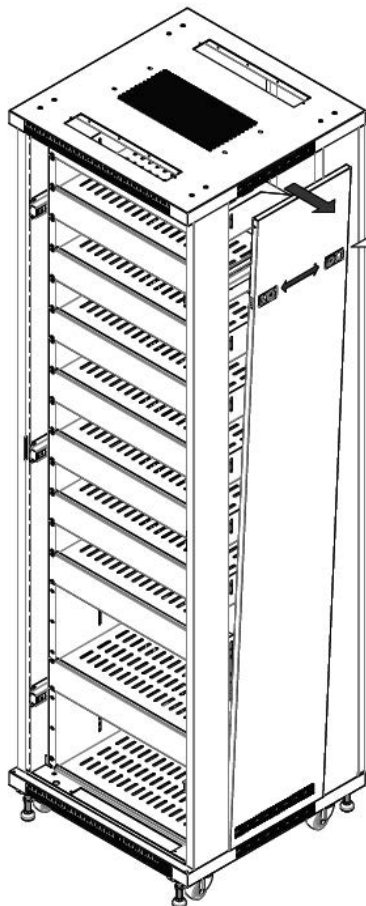
\* Fans are not thermally activated, please plug them into a switchable device.

## OPEN / LOCK DOORS



Pull handle and rotate to open doors. Push handle to flush position to lock doors with included key.

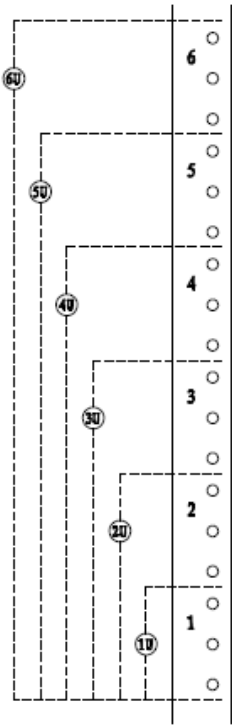
## REMOVABLE / LOCKABLE SIDE PANELS



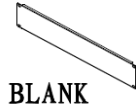
Side panels are removable and include locks for improved security. (Note - included keys used to lock/unlock front/back doors and side panels)

# ADJUSTABLE SHELVES

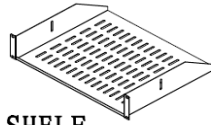
Adjust Shelves to desired location



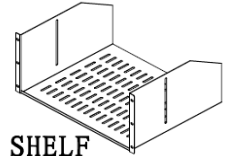
Shelves and blanks can be relocated within the rack enclosure rails. Rail attachments include spacing numbers for proper alignment. (Note - heavy components should always be placed at the bottom of rack enclosure)



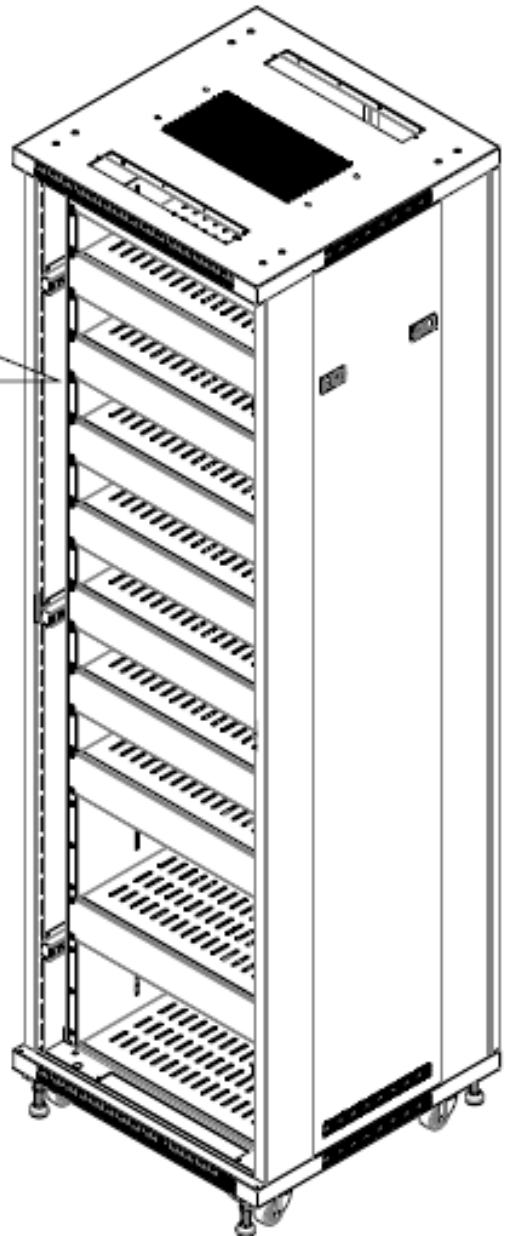
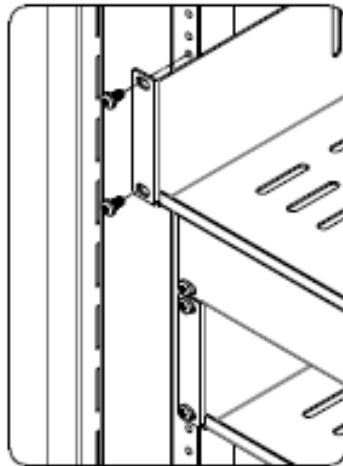
BLANK



2U SHELF



5U SHELF

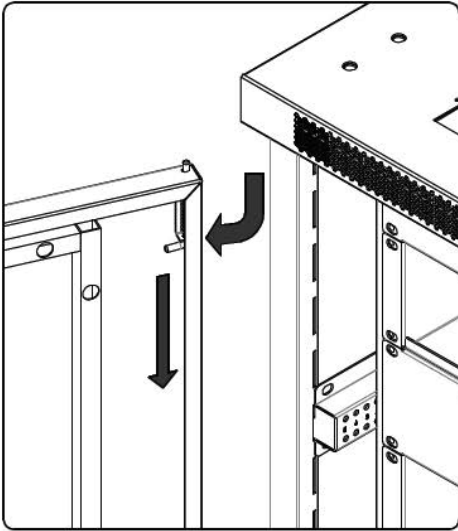


Locate heavier components at bottom of Rack

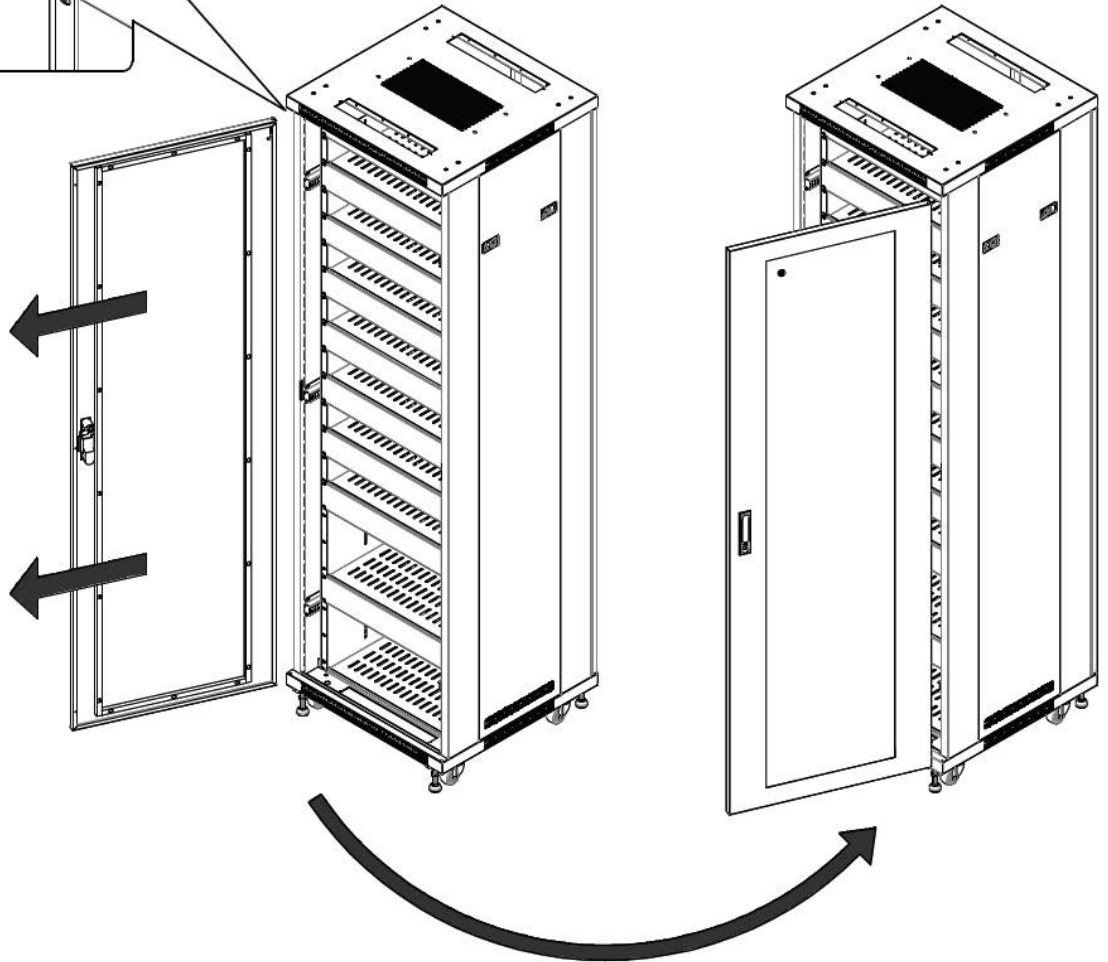


# DOOR REMOVAL / REVERSAL (OPTIONS)

## Options



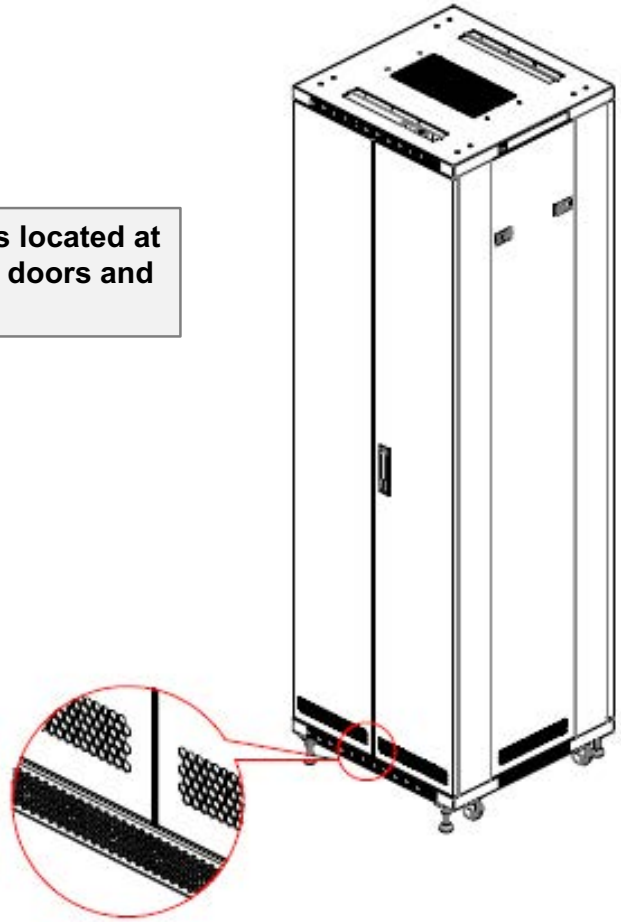
Door can be removed or reversed to open from opposite side of rack enclosure. (Note - door will need to be rotated 180 degrees (flipped) to switch door orientation)



## VENTILATION FOR COMPONENTS

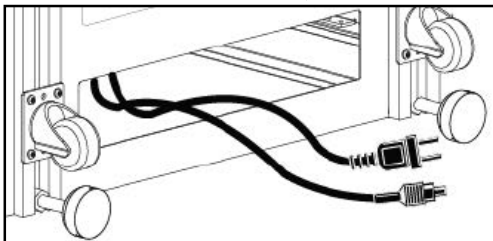
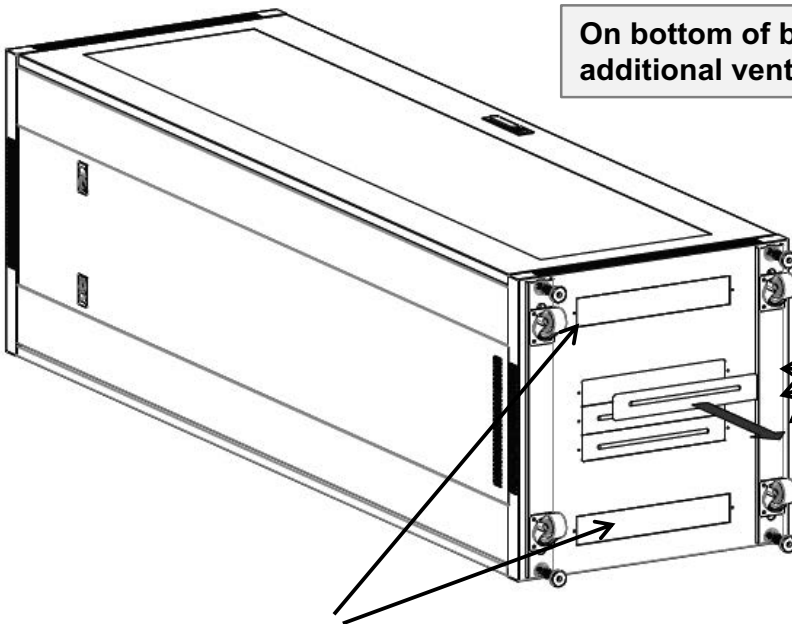
### Additional ventilation for bottom components

Do not obstruct the perforated hexagonal holes located at the edge of the base and lower section of back doors and side panels. These holes aid in ventilation.



## ADDITIONAL VENTILATION FOR COMPONENTS / WIRING

On bottom of base, 3 center panels can be removed when additional ventilation is needed.



On bottom of base, 2 panels can be removed (front and back) for wiring.



## WARRANTY INFORMATION

- This warranty applies to US Residents who purchase from an authorized RAPID AV RACKS Dealer. RAPID AV RACKS are covered against defects in materials and workmanship for 5 years. RAPID AV RACKS will repair or replace the defective component or product, at its sole discretion. Failure to follow product care instructions from RAPID AV RACKS will result in void of warranty.
- To obtain warranty service, contact RAPID AV RACKS customer service at 602-674-1000 or [info@rapidvideomounts.com](mailto:info@rapidvideomounts.com). You must supply a copy of your original receipt. If your product must be shipped to RAPID AV RACKS for inspection, you will be responsible for the shipping charges. Replacement product shipped to you will be returned freight pre-paid.
- RAPID AV RACKS disclaims any liability for modifications, improper installations, installations over the specified weight range, or failure to follow care instructions provided by RAPID AV RACKS. To the maximum extent permitted by law, RAPID AV RACKS disclaims any other warranties, expressed or implied, including warranties of fitness for a particular purpose and warranties of merchantability. RAPID AV RACKS will not be liable for any damages arising out of the use of, or inability to use, RAPID AV RACKS.
- This warranty gives you specific legal rights, and you may also have other rights which vary from state to state.
- Specifications are subject to change without prior notice.

NEED HELP? PLEASE CALL



1-602-674-1000

