



Product Guide

A2100 Half-Rack Digital 2-Channel Amplifier



The Russound Difference

Since 1967, Russound has been building advanced audio products designed to bring exceptional sound into the home. By specializing in professionally installed audio systems, Russound has gained extensive insight into building some of the best audio amplifiers available on the market today. The features built into the advanced A2100 digital amplifier make it the installer's first choice in stereo amplifiers for their most discerning customers.

Overview

The A2100 Digital Amplifier is designed to add high quality, high powered stereo amplification to any audio system. Ideal for adding extra power wherever needed or for adding additional speakers as needed, it is the perfect choice for larger rooms or outdoor zones. The space-saving design allows for an easy fit in any equipment rack and the installer-friendly integration features allow it to blend seamlessly into a system and activate automatically with other devices as needed.



Product Guide

A2100 Half-Rack Digital 2-Channel Amplifier

Key Features

High Quality Digital Amplification

By utilizing the latest Class D digital amplification technology, the A2100 offers an impressive 100 watts per channel at 8 ohms with less than 0.1% Total Harmonic Distortion (THD+N).

Half-Rack Size

The benefit of a modern digital amplification system is that the A2100 takes up a half-rack space and is only 1U high. Each A2100 includes a complete rack-mounting kit in the box to mount either a single A2100 or to link two Russound half-rack components together into a single 1U rack space.

4-ohm Stable Design

Don't let the small size fool you. Designed to handle an impedance as low as 4 ohms allows a total of four 8-ohm speakers to be used with the A2100 amplifier.

Bridgeable to 225 Watts

If 100 watts isn't enough for you, the A2100 includes a bridge option that allows you to bridge both channels into a single incredibly powerful 225-watt output. Combine two A2100 units together in the same system and you can have a stereo output at 225-watts per channel at 8 ohms, all in a 1U design.

Buffered Line Outs

The A2100 includes a stereo buffered line output that can be used for daisy-chaining additional amplifiers to your system. By using the integrated line outputs, you can add multiple amplifiers and create an expansive audio zone for very large rooms or outdoor zones that require additional power or more speakers.

System Integration Features

The A2100 has all of the features needed to integrate fully with any other audio components. It has three modes of operation:

Always On – Ready whenever you need it in your system

Auto On (Signal Sensing) – Detects the presence of an audio signal and turns on when needed

Trigger – Detects the presence of a 12vDC signal and turns on the amplifier when the signal is present and turns it off when the signal goes away.

Removable Screw-down Connectors

Installer-friendly connectors are used for all speaker connections, allowing audio professionals to lock in all connections for a long-lasting, trouble-free installation that is still easy to service and adjust throughout the life of the system. All connectors accept up to 12ga wire.

Worldwide Power Supply

Designed for worldwide operation, the automatic internal switching power supply can handle any voltage from 100v to 240v at 50/60Hz. The A2100 is available in two versions, one with a US power cord included, and an international version, the A2100i, which includes the three most popular international power cords: Euro, UK, and Australian.



Product Guide

A2100 Half-Rack Digital 2-Channel Amplifier

Key Features

Cord lock

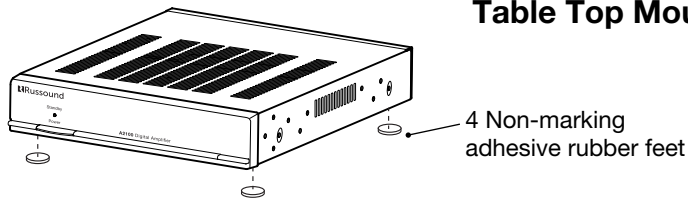
The rear panel of the A2100 includes a removable cord lock that can be used to secure the power cord to prevent accidental disconnects when servicing the system, moving wires, or pivoting a rack full of gear. No more frustrating service calls for a simple unplugged unit.

Flexible Mounting Options

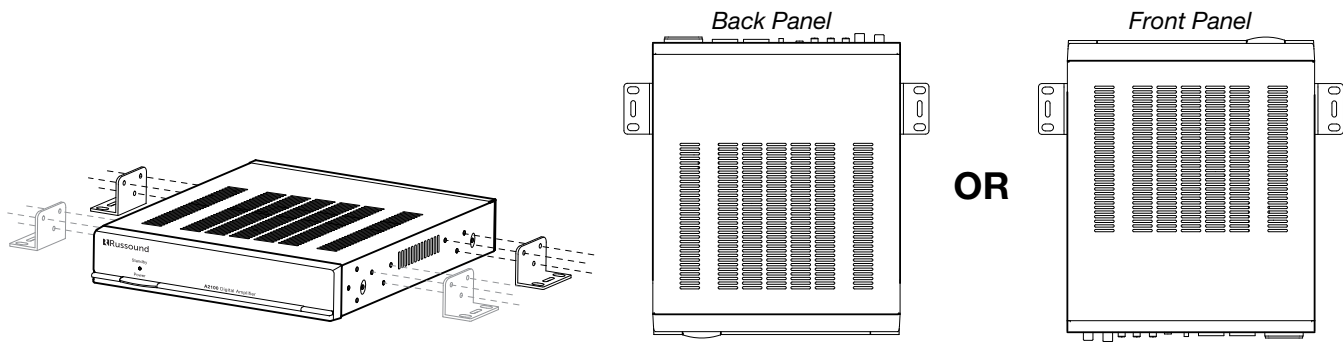
While easy to rack mount, the A2100 also includes the option of using the rack ears to mount it to a wall or other flat surface like the interior of a cabinet. The elegant design also permits its use in a table-top application for use on a shelf or cabinet.

Installation Options

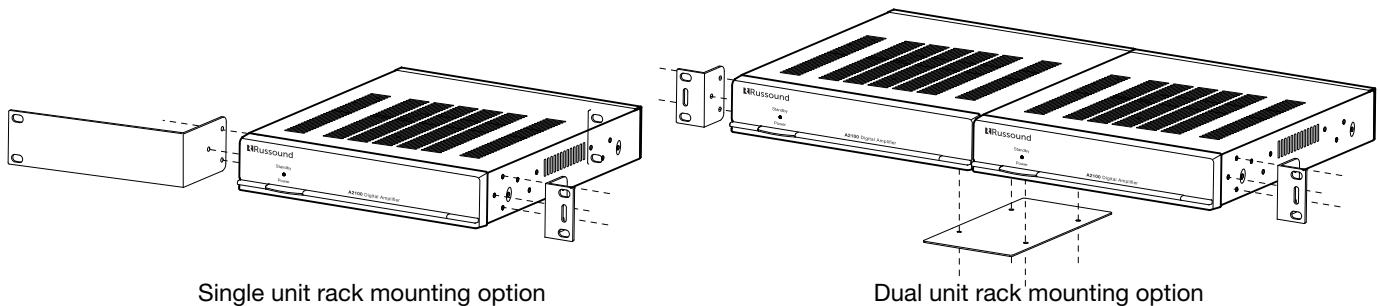
Table Top Mount



Wall Mount



Rack Mount



Trusted 2-year Warranty

The A2100 comes with a generous 2-year limited warranty on all parts and labor. While consumer products often offer warranties of as little as 90 days, the advanced design and high quality components of the A2100 are built for lasting quality that customers can trust for their home or business.



Product Guide

A2100 Half-Rack Digital 2-Channel Amplifier

Front and Rear Panel Features



- 1 Power Button: Power** - the front panel switch will manually switch the power on or off.
- 2 Power/Standby LED:** On start-up, the first LED lights red to show power on. When the amplifier goes into standby, the LED will light amber. The LED will light green during normal operation.
- 3 Line In:** Analog stereo audio input for a single input source. When in Bridge Mode, use the "L" audio input for the input signal.
- 4 Line Out:** A buffered line out is available to extend the audio signal to additional amplifiers as needed.
- 5 Volume:** Use this gain switch to attenuate the volume level to meet the room's needs.
- 6 Output:** The output switch has three positions, Bridge (mono), 8Ω (stereo), 4Ω (stereo). The default setting is 8Ω.
- 7 Turn-On:** There are three turn on-modes: always-on (On) , audio sensing (Auto) and activated by the 12v Trigger (Trigger).
- 8 12VDC Trigger:** Turns on the A2100 when set to Trigger mode and a 12VDC signal is received. The Trigger Out provides 100mA @12VDC to drive other 12V triggered devices.
- 9 Speaker Out:** Removable, Screw-Down Connector. Up to 12ga AWG wire may be used.
- 10 AC Input:** Switching power supply accepts 100-240VAC.
- 11 Locking Connector:** May be engaged to prevent cords from accidentally dislodging in an equipment rack.



Product Guide

A2100 Half-Rack Digital 2-Channel Amplifier

Product Specifications

Continuous Output Power	100W @ 8 Ohms < 0.1% THD+N 125W @ 4 Ohms < 0.5% THD +N 225W Bridged @ 8 Ohms < 0.2% THD+N
Minimum Impedance	Stereo mode - 4 ohms bridged mode - 8 ohms
Wire Gauge	Up to 12ga AWG
Power Requirements (Autoswitching Power Supply)	North American and European Models: 100VAC to 240VAC 50/60Hz 2.5A IEC 320 type connector with 3 terminal detachable power cord
Standby Power	≤0.5 Watts
Rack Ears	Included
Parts and Labor Warranty	2 years
Product Dimensions	8.5" W x 10.5" D x 1.75" H (21.59 x 26.67 x 4.45 cm)
Product Weight	4.10 lbs. (1.9 kg)
Shipping Dimensions	15"W x 11.25"D x 4.75"H (38 x 28.6 x 12cm) single unit
Shipping Weight	6.75 lbs. (3.1 kg)



Product Guide

A2100 Half-Rack Digital 2-Channel Amplifier

The Story Behind Russound **The Russound Difference from Design to Installation**



About Russound

Russound was founded in 1967 in Newmarket, NH. Russound was one of the first companies to embrace multiroom audio and became a leader in the custom installation channel.

Over the decades, Russound has sold millions of volume controls and our speaker selectors, amplifiers and multiroom distributed audio systems have become the industry standard. With systems that scale up to homes as large as 48 independent zones of audio, Russound has products that are sure to meet any installation need. While many of Russound's products are hidden from view, our award-winning user interfaces provide elegant, intuitive control options for homeowners to easily access their favorite music from anywhere in their home.

Throughout its rich history, Russound has received many industry awards for product design and has patented several key technologies for the custom installation field. While not a famous brand name to the typical consumer, Russound is one of the best known and trusted brands among audio installation specialists around the world.

The Russound website at www.russound.com has all of the core consumer-level information about our key products, while our registered dealers have additional access to installation manuals, tech tips, white papers, product imagery, and system wiring diagrams that are of use to any installation professional.

Russound | 1 Forbes Road Newmarket, NH 03857 | 603.659.5170 | www.russound.com

©2016 Russound/FMP, Inc. All rights reserved. Russound and the Russound logo are registered trademarks of Russound/FMP, Inc. All trademarks are the property of their respective owners. Russound reserves the right to change specifications without notice.

09.05.16 WP