

## IP 5MP Full Color 2.8mm Turret Camera

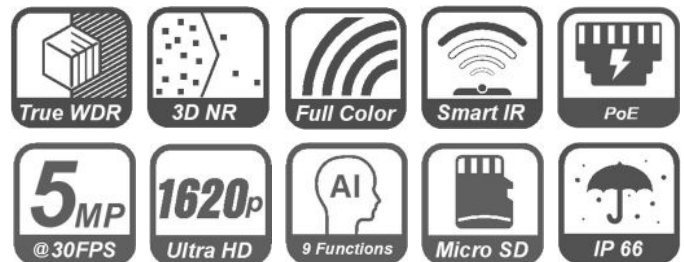
**EV-N2506-2W4WLQ** Full Color, 2.8mm Lens



The ENFORCER Full Color Turret Camera offers high-resolution video and advanced technology in a compact and accessible package. The built-in Warm Light can provide colorful display 24/7, or act as a deterrent warning light depending on the user's preference. With True Wide Dynamic Range (WDR), and Digital Noise Reduction (3DNR), the camera provides excellent picture quality.

### Features

- Colorful Display 24/7
- 1/2.7" 5MP SmartSens CMOS Sensor
- 30FPS@5MP, 1620p (2880x1620)
- 2.8mm Lens
- Triple Stream Encoding: H.265, H.264 and MJPEG
- True Wide Dynamic Range (WDR)
- Digital Noise Reduction (3DNR)
- True Day & Night Function with ICR Module
- ICR Sensitivity adjustment
- Corridor mode
- Operating temperature: -40°~131° F (-40°~55° C)
- IP66 Weatherproof
- IR Range 98' (30m)
- White LED 120°
- Smart IRs adjust IR strength to conditions
- MicroSD slot (512GB max)
- PoE (IEEE 802.3af), 12VDC
- ONVIF® profiles G, S, and T conformant



### AI Functions

- Face detection
- Human & vehicle detection
- Perimeter intrusion detection
- Line crossing detection
- Stationary object detection
- Cross counting
- Heat map
- Crowd density detection
- Queue length detection

ONVIF is a trademark of ONVIF, Inc.



**SECO-LARM® U.S.A., Inc.**

16842 Millikan Avenue, Irvine, CA 92606

Phone: (949) 261-2999 | (800) 662-0800 Fax: (949) 261-7326

Website: [www.seco-larm.com](http://www.seco-larm.com) Email: [sales@seco-larm.com](mailto:sales@seco-larm.com)



Copyright © 2023 SECO-LARM U.S.A., Inc. All rights reserved.  
All trademarks are the property of SECO-LARM U.S.A., Inc. or their respective owners.  
The SECO-LARM policy is one of continual development. For that reason, SECO-LARM reserves the right to change prices and specifications without notice. SECO-LARM is not responsible for misprints.  
**SECO-LARM® ENFORCER® CRIMEBUSTER® CBA® SLI®**

PI\_EV-N2506-2W4WLQ\_221220.docx

**Camera**

Image sensor	1/2.7" 5MP SmartSens CMOS	
Effective pixels	2880(H)x1620(V)	
Scanning system	Progressive scan	
Electronic shutter speed	Auto, Manual; 1/5 s to 1/20,000 s	
Minimum illumination	Color: 0.1Lux at F1.2 (AGC on) 0Lux with IR on	
IR Distance	Distance up to 98' (30m)	
IR On/Off control	Auto, manual	
IR LEDs	2x850nm LEDs	
Warm light	Quantity	2 white LEDs
	Distance	25m
	Bowl degree	120°

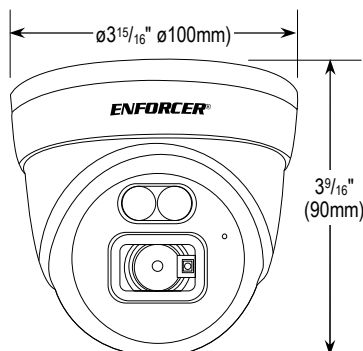
**Lens**

Lens type	Fixed
Focal length	2.8mm
Maximum aperture	F1.6
Field of view	Horizontal: 110°
	Vertical: 58°
	Diagonal: 133°

**Video**

Compression	H.265, H.264
Streaming capability	Triple (3) streams
Resolution	2880x1620, 2560x1440, 2304x1296, 1080p (1920x1080), 720p (1280x720)
Bit rate control	CBR/VBR
Bit rate	Main stream: 256 to 8192 Kbps Sub stream: 128 to 4096 Kbps Mobile stream: 8 to 1536 Kbps
Backlight	Disable (default), BLC, HLC, True WDR
White balance	Auto
Gain control	Auto
Noise reduction	3D DNR
Smart IR	Support
Image rotation	0°, 180°
Mirror	Disable, vertical, horizontal, all
Privacy masking	Off, on (4 areas, rectangle)
Region of interest	Support

**Dimensions**



**Network**

Ethernet	RJ45
Protocol	TCP/IP, HTTP, DHCP, DNS, DDNS, RTP, RTSP, SMTP, NTP, UPnP, SNMP, HTTPS, FTP
Interoperability	ONVIF® profiles G, S, and T conformant
Auto register	Support
Streaming method	Multicast
Max. user access	7
Web viewer	IE, Chrome, Firefox, Edge
On-board storage	Built in memory slot Supports up to 512GB MicroSD/SDHC/SDXC

**Certifications**

Certifications	CE, FCC, RoHS
ONVIF®	Profiles G, S, and T conformant
NDAA	Compliant

**Electrical**

Power supply	12VDC, or PoE (IEEE 802.3af Class 0)
Power consumption	< 6W

**Environmental**

Operating conditions	-40°~131° F (-40°~55° C) Less Than 95% RH
Storage conditions	-40°~140° F (-40°~60° C)
IP Rating	IP66 Weatherproof

**Construction**

Casting	Metal
Dimensions	ø3 15/16" x 3 9/16" (ø100x90 mm)
Weight	13.05-oz (370g)

**Accessories**

Junction Box



EV-SSWQ