

IP 5MP 2.8mm Turret Camera

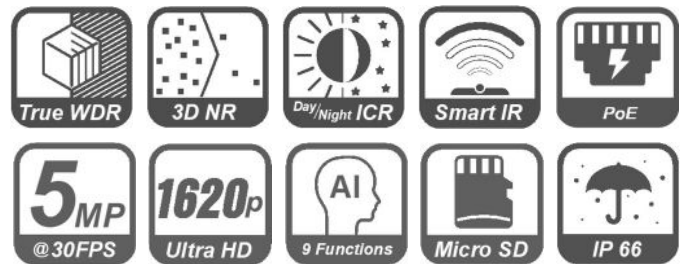
EV-N2506-2W4WQ 2.8mm Lens



The ENFORCER Fixed Turret Camera offers high-resolution video and advanced technology in a compact and accessible package. The camera features H.265 video compression, reducing bandwidth and storage requirements without giving up video quality. With True Wide Dynamic Range (WDR), Digital Noise Reduction (3DNR) and Day/Night (ICR) capabilities, the camera provides excellent picture quality.

Features

- 1/2.7" 5MP SmartSens CMOS Sensor
- 30FPS@5MP, 1620p (2880x1620)
- 2.8mm Lens
- Triple Stream Encoding: H.265, H.264 and MJPEG
- True Wide Dynamic Range (WDR)
- Digital Noise Reduction (3DNR)
- True Day & Night Function with ICR Module
- ICR Sensitivity adjustment
- Corridor mode
- Operating temperature: -40°~131° F (-40°~55° C)
- IP66 Weatherproof
- IR Range 98' (30m)
- Smart IRs adjust IR strength to conditions
- MicroSD slot (512GB max)
- PoE (IEEE 802.3af), 12VDC
- ONVIF® profiles G, S, and T conformant



AI Functions

- Face detection
- Human & vehicle detection
- Perimeter intrusion detection
- Line crossing detection
- Stationary object detection
- Cross counting
- Heat map
- Crowd density detection
- Queue length detection

ONVIF is a trademark of ONVIF, Inc.



SECO-LARM® U.S.A., Inc.

16842 Millikan Avenue, Irvine, CA 92606

Phone: (949) 261-2999 | (800) 662-0800 Fax: (949) 261-7326

Website: www.seco-larm.com Email: sales@seco-larm.com



Copyright © 2023 SECO-LARM U.S.A., Inc. All rights reserved.
All trademarks are the property of SECO-LARM U.S.A., Inc. or their respective owners.
The SECO-LARM policy is one of continual development. For that reason, SECO-LARM reserves the right to change prices and specifications without notice. SECO-LARM is not responsible for misprints.

SECO-LARM® ENFORCER® CRIMEBUSTER® CBA® SLI®

PI_EV-N2506-2W4WQ_221220.docx

Camera

Image sensor	1/2.7" 5MP SmartSens CMOS
Effective pixels	2880(H)x1620(V)
Scanning system	Progressive scan
Electronic shutter speed	Auto, Manual; 1/5 s to 1/20,000 s
Minimum illumination	Color: 0.1Lux at F1.2 (AGC on) 0Lux with IR on
IR Distance	Distance up to 98' (30m)
IR On/Off control	Auto, manual
IR LEDs	2x850nm LEDs

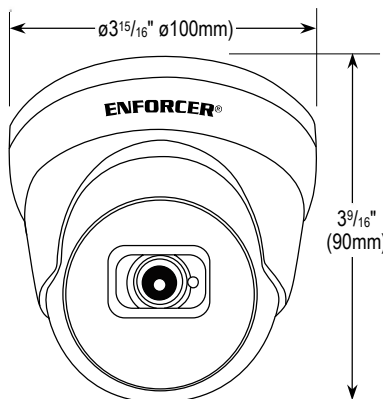
Lens

Lens type	Fixed
Focal length	2.8mm
Maximum aperture	F1.6
Field of view	Horizontal: 110° Vertical: 58° Diagonal: 133°

Video

Compression	H.265, H.264
Streaming capability	Triple (3) streams
Resolution	2880x1620, 2560x1440, 2304x1296, 1080p (1920x1080), 720p (1280x720)
Bit rate control	CBR/VBR
Bit rate	Main stream: 256 to 8192 Kbps Sub stream: 128 to 4096 Kbps Mobile stream: 8 to 1536 Kbps
Backlight	Disable (default), BLC, HLC, True WDR
White balance	Auto
Gain control	Auto
Noise reduction	3D DNR
Smart IR	Support
Image rotation	0°, 180°
Mirror	Disable, vertical, horizontal, all
Privacy masking	Off, on (4 areas, rectangle)
Region of interest	Support

Dimensions



Network

Ethernet	RJ45
Protocol	TCP/IP, HTTP, DHCP, DNS, DDNS, RTP, RTSP, SMTP, NTP, UPnP, SNMP, HTTPS, FTP
Interoperability	ONVIF® profiles G, S, and T conformant
Auto register	Support
Streaming method	Multicast
Max. user access	7
Web viewer	IE, Chrome, Firefox, Edge
On-board storage	Built in memory slot Supports up to 512GB MicroSD/SDHC/SDXC

Certifications

Certifications	CE, FCC, RoHS
ONVIF®	Profiles G, S, and T conformant
NDAA	Compliant

Electrical

Power supply	12VDC, or PoE (IEEE 802.3af Class 0)
Power consumption	< 6W

Environmental

Operating conditions	-40°~131° F (-40°~55° C) Less Than 95% RH
Storage conditions	-40°~140° F (-40°~60° C)
IP Rating	IP66 Weatherproof

Construction

Casting	Metal
Dimensions	ø3 15/16"x3 9/16" (ø100x90 mm)
Weight	13.05-oz (370g)

Accessories

Junction Box



EV-SSWQ