

SURROUND SOUND REFERENCE IN-WALL SPEAKERS

R1 • R2 • R1SUR • R2SUR

Overview

Created for AV Designers building systems that require the best surround sound available with a look that fits the space aesthetically, Sonance Reference provides truly incredible sound. Engineered to give you an amazing cinema experience in any room, Sonance Reference has options for in-wall, in-ceiling, cabinet speakers and in-wall subwoofers. All Reference speakers and subwoofers have low-profile, paintable grilles that allow you to experience the content without visual intrusion.

Key Features

Aesthetics

- Consistent aesthetic with all Sonance speakers
- Matte finish to eliminate reflection behind screens
- One-piece paintable grille to blend into your walls

Performance

- Optimized low defraction baffle to reduce distortion
- Built to bring out the best sound in movies, gaming and streaming
- All new driver technology
- High excursion carbon fiber woofer

Installation

- Easy to install
- Designed to fit into a 2" x 4" wall cavity
- Mix and match with Reference in-ceiling speakers and subwoofers



R1

R1SUR

R2

R2SUR

R1/R1SUR Speaker
with GrilleR2/R2SUR Speaker
with Grille

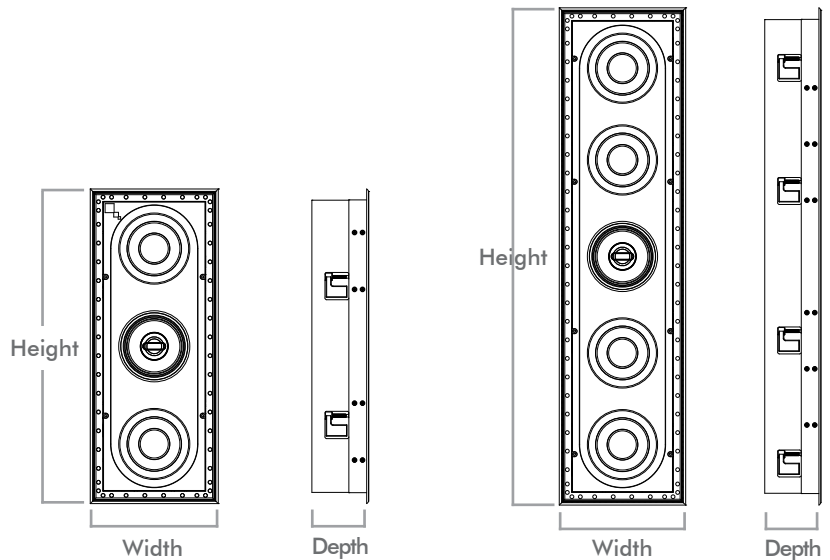
Dimensions

R1

Width:	8 7/8" (225mm)
Height:	21 3/4" (553mm)
Depth:	3 7/8" (98mm)
Cut-Out Width:	7 1/2" (191mm)
Cut-Out Height:	33 1/2" (851mm)

R2

Width:	8 7/8" (225mm)
Height:	34 7/8" (886mm)
Depth:	3 7/8" (98mm)
Cut-Out Width:	1/2" (191mm)
Cut-Out Height:	20 1/2" (521mm)



Specifications

Model:	R1	R2
SKU:	93344	93346
Unit of Measure:	Each	Each
Tweeter:	1" (25mm) Ceramic dome, Ferrofluid-cooled in an acoustic back chamber	1" (25mm) Ceramic dome, Ferrofluid-cooled in an acoustic back chamber
Midrange:	5 1/4" (133mm) Carbon fiber/Rohacell laminated cone with a rubber surround	5 1/4" (133mm) Carbon fiber/Rohacell laminated cone with a rubber surround
Woofers:	Two 5 1/4" (133mm) Carbon fiber/Rohacell laminated cones with rubber surrounds	Four 5 1/4" (133mm) Carbon fiber/Rohacell laminated cones with rubber surrounds
Frequency Response:	70Hz - 30kHz +/-3dB	70Hz - 30kHz +/-3dB
Impedance:	8 Ohms nominal; 6 Ohms minimum	6 Ohms nominal; 4 Ohms minimum
Power Handling:	5 Watts minimum; 150 Watts maximum	5 Watts minimum; 200 Watts maximum
Sensitivity:	90dB SPL (2.83V/1 meter)	92dB SPL (2.83V/1 meter)
Grille Material:	Perforated steel	Perforated steel
Shipping Weight:	19 lbs (8.6kg) each	29 lbs (13.2kg) each

Recommended Products



R1 & R1SUR Flex Bracket
SKU 92690



R2 & R2SUR Flex Bracket
SKU 92691

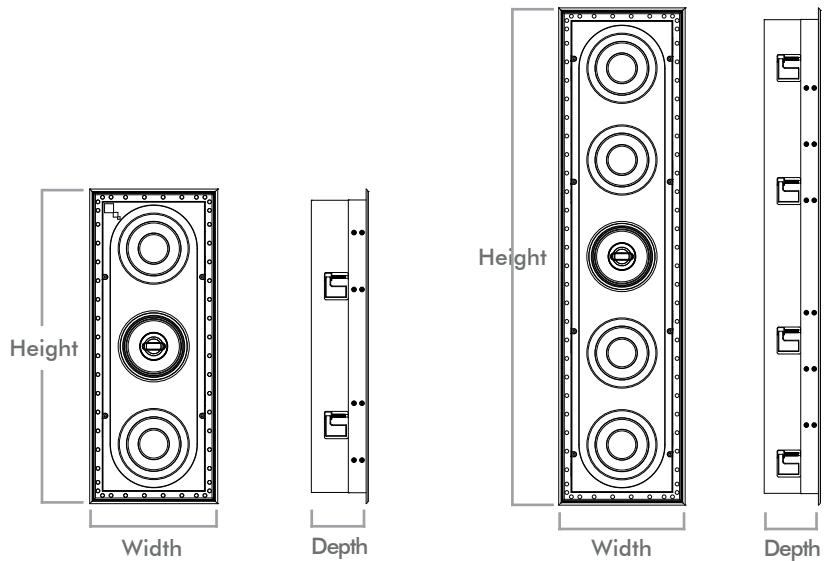
Dimensions

R1SUR

Width:	8 7/8" (225mm)
Height:	21 3/4" (553mm)
Depth:	3 7/8" (98mm)
Cut-Out Width:	7 1/2" (191mm)
Cut-Out Height:	20 1/2" (521mm)

R2SUR

Width:	8 7/8" (225mm)
Height:	34 7/8" (886mm)
Depth:	3 7/8" (98mm)
Cut-Out Width:	7 1/2" (191mm)
Cut-Out Height:	33 1/2" (851mm)



Specifications

	R1SUR	R2SUR
Model:	R1SUR	R2SUR
SKU:	93345	93347
Unit of Measure:	Each	Each
Tweeter:	Two 1" (25mm) Ceramic domes, Ferrofluid-cooled in an acoustic back chamber	Two 1" (25mm) Ceramic domes, Ferrofluid-cooled in an acoustic back chamber
Midrange:	Two 3" (76mm) Carbon fiber/Rohacell laminated cones with rubber surrounds	Two 3" (76mm) Carbon fiber/Rohacell laminated cones with rubber surrounds
Woofers:	Two 5 1/4" (133mm) Carbon fiber/Rohacell laminated cones with rubber surrounds	Four 5 1/4" (133mm) Carbon fiber/Rohacell laminated cones with rubber surrounds
Frequency Response:	70Hz - 30kHz +/-3dB	70Hz - 30kHz +/-3dB
Impedance:	8 Ohms nominal; 6 Ohms minimum	6 Ohms nominal; 4 Ohms minimum
Power Handling:	5 watts minimum; 150 watts maximum	5 watts minimum; 200 watts maximum
Sensitivity:	90dB SPL (2.83V/1 meter)	92dB SPL (2.83V/1 meter)
Grille Material:	Perforated steel	Perforated steel
Shipping Weight:	19 lbs (8.6kg) each	29 lbs (13.2kg) each

LIMITED LIFETIME WARRANTY

Sonance warrants to the first end-user purchaser that this Sonance-brand product ("Product"), when purchased from an authorized Sonance Dealer/Distributor, will be free from defective workmanship and materials for the life of the Product, except for the grille, which is warranted for five (5) years. Sonance will, at its option and expense, either repair the defect or replace the Product with a new or remanufactured Product or a reasonable equivalent. **Please visit our website and owner's e-Manual for complete warranty and exclusion information.**



©2017 Sonance. All rights reserved.

Sonance and Visual Performance are registered trademarks of Dana Innovations.

Due to continuous product improvement, all features and specifications are subject to change without notice.

For the latest Sonance product specification information visit our website: www.sonance.com

SONANCE • 991 Calle Amanecer • San Clemente, CA 92673 USA
 (949) 492-7777 • FAX: (949) 361-5151 • Technical Support: (949) 492-7777
www.sonance.com