

# VISUAL PERFORMANCE® SERIES

VP82, VP86, VP88



## Product Family Overview

From the company that invented the category, comes the **BEST SOUNDING**, best looking and most complete range of in-wall and in-ceiling speakers ever. Visual Performance® Series

comes in various shapes and sizes to compliment down lights and décor and a complete range that allows you to enjoy a consistent aesthetic for any application in any room.



VP82



VP86



VP88

## Features and Benefits

### Absolute best sonic performance at all price points

- Designed using state-of-the-art computer modeling software to vastly improve magnetic field and suspension linearity for consistent sonic performance at any SPL for best-in-class performance

### Latest high-tech driver and tweeter material technology

- Improved low frequency performance
- Improved driver cone materials
- Low diffraction woofer, and midrange tweeter design
- Pivoting midrange and tweeter for improved frequency response in off-axis installations
- Tweeter adjustment switch +/- 3dB
- Chambered midrange and tweeter design on all models

### The chambered tweeter design does the following

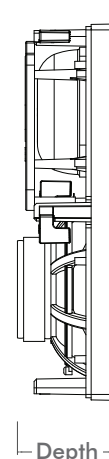
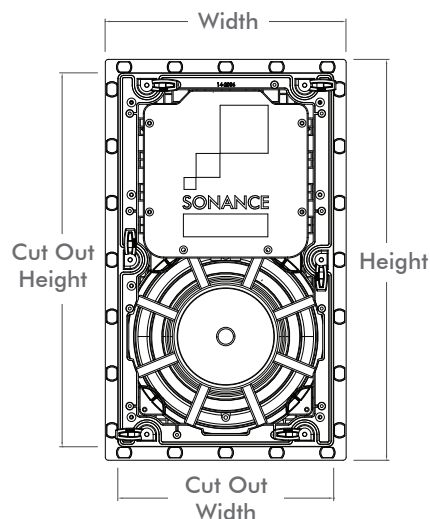
- Lowers the resonance frequency of the tweeter
- Allows for a lower crossover frequency to the woofer
- Reduces the back pressure on the tweeter dome
- Reduces the distortion of the tweeter near the crossover frequency

### Easier to install

- Easier to access Roto-Lock® screws
- Removed metal hang tabs
- One-piece paintable grille with peel and stick scrim cloth for easier painting
- Two piece toggle feet allows installation with double dry wall and thicker ceiling and wall materials

## Specifications

Width:	10" (254mm)
Height:	16" (406mm)
Depth:	3 7/8" (98mm)
Cut Out Width:	8 1/2" (216mm)
Cut Out Height:	14 1/2" (368mm)



**VP82****VP86****VP88****SPECIFICATIONS**

SKU	93006	93007	93008
UOM	Pair	Pair	Pair
Tweeter	1" (25mm) cloth dome, Ferrofluid-cooled, pivoting, in acoustic back chamber	1" (25mm) powder coated aluminum dome, Ferrofluid-cooled, pivoting, in acoustic back chamber	1" (25mm) ceramic dome, Ferrofluid-cooled, pivoting, in acoustic back chamber
Midrange	4" (102mm) textured polypropylene cone with a rubber surround, pivoting	4" (102mm) Kevlar / Nomex laminated cone with a rubber surround, pivoting	4" (102mm) Carbon fiber / Rohacell® laminated cone with a rubber surround, pivoting
Woofer	8" (203mm) textured polypropylene cone with a rubber surround	8" (203mm) Kevlar / Nomex laminated cone with a rubber surround	8" (203mm) Carbon fiber / Rohacell® laminated cone with a rubber surround
Frequency Response	38Hz – 20kHz ±3dB	34Hz - 20kHz ±3dB	30Hz - 20kHz ±3dB
Impedance	8 ohms nominal; 6 ohms minimum	8 ohms nominal; 6 ohms minimum	6 ohms nominal; 4 ohms minimum
Power Handling	5 watts minimum; 125 watts maximum	5 watts minimum; 150 watts maximum	5 watts minimum; 175 watts maximum
Sensitivity	90dB SPL (2.83V/1 meter)	91dB SPL (2.83V/1 meter)	91dB SPL (2.83V/1 meter)
Grille	Perforated steel	Perforated steel	Perforated steel
Adjustments	-	-	Tweeter Level Switch -3dB Flat +3dB
Dimensions (W x H x D)	10" x 16" x 3 7/8" (254mm x 406mm x 98mm)	10" x 16" x 3 7/8" (254mm x 406mm x 98mm)	10" x 16" x 3 7/8" (254mm x 406mm x 98mm)
Cut-Out Dimensions (W x H)	8 1/2" x 14 1/2" (216mm x 368mm)	8 1/2" x 14 1/2" (216mm x 368mm)	8 1/2" x 14 1/2" (216mm x 368mm)
Shipping Weight	20 lbs (9kg) pair	20 lbs (9kg) pair	22 lbs (10kg) pair

**Associated Products**Large Rectangle Retrofit Enclosure  
(Pair Per Box)

92242

Large Rectangle Flex Bracket  
(5 Pair Per Box)

92246

Large Rectangle Acoustic Enclosure  
(Each)

91708

Large Rectangle Coverplate  
(Pair Per Box)

92244

**LIMITED LIFETIME WARRANTY**

Sonance warrants to the first end-user purchaser that this Sonance-brand product ("Product"), when purchased from an authorized Sonance Dealer/Distributor, will be free from defective workmanship and materials for the life of the Product, except for the grille, which is warranted for five (5) years. Sonance will at its option and expense either repair the defect or replace the Product with a new or remanufactured Product or a reasonable equivalent. **Please visit our website and owner's e-Manual for complete warranty and exclusion information.**



©2015 Sonance. All rights reserved.

Sonance, Visual Performance and Roto-Lock, are registered trademarks of Dana Innovations.

Due to continuous product improvement, all features and specifications are subject to change without notice. For the latest Sonance product specification information visit our website: [www.sonance.com](http://www.sonance.com)SONANCE • 991 Calle Amanecer • San Clemente, CA 92673 USA  
(949) 492-7777 • FAX: (949) 361-5151 • Technical Support: (949) 492-7777  
[www.sonance.com](http://www.sonance.com)