

VISUAL PERFORMANCE® SERIES

THINLINE: VP66 TL



Product Family Overview

From the company that invented the category, comes the **BEST SOUNDING**, best looking and most complete range of in-wall and in-ceiling speakers ever. Visual Performance® Series

comes in various shapes and sizes to compliment down lights and décor and a complete range that allows you to enjoy a consistent aesthetic for any application in any room.

Features and Benefits

Visual Performance ThinLine speakers feature shallow 2 1/2" and 3 5/32" (64mm and 80mm) depths that allow installation in areas that will not accommodate conventional speakers.

Absolute best sonic performance at all price points

- Designed using state-of-the-art computer modeling software to vastly improve magnetic field and suspension linearity for consistent sonic performance at any SPL for best-in-class performance

Latest high-tech driver and tweeter material technology

- Improved low frequency performance
- Improved driver cone materials
- Low diffraction woofer and tweeter design
- Pivoting tweeter for improved frequency response in off-axis installations
- Chambered tweeter design on all models

The chambered tweeter design does the following

- Lowers the resonance frequency of the tweeter
- Allows for a lower crossover frequency to the woofer
- Reduces the back pressure on the tweeter dome
- Reduces the distortion of the tweeter near the crossover frequency

Easier to install

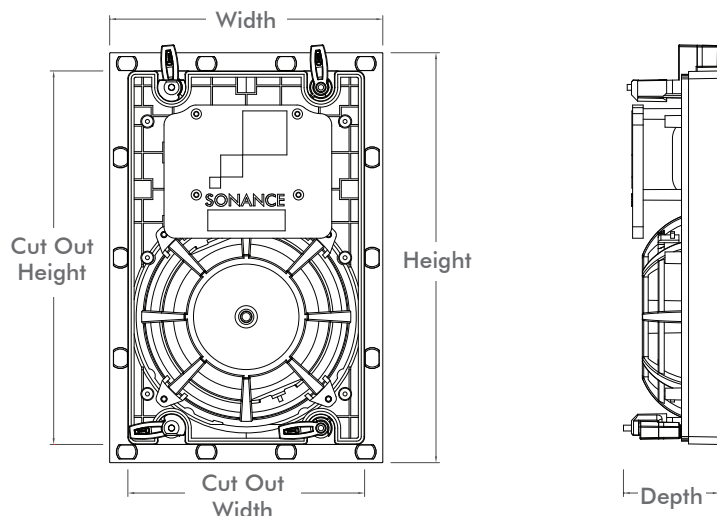
- Easier to access Roto-Lock® screws
- Removed metal hang tabs
- One-piece paintable grille with peel and stick scrim cloth for easier painting
- Two piece toggle feet allows installation with double dry wall and thicker ceiling and wall materials

Specifications

Width:	8 3/8" (213mm)
Height:	12 1/4" (311mm)
Depth:	2 1/2" (64mm)
Cut Out Width:	6 15/16" (176mm)
Cut Out Height:	10 3/4" (273mm)



VP66 TL





SPECIFICATIONS

VP66 TL

SKU	93019
UOM	Pair
Tweeter	1" (25mm) powder coated aluminum dome, Ferrofluid-cooled, pivoting, in acoustic back chamber
Woofer	6 1/2" (165mm) Kevlar / Nomex laminated cone with a rubber surround
Frequency Response	43Hz - 20kHz ± 3dB
Impedance	8 ohms nominal; 6 ohms minimum
Power Handling	5 watts minimum; 140 watts maximum
Sensitivity	90dB (SPL 2.83V/1 meter)
Grille	Perforated steel
Dimensions (Dia. x D)	8 3/8" x 12 1/4" x 2 1/2" (213mm x 311mm x 64mm)
Cut-Out Dimensions (Dia.)	6 15/16" x 10 3/4" (176mm x 273mm)
Shipping Weight	9 lbs (4.1kg) pair

Associated THINLINE Products

Medium Rectangle Flex Bracket
(5 Pair Per Box)

92336



Medium Rectangle Coverplate
(Pair Per Box)

92334



LIMITED LIFETIME WARRANTY

Sonance warrants to the first end-user purchaser that this Sonance-brand product ("Product"), when purchased from an authorized Sonance Dealer/Distributor, will be free from defective workmanship and materials for the life of the Product, except for the grille, which is warranted for five (5) years. Sonance will at its option and expense either repair the defect or replace the Product with a new or remanufactured Product or a reasonable equivalent. **Please visit our website and owner's e-Manual for complete warranty and exclusion information.**



©2015 Sonance. All rights reserved.

Sonance, Visual Performance and Roto-Lock, are registered trademarks of Dana Innovations.

Due to continuous product improvement, all features and specifications are subject to change without notice.

For the latest Sonance product specification information visit our website: www.sonance.com

SONANCE • 991 Calle Amanecer • San Clemente, CA 92673 USA

(949) 492-7777 • FAX: (949) 361-5151 • Technical Support: (949) 492-7777

www.sonance.com