

SONANCE ARCHITECTURAL SERIES®

BPS8 BANDPASS SUBWOOFER WITH BANDPASS CONNECTOR



Award Winning Architectural Series Aesthetic and Best-in-class Sonic Performance

The BPS8 Subwoofer is the latest evolution in the Sonance Architectural Series. Using state-of-the-art materials, the BPS8 delivers clean, powerful bass and the highest level of performance

when paired with the AS68RS in-ceiling speaker. Featuring a trim-less design and completely flush aesthetic, they can be perfectly aligned with downlights and complement any architectural style.

Features and Benefits

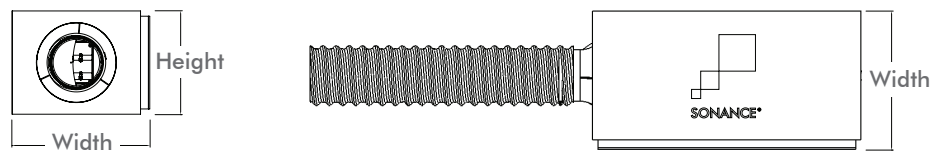
- High-performance dual voice coil 8" high-excursion subwoofer for extended bass response with Sonance in-ceiling speaker systems
- Round or square grille aesthetic to match design cues of the space
- State-of-the-art driver materials combined with cutting-edge design technology ensures clean and accurate tonality and smooth powerful bass response
- Can be powered from dedicated output channel on amplifier for ultimate performance and control
- Or, can be connected in parallel with Sonance in-ceiling speakers for simplified installation
- Compact form factor provides flexibility for mounting in limited areas such as crawl-spaces and ceiling cavities



Specifications

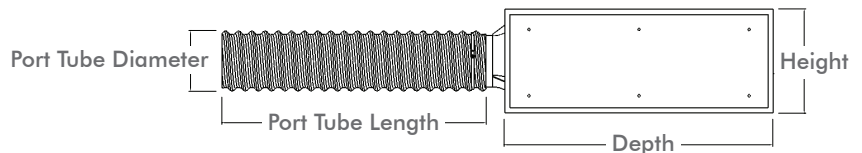
BPS8 Subwoofer

Height: 9 1/4" (235mm)
 Width: 12 5/16" (313mm)
 Depth: 24" (610mm)



BPS8 Port Tube

Diameter: 4 1/2" (114mm)
 Length: 22" (559mm)



ASBPC6RS

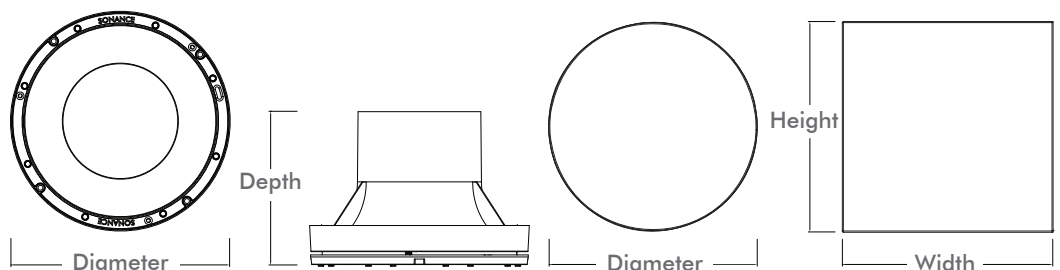
Diameter: 8" (203mm)
 Depth: 4 1/8" (105mm)

AS68RS Round Grille

Diameter: 8" (203mm)

AS68RS Square Grille

Width x Height: 8" x 8"
 (203mm x 203mm)



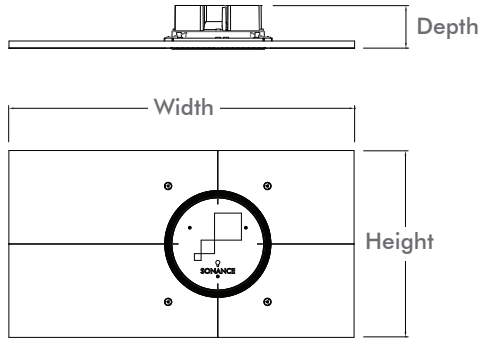
*Round & square grille included with coupler

BPS8 - Mounting Platform Specifications

1/2" Gypsum Mounting Platform AS Medium Round

5/8" Gypsum Mounting Platform AS Medium Round

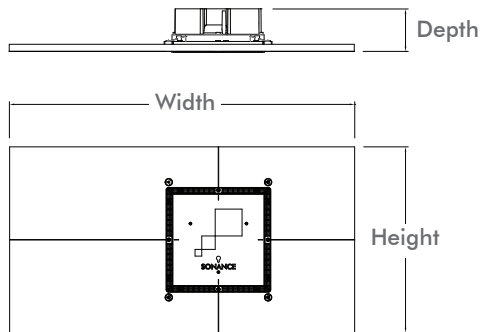
Height: 16 3/8" (416mm)
 Width: 30 13/32" (772mm)
 Depth: 3 13/16" (97mm)



1/2" Gypsum Mounting Platform AS Medium Square

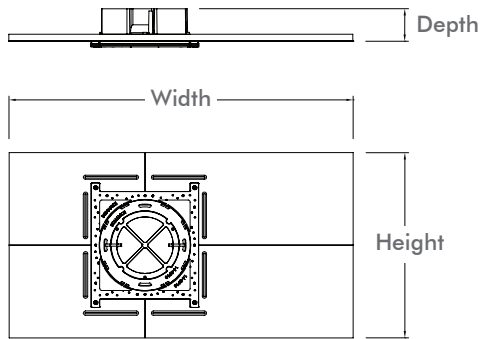
5/8" Gypsum Mounting Platform AS Medium Square

Height: 16 3/8" (416mm)
 Width: 30 13/32" (772mm)
 Depth: 3 13/16" (97mm)



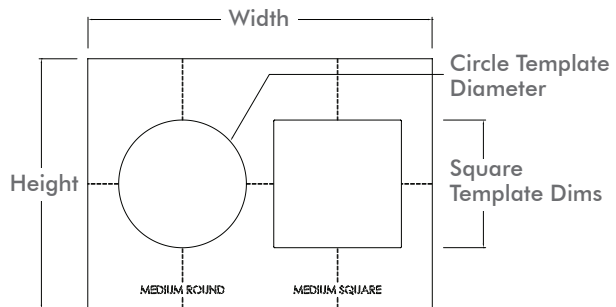
5/8" Solid Surface Mounting Platform AS Medium Round/Square

Height: 16 1/2" (419mm)
 Width: 30 13/32" (772mm)
 Depth: 3 13/16" (97mm)



Solid Surface Router Template AS Medium Round/Square

Height: 16 3/16" (412mm)
 Width: 22 5/16" (566mm)
 Circle Template: 8 1/4" (210mm)*
 Square Template: 8 1/4" (210mm)* x
 8 1/4" (210mm)*

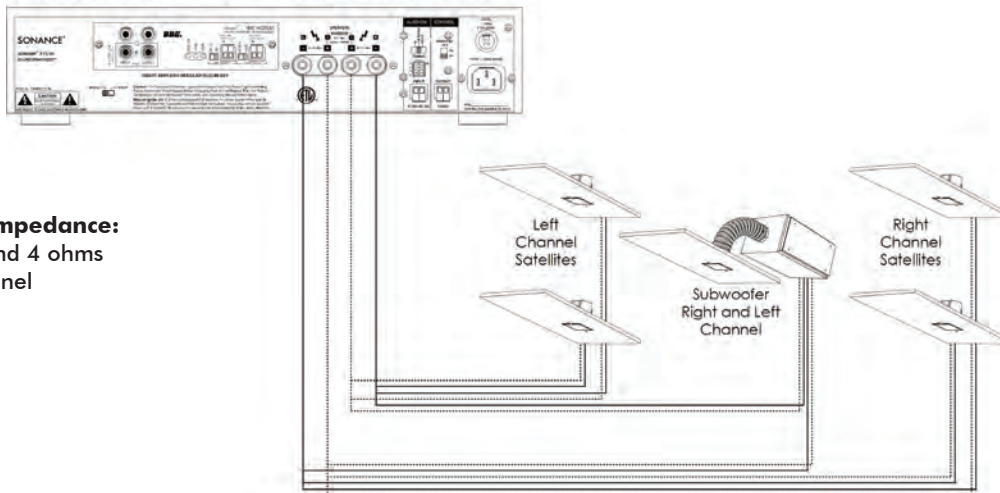


***WARNING:** Opening is NOT actual size of installed product. Must be used with router bushings and bit specified on actual router template.

**See detailed instructions in manual at www.sonance.com/in-wall-in-ceiling/architectural-series

BPS8 System Wiring Option 4.1

AS System Wiring Diagram – 2 channel amplifier

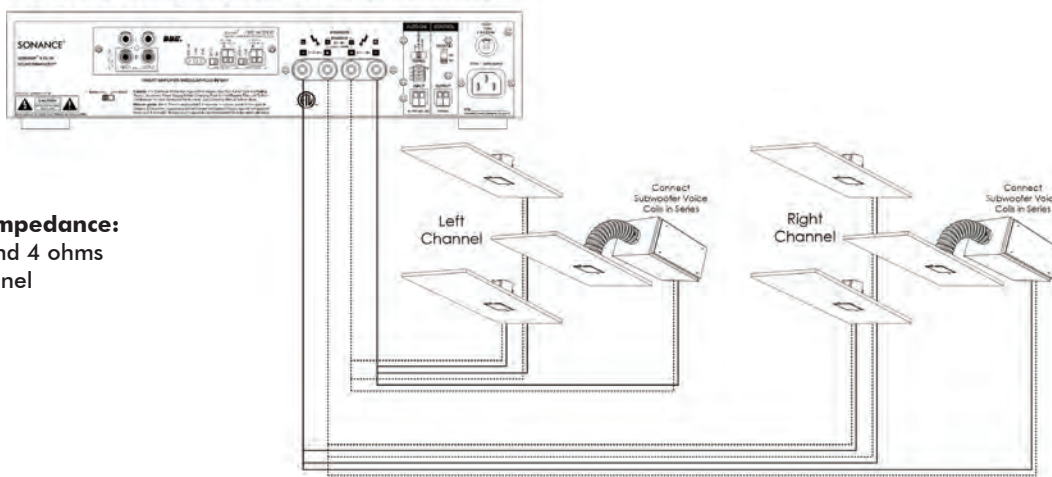


AS68RS System Impedance:
6 ohms nominal and 4 ohms minimum per channel

Home Run Wire To Each Speaker!

BPS8 System Wiring Option 4.2

AS System Wiring Diagram – 2 channel amplifier

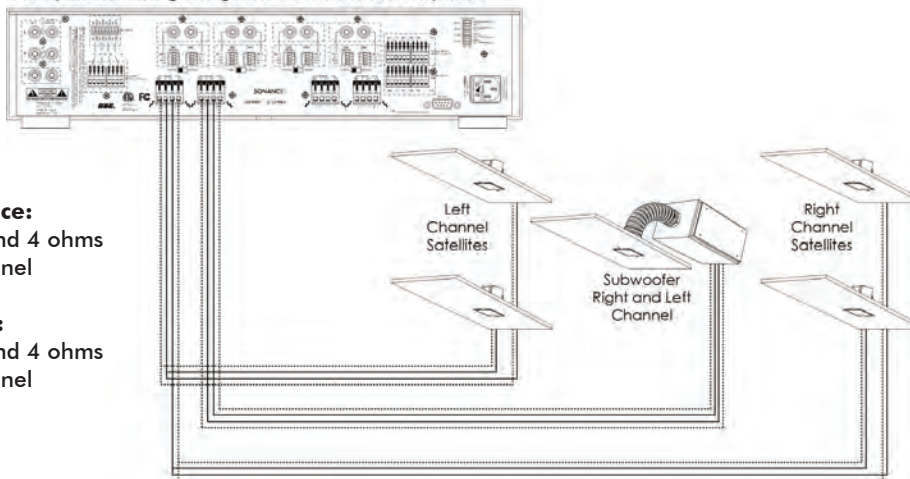


AS68RS System Impedance:
6 ohms nominal and 4 ohms minimum per channel

Home Run Wire To Each Speaker!

BPS8 System Wiring Option 4.1 with Subwoofer on Separate Channel

AS System Wiring Diagram – 8 channel amplifier



AS68RS Impedance:
6 ohms nominal and 4 ohms minimum per channel

BPS8 Impedance:
6 ohms nominal and 4 ohms minimum per channel

Home Run Wire To Each Speaker!



SPECIFICATIONS

BPS8

SKU	93044
UOM	Each
Woofer	8" (203mm) dual voice coil, carbon fiber / Rohacell laminated cone with a rubber surround
Frequency Response	30Hz – 90Hz ±3dB
Impedance	6 ohms nominal; 4 ohms minimum
Power Handling	150 watts maximum
Sensitivity	90dB SPL (2.83V/1 meter)
Dimensions Sub (H x W x D)	9 1/4" x 12 5/16" x 24" (235mm x 313mm x 610mm)
Dimensions Port Tube (Dia. x Length)	4 1/2" x 22" (114mm x 559mm)
Shipping Weight	45 lbs (20.41kg) each



SPECIFICATIONS

ASBPC6RS

SKU	93074
UOM	Each
Grille	Shipped w/ Round 8" (203mm) and Square 8" (203mm) perforated steel grilles
Dimensions (Dia. x D)	8" x 4 1/8" (203mm x 105mm)
Shipping Weight	2 lbs (.94kg) each

Architectural Series Associated Products

1/2" Gypsum Mounting Platform
AS Medium Round
(Each)

93049



5/8" Gypsum Mounting Platform
AS Medium Round
(Each)

93051



Solid Surface Mounting Platform
AS Medium RS
(Each)

93055



1/2" Gypsum Mounting Platform
AS Medium Square
(Each)

93050



5/8" Gypsum Mounting Platform
AS Medium Square
(Each)

93052



Solid Surface Router Template
AS Medium RS
(Pair)

93058



Sonamp 875D MKII Amp. (120V) 92804
(Each)



Sonamp 275 SE Amp. (120V) 92187
(Each)



Sonamp 2120T MKII Amp. (120V) 91122
(Each)



Sonamp 875D MKII Amp. (230V) 92805
(Each)



Sonamp 275 SE Amp. (230V) 92191
(Each)



Sonamp 2120T MKII Amp. (230V) 91602
(Each)



LIMITED WARRANTY

Sonance warrants to the first end-user purchaser that this Sonance-brand Subwoofer product ("Product") and Mounting Platforms, when purchased from an authorized Sonance Dealer/Distributor, will be free from defective workmanship and materials for fifteen (15) years. The Band Pass Connector has a limited lifetime warranty and the grille is warranted for five (5) years. Sonance will at its option and expense either repair the defect or replace the Product with a new or remanufactured Product or a reasonable equivalent.



©2014 Sonance. All rights reserved.

Sonance and Architectural Series are registered trademarks of Dana Innovations.

Due to continuous product improvement, all features and specifications are subject to change without notice. For the latest Sonance product specification information visit our website: www.sonance.com

SONANCE • 212 Avenida Fabricante • San Clemente, CA 92672-7531 USA

(800) 582-7777 or (949) 492-7777 • FAX: (949) 361-5151 • Technical Support: (800) 582-0772

www.sonance.com