

SONANCE

PATIO SERIES OUTDOOR AUDIO SYSTEM

4 SATELLITES | 4 GROUND STAKES | 1 SUBWOOFER | 1 SR 2-125 AMPLIFIER



AESTHETICS

- Non-corroding, high heat ABS sealed enclosure

PERFORMANCE

- 8 Ohms impedance matched system
- Dual voice coil subwoofer
- Perfectly even coverage for comfortable listening in areas up to 1,000 square feet (depending on property layout)

INSTALLATION

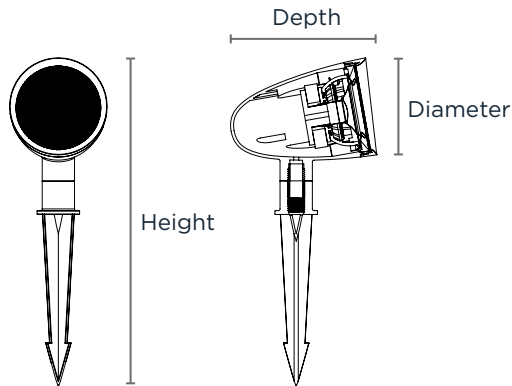
- Compatible with Sonance 19" stake, tree mount, and surface mount accessories
- Complete 4.1 System configuration on a single two-channel amplifier
- Expandable for up to 8.2 configuration

SONANCE PATIO SERIES

DIMENSIONS

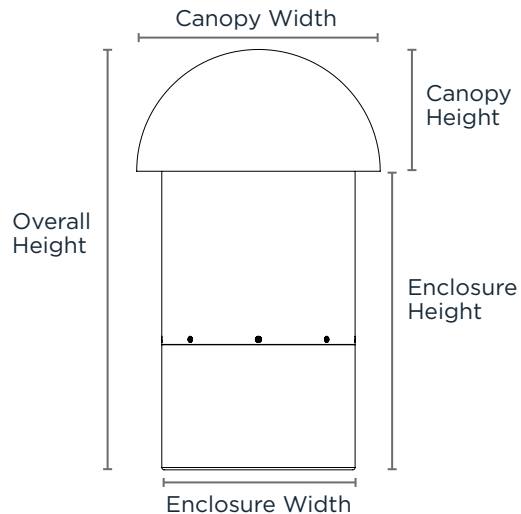
PATIO SAT

Diameter:	4.5" (115mm)
Height:	15.17" (385mm)
Depth:	7.2" (184mm)



PATIO SUB

Canopy Width:	12.4" (315mm)
Enclosure Width:	9.84" (250mm)
Canopy Height:	6.2" (157.5mm)
Enclosure Height:	15.2" (386.2mm)
Overall Height:	21.41" (543.7mm)



SPECIFICATIONS

	PATIO SATELLITE SPEAKER	PATIO SUBWOOFER
Woofer:	3.5" (98mm) Anodized aluminum cone & Santoprene™ surround	8" (203mm) dual voice coil, polypropylene & Santoprene surround
Frequency Response:	40Hz - 20kHz +/-3dB (System)	40Hz - 20kHz +/-3dB (System)
Crossover Frequency:	-	100Hz
Impedance:	30 Ohms nominal	8 Ohms nominal per voice coil
System Impedance:	8 Ohms nominal	8 Ohms nominal
Power Handling:	50 watts minimum; 150 watts maximum	150 Watts
Sensitivity:	85dB 2.83V / 1 meter	89dB Sensitivity @ 2.83V / 1 meter
Enclosure Material:	Non-corroding, high-heat ABS sealed enclosure	Non-corroding, high-heat ABS sealed enclosure
Mounting Threads:	1/2" NPS (National Pipe Standard)	-
Dimensions (L x Dia.):	6.75" L x 4.5" Dia. (171.35mm x 115mm)	21.4" L x 12.4" Dia. x (544mm x 315mm)
Shipping Weight:	68 lbs (31kg) System	68 lbs (31kg) System

LIMITED THREE (3) YEAR WARRANTY

Sonance warrants to the first end-user purchaser that this Sonance-brand product ("Product"), when purchased from an authorized Sonance Dealer/Distributor, will be free from defective workmanship and materials for the period stated above. Sonance will, at its option and expense, either repair the defect or replace the Product with a new or remanufactured Product or a reasonable equivalent. **Please visit our website and owner's e-Manual for complete warranty and exclusion information.**

©2020 Sonance. All rights reserved. Sonance is a registered trademarks of Dana Innovations. Due to continuous product improvement, all features and specifications are subject to change without notice. For the latest Sonance product specification information visit our website: www.sonance.com