

# OUTDOOR

## VISUAL PERFORMANCE® EXTREME

### VPXT6R

### Overview

Sonance Visual Performance Extreme speakers are the perfect choice for the most demanding environments. The VP Extreme line combines best-in-class audio performance with a new grille retention system that ensures the grille holds securely in place. They are built to withstand extreme temperatures from -30°F to +175°F (34°C to +79°C) and conform to Military Standard 810G and IP-66 ratings making them the ideal solution for bathrooms, patios and marine environments.

### Key Features

#### Aesthetics

- Elegant, sleek appearance disappears into any space
- Paintable grille to match surroundings
- Optional square adapter (sold separately)

#### Performance

- Developed using cutting edge design and computer modeling software
- Consistent tonality across all listening levels
- Clear and natural treble
- High excursion polypropylene/graphite woofer produces smooth effortless bass

#### Installation

- One-piece powder coated stainless steel grille
- Simplified single-step grille painting process
- Two-piece Roto-Lock® toggle feet
- New XPC Grille Retention Technology® ensures the grille holds securely in place

#### Environmental

- Environmental Temperature: -30°F to +175°F (34°C to +79°C)
- Conforms to Military Standard 810G for humidity, salt spray, temperature and UV
- IP-66 rating for protection against heavy seas and powerful jets of water



VPXT6R



Round Grille  
Front

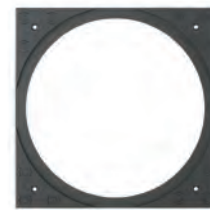


Round Grille  
Back

### Optional Square Adapter with Grille (sold separately)



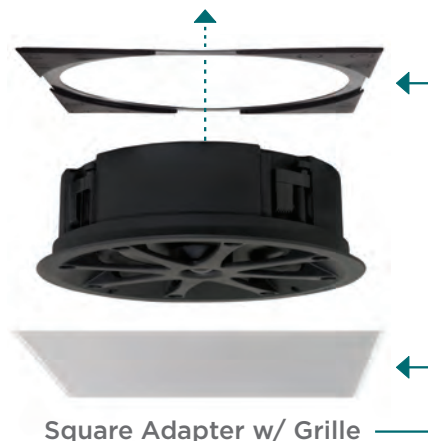
Square Grille  
Front



Square Adapter  
Front



Square Adapter  
w/ Grille Back

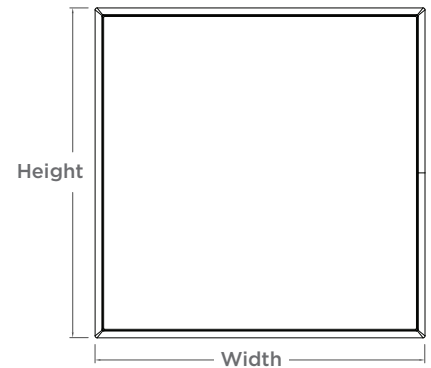
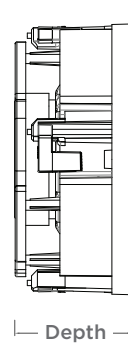
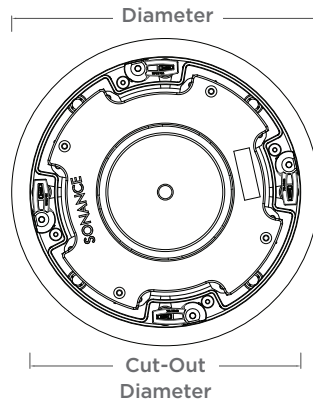


Square Adapter w/ Grille

## Dimensional Sketches Specifications

**Diameter:** 9 3/4" (248mm)  
**Depth:** 3 1/2" (89mm)  
**Cut-Out Diameter:** 8 1/4" (210mm)

**WITH SQUARE ADAPTER & GRILLE**  
**Width:** 9 5/32" (233mm)  
**Height:** 9 5/32" (233mm)



## Specifications

**SKU:** 93339  
**Unit of Measure:** Pair  
**Tweeter:** 1" (25mm) polyurethane dome, Ferrofluid cooled, in acoustic back chamber  
**Woofers:** 6 1/2" (165mm) injection-molded polypropylene/graphite cone, with integral Santoprene™ surround  
**Frequency Response:** 45Hz - 20kHz ±3dB  
**Impedance:** 8 Ohms nominal; 6 Ohms minimum  
**Power Handling:** 5 Watts minimum; 125 Watts maximum  
**Sensitivity:** 89dB SPL (2.83V/1 meter)  
**Environmental:** Conforms to Military Standard 810G for humidity, salt spray, temperature and UV, IP-66 waterproof rating  
**Environmental Temp:** -30° to +175°F (-34°C to +79°C)  
**Speaker Depth:** 3 1/2" (89mm)  
**Dimensions:** 9 3/4" (248mm)  
**Cut-Out Dimensions:** 8 1/4" (210mm)  
**Grille Material:** Powder-coated stainless steel  
**Shipping Weight:** 12 lbs (5.4 kg) pair

## Recommended Products

VPXT6SQ Square Adapter w/ grille 93342 (Pair Per Box)



Medium Round Retrofit Enclosure 92343 (Pair Per Box)



Medium Round Acoustic Enclosure 91688 (Each)



Medium Round Flex Bracket 92337 (5 Pair Per Box)



Medium Round Coverplate 92335 (Pair Per Box)



### LIMITED FIVE (5) YEAR WARRANTY

Sonance warrants to the first end-user purchaser that this Sonance-brand product ("Product"), when purchased from an authorized Sonance Dealer/Distributor, will be free from defective workmanship and materials for the period stated below. Sonance will at its option and expense during the warranty period, either repair the defect or replace the Product with a new or remanufactured Product or a reasonable equivalent. Warranty Period for this Product: Five (5) years from the date on the original sales receipt or invoice or other satisfactory proof of purchase.



©2017 Sonance. All rights reserved.

Sonance and Visual Performance are registered trademarks of Dana Innovations.

Due to continuous product improvement, all features and specifications are subject to change without notice.

For the latest Sonance product specification information visit our website: [www.sonance.com](http://www.sonance.com)

SONANCE • 991 Calle Amanecer • San Clemente, CA 92673 USA  
 (949) 492-7777 • FAX: (949) 361-5151 • Technical Support: (949) 492-7777  
[www.sonance.com](http://www.sonance.com)