

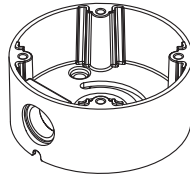
Installation Guide

CVCJBB / CVCJBBW

Bullet Junction Box

Compatible Models

- CVC5100BPVF, CVC5200BPVF
- CVC5815DNDV, CVC5915DNDV
- HTINTB8, HTINTB9, HTINTB10
- HTINTB8G, HTINTB10G
- HTB11FFi
- HT5100BPVFG, HT5200BPVFG
- OB1, OINT56B1G



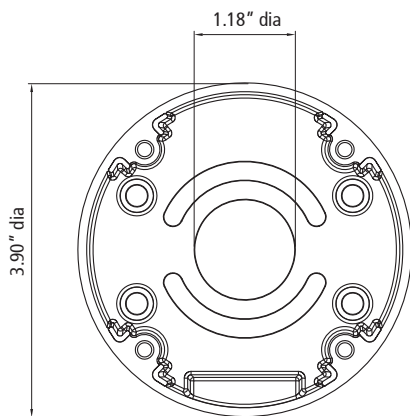
Package Contents

The following items are included in this package.

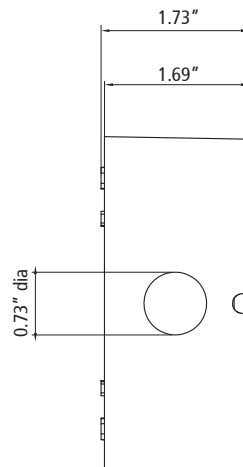
- CVCJBB / CVCJBBW
- 1 Base Sponge Gasket
- 4 Tapping Screws #8 x 25
- 4 Hexagon Socket Screws M5 x 10

Dimensions

Front View

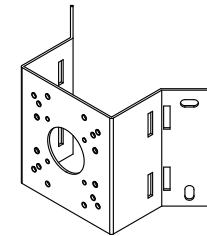


Side View



Optional Accessories

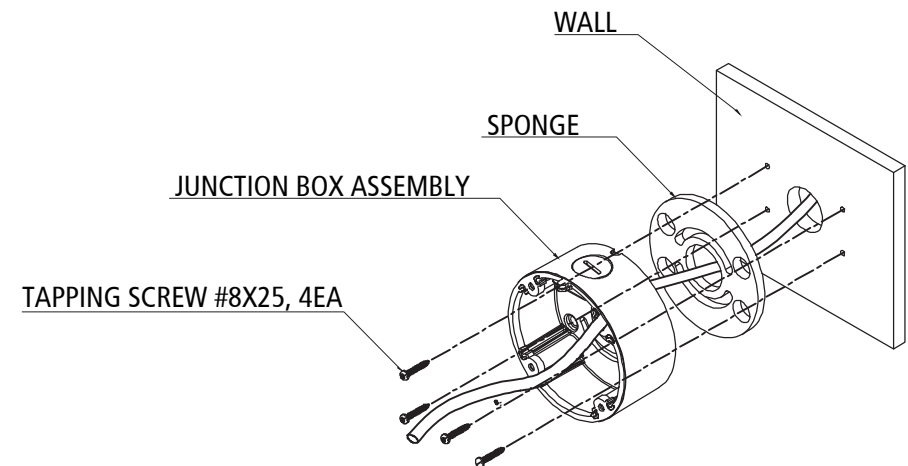
INTCM



Pole/Corner Mount

Installation Instruction Diagram

1-1. Install junction box onto the wall by using the screws provided.

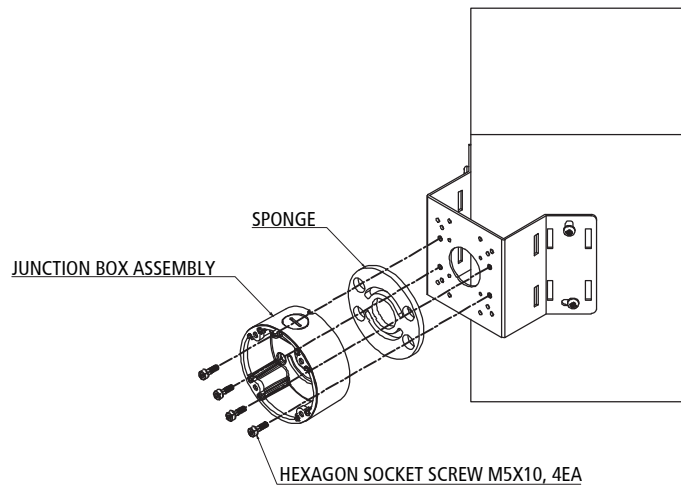


Installation Guide

CVCJBB / CVCJBBW

Installation Instruction Diagram

- 1-2. Install INTCM onto pole or wall.
- 1-3. Install junction box onto INTCM as shown in the image below.



2. Arrange each piece as shown in the image below.
3. Fasten the camera onto the junction box.

