

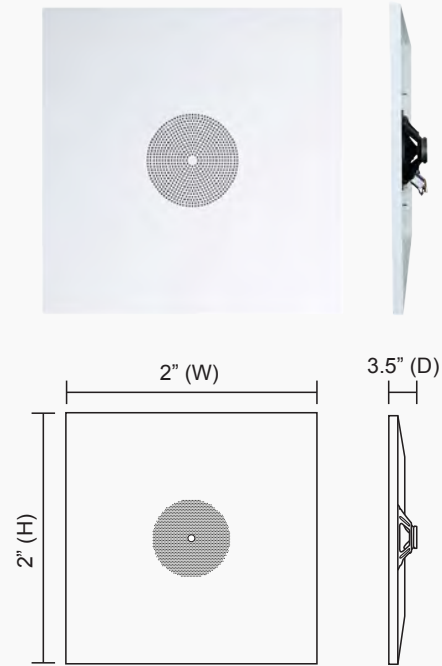
## 86 Series - 70/25V 2'x2' Grille In-Ceiling Contractor Speaker

**G86TG2X2** 8" 70/25V 2'x2' grille in-ceiling speaker

**G86TG2X2C** 8" 70/25V 2'x2' grille in-ceiling speaker with volume control knob

### Features

- Square style white steel grille
- 70/25V transformer with colored leads
- "C" models features volume control knob centered on grille
- Lifetime warranty



### Specifications

	<b>G86TG2X2</b>	<b>G86TG2X2C</b>
RMS Power .....	10W	10W
Max. Power.....	15W	15W
Transformer Type .....	70/25V	70/25V
Transformer Power Type .....	5W, 2.5W, 1W, 0.5W, 0.25W & 8 Ohms	5W, 2.5W, 1W, 0.5W, 0.25W & 8 Ohms
Termination Type .....	Colored leads	Colored leads
Sensitivity (1W/1M).....	90dB	90dB
Maximum SPL (Pax/1M).....	100dB	100dB
Driver Impedance .....	8 Ohms	8 Ohms
Magnet.....	5 oz. ferrite	5 oz. ferrite
Frequency Response Range.....	85Hz ~ 20kHz	85Hz ~ 20kHz
Dispersion @ 1000Hz.....	120° Conical	120° Conical
Driver .....	8" paper cone woofer, .8" dual cone tweeter	8" paper cone woofer, .8" dual cone tweeter
Speaker Dimensions.....	2" (W) x 2" (H) x 3.5" (D)	2" (W) x 2" (H) x 3.5" (D)
Minimum Mounting Depth.....	2.7"	2.7"
Weight .....	10.5 lbs.	10.6 lbs.
Material.....	Grille: steel	Grille: steel
Color.....	Off-White	Off-White

### Optional Accessory



**STH8**  
Heavy Gauge  
Steel Backcan

Speco Technologies is constantly developing and improving products. We reserve the right to modify product design and specifications without notice and without incurring any obligation. Spec Rev. 11/3/14