

# Installation Guide

## JB02DG / JB02DW

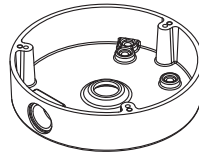
speco technologies®

200 New Highway, Amityville NY 11701  
800.645.5516 / www.specotech.com

### Dome Junction Box

#### Compatible Models

- CVC5735DNI/W
- CVC5835DNI/W
- CVC5935DNI/W

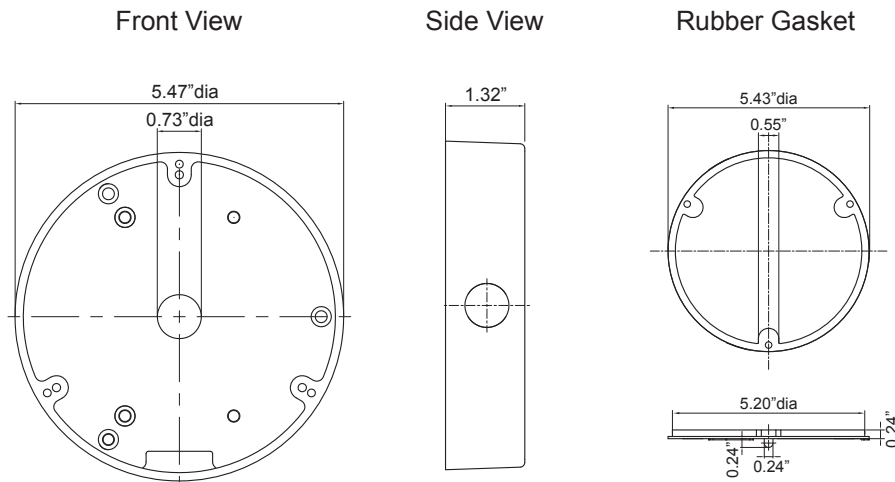


#### Package Contents

The following items are included in this package.

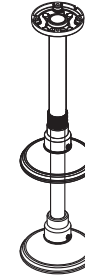
- JB02DG / JB02DW
- 1 Base Sponge Gasket
- 4 Tapping Screws 4x25
- 4 Machine Screws M4x20
- 1 Hexagon Socket Screw M5x8
- 1 Rubber Gasket

#### Dimensions



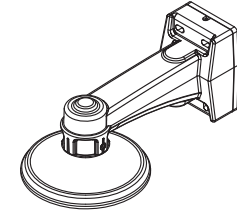
#### Optional Accessories

INTPM



Pendant Mount

INTWM



Wall Mount

#### Installation Instruction Diagram

1-1. Install junction box onto the ceiling by using the screws provided.

